

## Pushbutton Enclosures

### Sloped-Front 30.5-mm and 22.5-mm Pushbutton Enclosures, Type 12



#### Application

These Sloped Front Pushbutton Enclosures are designed to hold 30.5-mm or 22.5-mm pushbuttons and switches where slanted control surfaces are desired.

#### Specifications

- 14 gauge steel
- Seams continuously welded and ground smooth
- Captivated cover screws thread into sealed wells
- Grounding nut in body of enclosure
- Bonding provision on cover
- Oil-resistant gasket
- Factory stamped 4-way pushbutton holes
- Enclosures 7.25 x 6.25 x 6.75 in. (184 x 159 x 171 mm) and larger have internal detachable hinge to hold cover open during wiring, yet permit immediate removal
- External mounting brackets

#### Finish

ANSI 61 gray polyester powder paint inside and out

#### Accessories

See also *Accessories*.  
Industrial Corrosion Inhibitors  
HOL-SEALERS™ Hole Seals  
Tamper-Resistant Screws

Bulletin: PB1

#### Industry Standards

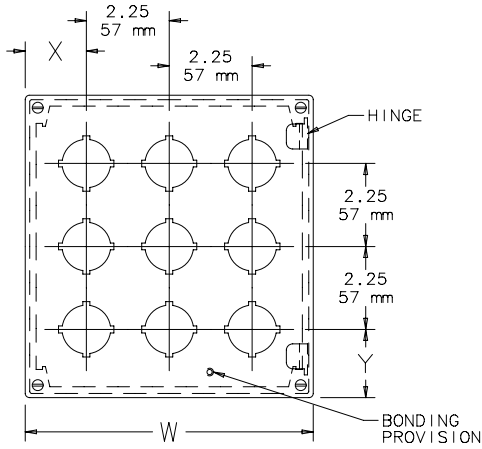
UL 508A Listed; Type 12, 13; File No. E61997  
cUL Listed per CSA C22.2 No. 94; Type 12, 13; File No. E61997

NEMA/EEMAC Type 12, 13  
CSA File Number 42186: Type 12  
IEC 60529, IP65

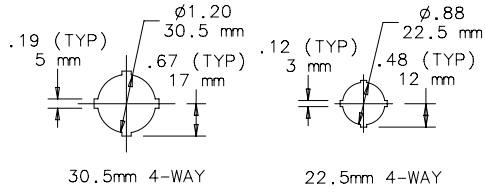
#### Standard Product

Catalog Number	Ax B x C (in.)		Ax B x C (mm)		Hole Size (mm)	Number of Holes	Mounting G x H (in.)	Mounting G x H (mm)	Overall L x W (in.)		Overall L x W (mm)		N (in.)	N (mm)	P (in.)	P (mm)	T (in.)	T (mm)	X (in.)	X (mm)	Y (in.)	Y (mm)				
	1	2	1	2					1	2	1	2														
E1PBA	3.50	3.25	4.84	89	83	123	30.5	1	4.03	2.38	102	60	4.53	3.47	115	88	3.53	90	3.34	85	3.00	76	1.73	44	1.86	47
E1PBAM	3.50	3.25	4.84	89	83	123	22.5	1	4.03	2.38	102	60	4.53	3.47	115	88	3.53	90	3.34	85	3.00	76	1.73	44	1.86	47
E2PBA	3.50	5.50	4.84	89	140	123	30.5	2	4.03	4.62	102	117	4.53	5.72	115	145	3.53	90	3.34	85	5.25	133	1.73	44	1.86	47
E2PBAM	3.50	5.50	4.84	89	140	123	22.5	2	4.03	4.62	102	117	4.53	5.72	115	145	3.53	90	3.34	85	5.25	133	1.73	44	1.86	47
E3PBA	3.50	7.75	4.84	89	197	123	30.5	3	4.03	6.88	102	175	4.53	7.97	115	202	3.53	90	3.34	85	7.50	191	1.73	44	1.86	47
E3PBAM	3.50	7.75	4.84	89	197	123	22.5	3	4.03	6.88	102	175	4.53	7.97	115	202	3.53	90	3.34	85	7.50	191	1.73	44	1.86	47
E4PBA	3.50	10.00	4.84	89	254	123	30.5	4	4.03	9.12	102	232	4.53	10.22	115	260	3.53	90	3.34	85	9.75	248	1.73	44	1.86	47
E4PBAM	3.50	10.00	4.84	89	254	123	22.5	4	4.03	9.12	102	232	4.53	10.22	115	260	3.53	90	3.34	85	9.75	248	1.73	44	1.86	47
E4SPBA	7.25	6.25	6.75	184	159	171	30.5	4	7.28	5.38	185	137	7.78	6.47	198	164	6.78	172	5.22	133	6.00	152	2.11	54	2.61	66
E4SPBAM	7.25	6.25	6.75	184	159	171	22.5	4	7.28	5.38	185	137	7.78	6.47	198	164	6.78	172	5.22	133	6.00	152	2.11	54	2.61	66
E6PBA	7.25	8.50	6.75	184	216	171	30.5	6	7.28	7.62	185	194	7.78	8.72	198	221	6.78	172	5.22	133	8.25	210	2.11	54	2.61	66
E6PBAM	7.25	8.50	6.75	184	216	171	22.5	6	7.28	7.62	185	194	7.78	8.72	198	221	6.78	172	5.22	133	8.25	210	2.11	54	2.61	66
E8PBA	7.25	10.75	6.75	184	273	171	30.5	8	7.28	9.88	185	251	7.78	10.97	198	279	6.78	172	5.22	133	10.50	267	2.11	54	2.61	66
E8PBAM	7.25	10.75	6.75	184	273	171	22.5	8	7.28	9.88	185	251	7.78	10.97	198	279	6.78	172	5.22	133	10.50	267	2.11	54	2.61	66
E9PBA	9.50	8.50	7.88	241	216	200	30.5	9	9.25	7.62	235	194	9.73	8.72	247	221	8.73	222	6.34	161	8.25	210	2.11	54	2.61	66
E9PBAM	9.50	8.50	7.88	241	216	200	22.5	9	9.25	7.62	235	194	9.73	8.72	247	221	8.73	222	6.34	161	8.25	210	2.11	54	2.61	66
E10PBA	7.25	13.00	6.75	184	330	171	30.5	10	7.28	12.12	185	308	7.78	13.22	198	336	6.78	172	5.22	133	12.75	324	2.11	54	2.61	66
E10PBAM	7.25	13.00	6.75	184	330	171	22.5	10	7.28	12.12	185	308	7.78	13.22	198	336	6.78	172	5.22	133	12.75	324	2.11	54	2.61	66
E12PBA	7.25	15.25	6.75	184	387	171	30.5	12	7.28	14.38	185	365	7.78	15.47	198	393	6.78	172	5.22	133	15.00	381	2.11	54	2.61	66
E12PBAM	7.25	15.25	6.75	184	387	171	22.5	12	7.28	14.38	185	365	7.78	15.47	198	393	6.78	172	5.22	133	15.00	381	2.11	54	2.61	66
E12SPBA	11.75	8.50	9.00	298	216	229	30.5	12	11.19	7.62	284	194	11.69	8.72	297	221	10.69	272	7.47	190	8.25	210	2.11	54	2.61	66
E12SPBAM	11.75	8.50	9.00	298	216	229	22.5	12	11.19	7.62	284	194	11.69	8.72	297	221	10.69	272	7.47	190	8.25	210	2.11	54	2.61	66
E16SPBAH	7.25	19.75	6.75	184	502	171	30.5	16	7.28	18.88	185	480	7.78	19.97	198	507	6.78	172	5.22	133	19.50	495	2.11	54	2.61	66
E16SPBAHM	7.25	19.75	6.75	184	502	171	22.5	16	7.28	18.88	185	480	7.78	19.97	198	507	6.78	172	5.22	133	19.50	495	2.11	54	2.61	66
E16PBA	11.75	10.75	9.00	298	273	229	30.5	16	11.19	9.88	284	251	11.69	10.97	297	279	10.69	272	7.47	190	10.50	267	2.11	54	2.61	66
E16PBAM	11.75	10.75	9.00	298	273	229	22.5	16	11.19	9.88	284	251	11.69	10.97	297	279	10.69	272	7.47	190	10.50	267	2.11	54	2.61	66
E20PBA	11.75	13.00	9.00	298	330	229	30.5	20	11.19	12.12	284	308	11.69	13.22	297	336	10.69	272	7.49	190	12.75	324	2.11	54	2.61	66
E20PBAM	11.75	13.00	9.00	298	330	229	22.5	20	11.19	12.12	284	308	11.69	13.22	297	336	10.69	272	7.49	190	12.75	324	2.11	54	2.61	66
E25PBA	14.00	13.00	10.12	356	330	257	30.5	25	13.12	12.12	333	308	13.62	13.22	346	336	12.62	321	8.59	218	12.75	324	2.11	54	2.61	66
E25PBAM	14.00	13.00	10.12	356	330	257	22.5	25	13.12	12.12	333	308	13.62	13.22	346	336	12.62	321	8.59	218	12.75	324	2.11	54	2.61	66
E30PBA	14.00	15.25	10.12	356	387	257	30.5	30	13.12	14.38	333	365	13.62	15.47	346	393	12.62	321	8.59	218	15.00	381	2.11	54	2.61	66
E30PBAM	14.00	15.25	10.12	356	387	257	22.5	30	13.12	14.38	333	365	13.62	15.47	346	393	12.62	321	8.59	218	15.00	381	2.11	54	2.61	66

# Pushbutton Enclosures

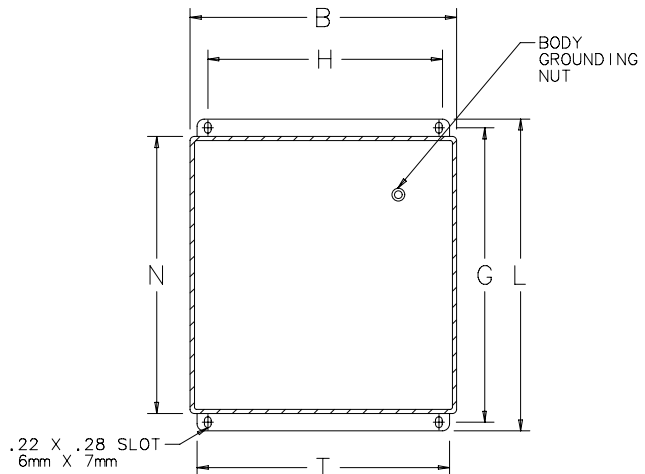
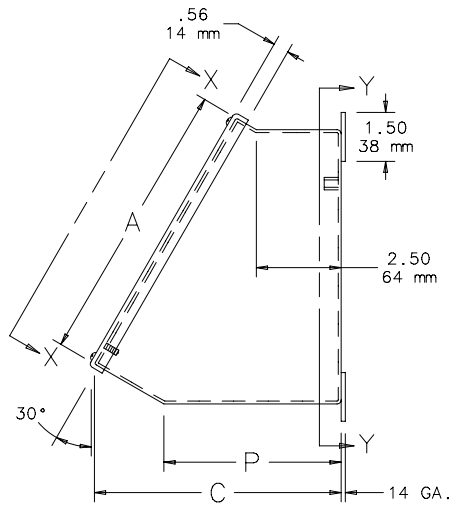


VIEW X-X



30.5mm 4-WAY

22.5mm 4-WAY



SECTION Y-Y

Hole Arrangement

