

CONCEPT™ WITH QUARTER-TURN LATCHES DISCONNECT ENCLOSURE, TYPE 4X

INDUSTRY STANDARDS

Mounting brackets required to meet UL/cUL external mounting requirement.

UL 508A Listed; Type 3R, 4, 4X, 12; File No. E61997
 cUL Listed per CSA C22.2 No. 94; Type 3R, 4, 4X, 12; File No. E61997

NEMA/EEMAC Type 3R, 4, 4X, 12, 13
 IEC 60529, IP66
 Meets NEMA Type 3RX requirements

APPLICATION

For use in disconnect applications that require larger controls and stylized design features, CONCEPT™ Disconnect Enclosures feature two additional quarter-turn latches and a door-alignment device for secure closure and security.

Furnished with Enclosures

1. Door interlock bracket welded to door
2. Door latching system (2-point or 3-point) installed on door
3. Instructions to locate and install disconnect
4. Hardware kit consisting of padlocking door handle, panel mounting nuts, grounding hardware, and sealing washers for mounting holes

SPECIFICATIONS

- 14 gauge Type 304 stainless steel
- Seams continuously welded and ground smooth
- External-formed 90-degree body flange
- Integral door alignment device to properly align door and gasket to body flange
- Holes provided in body for mounting disconnect operating handle and operating mechanism
- Panel mounting studs fit optional CONCEPT panels and other accessories (purchase panels separately)
- Mounting holes in back of body for direct mounting or for optional external mounting brackets
- Stainless steel hidden hinges
- Standard full-access door opening
- Corner-formed doors are interchangeable and easily removable by pulling captive hinge pins
- Provisions on door for optional high-impact thermoplastic data pocket
- Seamless foam-in-place gasket
- Door latching system (2- or 3-point) installed on door and interlocks with the disconnect handle for added safety
- Interlock bracket welded to door
- Unique integrated door handle with tool-to-open feature and padlock option installed on door
- Self-grounding latch system with double seal
- Bonding provision on door; grounding stud on body
- Includes hardware kit (consisting of padlocking door handle, panel mounting nuts, grounding hardware and sealing washers for mounting holes) and instructions for installing disconnects

FINISH

Sides and body have smooth #4 brushed finish. Optional mild steel panels are painted white. Handle is die-cast with black textured polyester powder paint.

ACCESSORIES

See also *Accessories*.
 Blank Adapter Plates, Stainless Steel
 Compact Cooling Fans
 Mounting-Bracket Kits
 PANELITE™ Enclosure Lights Overview
 CONCEPT™ Panels
 Steel and Stainless Steel Window Kits

MODIFICATION AND CUSTOMIZATION

Hoffman excels at modifying and customizing products to your specifications. Contact your local Hoffman sales office or distributor for complete information.

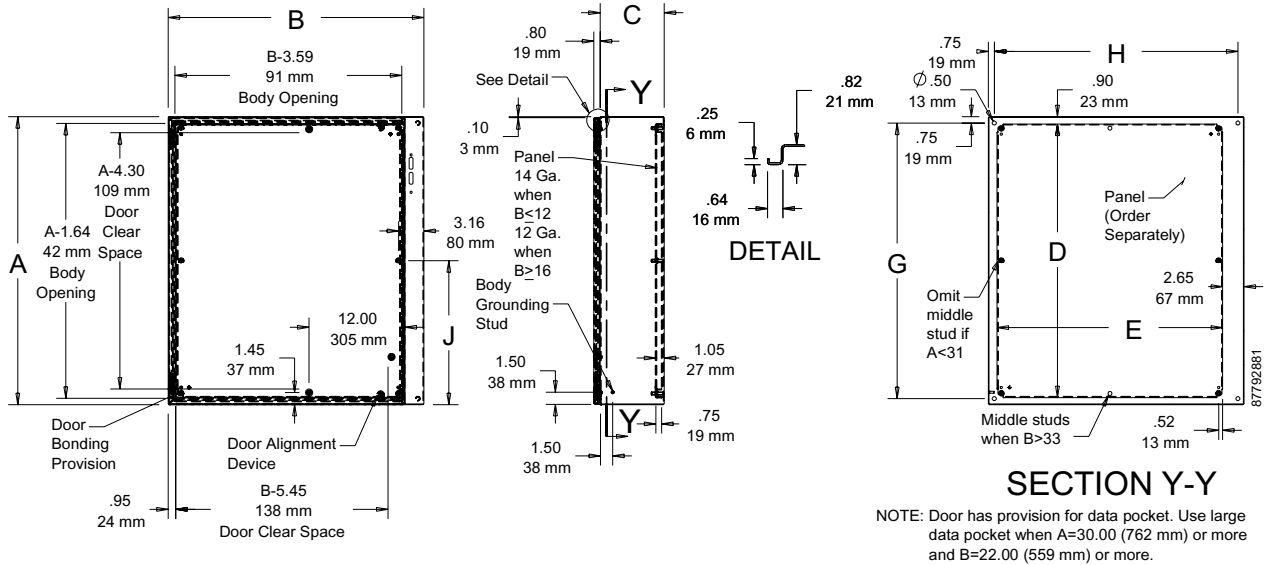
BULLETIN: CWSD

Standard Product

Catalog Number	AxBxC in.	AxBxC mm	Stainless		CONCEPT Panel	Conductive Panel	Panel Size D x E (in.)	Panel Size D x E (mm)	Mounting G x H (in.)	Mounting G x H (mm)	Latches Style	J (in.)	J (mm)
			Steel Type	Door Gauge									
CDSC36328SSR	36.00 x 32.00 x 8.00	914 x 813 x 203	304	14	CP3630	CP3630G	34.20 x 28.20	869 x 716	34.50 x 30.50	869 x 775	1 - 2-point	6.00	152
CDSC423212SSR	42.00 x 32.00 x 12.00	1067 x 813 x 305	304	14	CP4230	CP4230G	40.20 x 28.20	1021 x 716	40.50 x 30.50	1029 x 775	1 - 3-point	21.00	533
CDSC423812SSR	42.00 x 38.00 x 12.00	1067 x 965 x 305	304	14	CP4236	CP4236G	40.20 x 34.20	1021 x 869	40.50 x 36.50	1029 x 927	1 - 3-point	21.00	533
CDSC483812SSR	48.00 x 38.00 x 12.00	1219 x 965 x 305	304	14	CP4836	CP4836G	46.20 x 34.20	1173 x 869	46.50 x 36.50	1181 x 927	1 - 3-point	24.00	610
CDSC603812SSR	60.00 x 38.00 x 12.00	1524 x 965 x 305	304	14	CP6036	CP6036G	58.20 x 34.20	1478 x 869	58.50 x 36.50	1486 x 927	1 - 3-point	30.00	762

Enclosure doors have 2 quarter-turn latches and a handle with 2- or 3-point latch.

Purchase panels separately. Optional plated CONCEPT panels available. Optional NEMA style and stainless steel panels require conversion kit catalog number CCPM4.



DISCONNECT MOUNTING SPACE

Disconnects will occupy space on panel shown by dimensions E1, F1 and G1. Wiring space W1 is available when disconnect is installed in the enclosure.

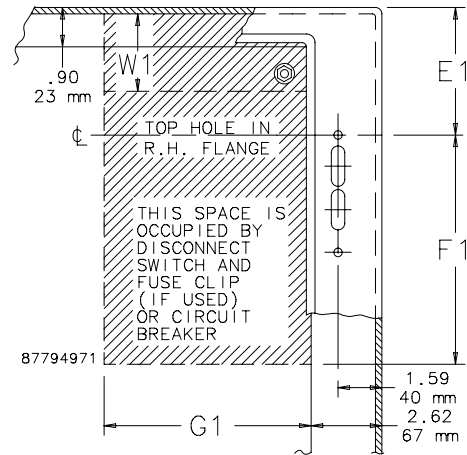
E1 = 4.75 in. (121 mm) when C = 8.00 in. (203 mm)
 E1 = 11.62 in. (294 mm) when C = 12.00 in. (305 mm)
 W1 = Wiring Space.

See *Technical Information for wire bend space.*

Refer to **NATIONAL ELECTRICAL CODE, 2005** article 430-10(b) for wiring space required for line side conductors to be connected to disconnect.

Verify your application to determine whether wiring space is adequate.

Consult Space Occupied by Disconnect drawing to determine whether the disconnect device you are using will fit the enclosure size you have selected.



Consult disconnect manufacturer or see Disconnect Ordering Information at hoffmanonline.com under Technical Resources for F1 and G1 dimensions of various brands of disconnects.

PREFERRED-CUTOUT OVERVIEW



APPLICATION

Enclosures having the preferred cutout are sized for use with up to 200A disconnect switches and up to 400A circuit breakers unless otherwise specified. The preferred cutout accepts the smaller operating handle whose mounting hole centers are 4.688 in. apart. Preferred cutouts are standard in mild steel wall-mount enclosures, modular enclosures and some select large mild steel enclosures. They are also present on all standard stainless steel offerings. Mild steel operator adapter plates with brand specific preferred cutouts are available for enclosures with a rectangular universal cutout.

Preferred cutouts are designed to house the following:

Allen-Bradley

- Bulletin 1494V disconnect switches with flange-mount variable-depth operating mechanisms and Bulletin 1494V flange-mount variable-depth operating mechanisms for circuit breakers
 - Bulletin 140U flexible cable operating mechanisms for 140U molded case circuit breakers
 - Bulletin 1494C cable-operated disconnect switches with flange-mount handles
 - Bulletin 194RC cable-operated flange-mount handles for use with the NFPA 79 compliant 194R IEC rotary disconnect switches
- Allen-Bradley Bulletin 1494V-R1, -R2 and -W2 operating handles and Allen-Bradley Bulletin 1494F disconnect devices or Bulletin 1494D circuit breaker operators will NOT fit these enclosures.*

ABB Controls flange-mount variable-depth operating mechanisms for disconnect switches and circuit breakers. Also the cable version for circuit breakers.

Eaton Cutler-Hammer Type C361 flange-mount variable-depth operating mechanisms with disconnect switches and Type C371 flange-mount variable-depth operating mechanisms for circuit breakers.

General Electric Type STDA flange handles and variable-depth operating mechanisms for disconnect switches and circuit breakers. Also SPECTRAFLEX™ cable operators for circuit breakers.

Siemens ITE MAX FLEX® flange-mount variable-depth operating handles for circuit breakers.

Schneider Square D® Class 9422 disconnect switches with flange-mount variable-depth operating mechanisms or cable mechanisms and Class 9422 flange-mount variable-depth operating mechanisms or cable mechanisms for circuit breakers.

These enclosures will NOT accept Square D Class 9422 bracket-mounted disconnect devices, Class 9422TG1 or TG2 devices.

ORDERING

The disconnect switch, operating handle, and operating mechanism must be ordered from disconnect equipment supplier. See Technical Information in the Hoffman Specifier's Guide for wire bend space available when various manufacturers' disconnect switches are installed, or Disconnect Ordering Information at hoffmanonline.com for disconnect ordering guidelines and wire bend space available. Check the enclosure dimension drawings to verify the chosen disconnect switch will fit in the enclosure.