

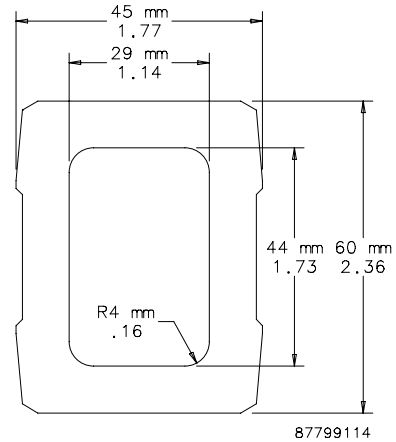
COMPACT® Pendant Arm Series 2

Tubes



Hollow aluminum extrusion available in 500-, 1000- and 1500-mm lengths. Connection components fastened to support arm with set screws. DIN 59411 and 2395.

Bulletin: CS4



87799114

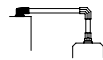
Catalog Number	AxBxC in./mm	Length in./mm	External Dimensions		Wall Thickness Dimensions		Inside Cross Section (cm ²)	Inside Cross Section (in. ²)	Weight (lb.)
			in./mm	in./mm	in./mm	in./mm			
CCS2T5	19.68 x 1.77 x 2.36	19.68	1.77 x 2.36	0.31	12.65	1.96	4.5		
	500 x 45 x 60	500	45 x 60	8					
CCS2T10	39.37 x 1.77 x 2.36	39.37	1.77 x 2.36	0.31	12.65	1.96	9.0		
	1000 x 45 x 60	1000	45 x 60	8					
CCS2T20	59.06 x 1.77 x 2.36	59.06	1.77 x 2.36	0.31	12.65	1.96	14.0		
	1500 x 45 x 60	1500	45 x 60	8					

Set-Up Joint

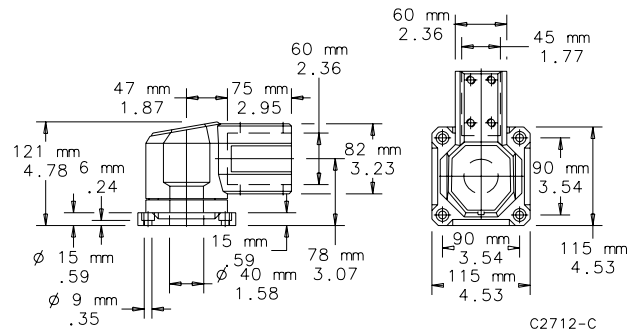


Joint includes access plate for easy wire installation. Turning range of 300 degrees. Cast aluminum with RAL 7035 light-gray polyester powder paint finish. Setscrews, gasket and removable access plate included. Mounting fasteners are not provided.

Bulletin: CS4



Catalog Number	Weight (lb.)
CCS2S1LG	4.0



C2712-C

Wall Joint (Vertical)

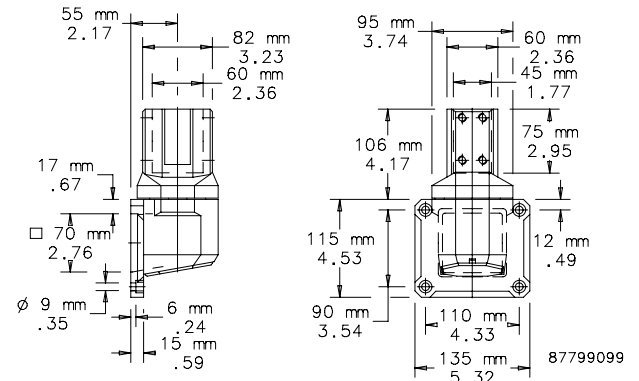


Vertical joint includes access plate for easy wire installation. Turning range of 300 degrees. Cast aluminum with RAL 7035 light-gray polyester powder paint finish. Setscrews, gasket and removable access plate included. Mounting fasteners are not provided.

Bulletin: CS4



Catalog Number	Weight (lb.)
CCS2W1VLG	5.0



87799099