

## Screw-Cover Type 1 Pull Boxes and Accessories

### Screw-Cover, Type 1



#### Industry Standards

UL 50, 50E Listed; Type 1; File No. E27525  
cUL Listed per CSA C22.2 No 40; Type 1; File No. E27525

NEMA/EEMAC Type 1  
IEC 60529, IP30

#### Application

Use this enclosure in commercial and general industrial applications that require a junction or pull box. For flush installations, order flush covers and door frames separately.

#### Features

- Unique keyhole screw slots in the cover
- Available with or without knockouts. Various sizes of easy-to-remove concentric knockouts on all four sides of standard boxes with knockouts.
- Optional flush-mounted door frame available
- Optional flush covers
- Flat, removable covers fastened with plated steel screws
- Provision for grounding
- Mounting holes on back of box

#### Specifications

- 16, 14 or 12 gauge steel or plated steel

#### Finish

ANSI 61 gray polyester powder paint finish inside and out. Unless otherwise specified, all custom pull boxes are finished with ANSI 11 gray polyester powder paint.

#### Accessories

See also Accessories.

Flush Covers  
Flush-Mount Door Frames  
Grounding Device  
Type 1 Locking Window Pull Box Accessory  
Touch-Up Paint

Bulletin: A90P1

#### Standard Product Screw-Cover Type 1 Pull Boxes with Knockouts

| Catalog Number | AxBxCin.             | AxBxC mm        | Style      | Number of Cover Screws | Knockout Pattern Along "A" Sides | Knockout Pattern Along "B" Sides |
|----------------|----------------------|-----------------|------------|------------------------|----------------------------------|----------------------------------|
| ASE4X4X3       | 4.00 x 4.00 x 3.00   | 102 x 102 x 76  | Painted    | 2                      | B-C                              | B-C                              |
| ASG4X4X3       | 4.00 x 4.00 x 3.00   | 102 x 102 x 76  | Galvanized | 2                      | B-C                              | B-C                              |
| ASE6X6X3       | 6.00 x 6.00 x 3.00   | 152 x 152 x 76  | Painted    | 2                      | B-C-D                            | B-C-D                            |
| ASG6X6X3       | 6.00 x 6.00 x 3.00   | 152 x 152 x 76  | Galvanized | 2                      | B-C-D                            | B-C-D                            |
| ASE8X6X3       | 8.00 x 6.00 x 3.00   | 203 x 152 x 76  | Painted    | 2                      | F-G-H-I                          | B-C-D                            |
| ASG8X6X3       | 8.00 x 6.00 x 3.00   | 203 x 152 x 76  | Galvanized | 2                      | F-G-H-I                          | B-C-D                            |
| ASE16X14X3     | 16.00 x 14.00 x 3.00 | 406 x 356 x 76  | Painted    | 4                      | B-C-D-E-F-G-H                    | B-C-D-E-F-G-H                    |
| ASE18X14X3     | 18.00 x 14.00 x 3.00 | 457 x 356 x 76  | Painted    | 4                      | A-B-C-D-E-F-G-H-I                | B-C-D-E-F-G-H                    |
| ASE4X4X4       | 4.00 x 4.00 x 4.00   | 102 x 102 x 102 | Painted    | 2                      | B-C                              | B-C                              |
| ASG4X4X4       | 4.00 x 4.00 x 4.00   | 102 x 102 x 102 | Galvanized | 2                      | B-C                              | B-C                              |
| ASE6X4X4       | 6.00 x 4.00 x 4.00   | 152 x 102 x 102 | Painted    | 2                      | B-C-D                            | B-C                              |
| ASG6X4X4       | 6.00 x 4.00 x 4.00   | 152 x 102 x 102 | Galvanized | 2                      | B-C-D                            | B-C                              |
| ASE6X6X4       | 6.00 x 6.00 x 4.00   | 152 x 152 x 102 | Painted    | 2                      | B-C-D                            | B-C-D                            |
| ASG6X6X4       | 6.00 x 6.00 x 4.00   | 152 x 152 x 102 | Galvanized | 2                      | B-C-D                            | B-C-D                            |
| ASE8X6X4       | 8.00 x 6.00 x 4.00   | 203 x 152 x 102 | Painted    | 2                      | F-G-H-I                          | B-C-D                            |
| ASG8X6X4       | 8.00 x 6.00 x 4.00   | 203 x 152 x 102 | Galvanized | 2                      | F-G-H-I                          | B-C-D                            |
| ASE8X8X4       | 8.00 x 8.00 x 4.00   | 203 x 203 x 102 | Painted    | 4                      | F-G-H-I                          | F-G-H-I                          |
| ASG8X8X4       | 8.00 x 8.00 x 4.00   | 203 x 203 x 102 | Galvanized | 4                      | F-G-H-I                          | F-G-H-I                          |
| ASE10X8X4      | 10.00 x 8.00 x 4.00  | 254 x 203 x 102 | Painted    | 4                      | F-G-H-I                          | F-G-H-I                          |
| ASG10X8X4      | 10.00 x 8.00 x 4.00  | 254 x 203 x 102 | Galvanized | 4                      | F-G-H-I                          | F-G-H-I                          |
| ASE10X10X4     | 10.00 x 10.00 x 4.00 | 254 x 254 x 102 | Painted    | 4                      | F-G-H-I                          | C-D-E-F-G                        |
| ASG10X10X4     | 10.00 x 10.00 x 4.00 | 254 x 254 x 102 | Galvanized | 4                      | F-G-H-I                          | C-D-E-F-G                        |
| ASE12X8X4      | 12.00 x 8.00 x 4.00  | 305 x 203 x 102 | Painted    | 4                      | C-D-E-F-G                        | F-G-H-I                          |
| ASG12X8X4      | 12.00 x 8.00 x 4.00  | 305 x 203 x 102 | Galvanized | 4                      | C-D-E-F-G                        | F-G-H-I                          |
| ASE12X10X4     | 12.00 x 10.00 x 4.00 | 305 x 254 x 102 | Painted    | 4                      | C-D-E-F-G                        | C-D-E-F-G                        |
| ASG12X10X4     | 12.00 x 10.00 x 4.00 | 305 x 254 x 102 | Galvanized | 4                      | C-D-E-F-G                        | C-D-E-F-G                        |
| ASE12X12X4     | 12.00 x 12.00 x 4.00 | 305 x 305 x 102 | Painted    | 4                      | C-D-E-F-G                        | C-D-E-F-G                        |
| ASG12X12X4     | 12.00 x 12.00 x 4.00 | 305 x 305 x 102 | Galvanized | 4                      | C-D-E-F-G                        | C-D-E-F-G                        |
| ASE16X12X4     | 16.00 x 12.00 x 4.00 | 406 x 305 x 102 | Painted    | 4                      | B-C-D-E-F-G-H                    | C-D-E-F-G                        |
| ASG16X12X4     | 16.00 x 12.00 x 4.00 | 406 x 305 x 102 | Galvanized | 4                      | B-C-D-E-F-G-H                    | C-D-E-F-G                        |
| ASE18X12X4     | 18.00 x 12.00 x 4.00 | 457 x 305 x 102 | Painted    | 4                      | A-B-C-D-E-F-G-H-I                | C-D-E-F-G                        |
| ASG18X12X4     | 18.00 x 12.00 x 4.00 | 457 x 305 x 102 | Galvanized | 4                      | A-B-C-D-E-F-G-H-I                | C-D-E-F-G                        |
| ASE18X18X4     | 18.00 x 18.00 x 4.00 | 457 x 457 x 102 | Painted    | 4                      | A-B-C-D-E-F-G-H-I                | A-B-C-D-E-F-G-H-I                |
| ASG18X18X4     | 18.00 x 18.00 x 4.00 | 457 x 457 x 102 | Galvanized | 4                      | A-B-C-D-E-F-G-H-I                | A-B-C-D-E-F-G-H-I                |
| ASE24X12X4     | 24.00 x 12.00 x 4.00 | 610 x 305 x 102 | Painted    | 4                      | A-B-C-D-E-F-G-H-I                | C-D-E-F-G                        |
| ASG24X12X4     | 24.00 x 12.00 x 4.00 | 610 x 305 x 102 | Galvanized | 4                      | A-B-C-D-E-F-G-H-I                | A-B-C-D-E-F-G-H-I                |
| ASE24X24X4     | 24.00 x 24.00 x 4.00 | 610 x 610 x 102 | Painted    | 4                      | A-B-C-D-E-F-G-H-I                | A-B-C-D-E-F-G-H-I                |
| ASG24X24X4     | 24.00 x 24.00 x 4.00 | 610 x 610 x 102 | Galvanized | 4                      | A-B-C-D-E-F-G-H-I                | A-B-C-D-E-F-G-H-I                |
| ASE30X24X4     | 30.00 x 24.00 x 4.00 | 762 x 610 x 102 | Painted    | 6                      | A-B-C-D-E-F-G-H-I                | A-B-C-D-E-F-G-H-I                |
| ASE6X6X6       | 6.00 x 6.00 x 6.00   | 152 x 152 x 152 | Painted    | 2                      | B-C-D                            | B-C-D                            |

## Screw-Cover Type 1 Pull Boxes and Accessories

| Catalog Number | AxBxCin.              | AxBxCmm         | Style      | Number of Cover Screws | Knockout Pattern Along "A" Sides | Knockout Pattern Along "B" Sides |
|----------------|-----------------------|-----------------|------------|------------------------|----------------------------------|----------------------------------|
| ASG6X6         | 6.00 x 6.00 x 6.00    | 152 x 152 x 152 | Galvanized | 2                      | B-C-D                            | B-C-D                            |
| ASE8X6         | 8.00 x 6.00 x 6.00    | 203 x 152 x 152 | Painted    | 4                      | F-G-H-I                          | B-C-D                            |
| ASE8X8         | 8.00 x 8.00 x 6.00    | 203 x 203 x 152 | Painted    | 4                      | F-G-H-I                          | F-G-H-I                          |
| ASG8X8         | 8.00 x 8.00 x 6.00    | 203 x 203 x 152 | Galvanized | 4                      | F-G-H-I                          | F-G-H-I                          |
| ASE10X8        | 10.00 x 8.00 x 6.00   | 254 x 203 x 152 | Painted    | 4                      | F-G-H-I                          | F-G-H-I                          |
| ASG10X8        | 10.00 x 8.00 x 6.00   | 254 x 203 x 152 | Galvanized | 4                      | F-G-H-I                          | F-G-H-I                          |
| ASE10X10       | 10.00 x 10.00 x 6.00  | 254 x 254 x 152 | Painted    | 4                      | F-G-H-I                          | C-D-E-F-G                        |
| ASG10X10       | 10.00 x 10.00 x 6.00  | 254 x 254 x 152 | Galvanized | 4                      | F-G-H-I                          | C-D-E-F-G                        |
| ASE12X10       | 12.00 x 10.00 x 6.00  | 305 x 254 x 152 | Painted    | 4                      | C-D-E-F-G                        | C-D-E-F-G                        |
| ASG12X10       | 12.00 x 10.00 x 6.00  | 305 x 254 x 152 | Galvanized | 4                      | C-D-E-F-G                        | C-D-E-F-G                        |
| ASE12X12       | 12.00 x 12.00 x 6.00  | 305 x 305 x 152 | Painted    | 4                      | C-D-E-F-G                        | C-D-E-F-G                        |
| ASG12X12       | 12.00 x 12.00 x 6.00  | 305 x 305 x 152 | Galvanized | 4                      | C-D-E-F-G                        | C-D-E-F-G                        |
| ASE16X12       | 16.00 x 12.00 x 6.00  | 406 x 305 x 152 | Painted    | 4                      | B-C-D-E-F-G-H                    | C-D-E-F-G                        |
| ASG16X12       | 16.00 x 12.00 x 6.00  | 406 x 305 x 152 | Galvanized | 4                      | B-C-D-E-F-G-H                    | C-D-E-F-G                        |
| ASE16X16       | 16.00 x 16.00 x 6.00  | 406 x 406 x 152 | Painted    | 4                      | B-C-D-E-F-G-H                    | B-C-D-E-F-G-H                    |
| ASG16X16       | 16.00 x 16.00 x 6.00  | 406 x 406 x 152 | Galvanized | 4                      | B-C-D-E-F-G-H                    | B-C-D-E-F-G-H                    |
| ASE18X12       | 18.00 x 12.00 x 6.00  | 457 x 305 x 152 | Painted    | 4                      | A-B-C-D-E-F-G-H-I                | C-D-E-F-G                        |
| ASG18X12       | 18.00 x 12.00 x 6.00  | 457 x 305 x 152 | Galvanized | 4                      | A-B-C-D-E-F-G-H-I                | C-D-E-F-G                        |
| ASE18X18       | 18.00 x 18.00 x 6.00  | 457 x 457 x 152 | Painted    | 4                      | A-B-C-D-E-F-G-H-I                | A-B-C-D-E-F-G-H-I                |
| ASG18X18       | 18.00 x 18.00 x 6.00  | 457 x 457 x 152 | Galvanized | 4                      | A-B-C-D-E-F-G-H-I                | A-B-C-D-E-F-G-H-I                |
| ASE24X18       | 24.00 x 18.00 x 6.00  | 610 x 457 x 152 | Painted    | 4                      | A-B-C-D-E-F-G-H-I                | A-B-C-D-E-F-G-H-I                |
| ASG24X18       | 24.00 x 18.00 x 6.00  | 610 x 457 x 152 | Galvanized | 4                      | A-B-C-D-E-F-G-H-I                | A-B-C-D-E-F-G-H-I                |
| ASE24X24       | 24.00 x 24.00 x 6.00  | 610 x 610 x 152 | Painted    | 4                      | A-B-C-D-E-F-G-H-I                | A-B-C-D-E-F-G-H-I                |
| ASG24X24       | 24.00 x 24.00 x 6.00  | 610 x 610 x 152 | Galvanized | 4                      | A-B-C-D-E-F-G-H-I                | A-B-C-D-E-F-G-H-I                |
| ASE30X24       | 30.00 x 24.00 x 6.00  | 762 x 610 x 152 | Painted    | 6                      | A-B-C-D-E-F-G-H-I                | A-B-C-D-E-F-G-H-I                |
| ASG30X24       | 30.00 x 24.00 x 6.00  | 762 x 610 x 152 | Galvanized | 6                      | A-B-C-D-E-F-G-H-I                | A-B-C-D-E-F-G-H-I                |
| ASE36X24       | 36.00 x 24.00 x 6.00  | 914 x 610 x 152 | Painted    | 6                      | A-B-C-D-E-F-G-H-I                | A-B-C-D-E-F-G-H-I                |
| ASG36X24       | 36.00 x 24.00 x 6.00  | 914 x 610 x 152 | Galvanized | 6                      | A-B-C-D-E-F-G-H-I                | A-B-C-D-E-F-G-H-I                |
| ASE8X8         | 8.00 x 8.00 x 8.00    | 203 x 203 x 203 | Painted    | 4                      | F-G-H-I                          | F-G-H-I                          |
| ASE12X12       | 12.00 x 12.00 x 8.00  | 305 x 305 x 203 | Painted    | 4                      | C-D-E-F-G                        | C-D-E-F-G                        |
| ASG12X12       | 12.00 x 12.00 x 8.00  | 305 x 305 x 203 | Galvanized | 4                      | C-D-E-F-G                        | C-D-E-F-G                        |
| ASE16X12       | 16.00 x 12.00 x 8.00  | 406 x 305 x 203 | Painted    | 4                      | B-C-D-E-F-G-H                    | C-D-E-F-G                        |
| ASE18X12       | 18.00 x 12.00 x 8.00  | 457 x 305 x 203 | Painted    | 4                      | A-B-C-D-E-F-G-H-I                | C-D-E-F-G                        |
| ASE24X12       | 24.00 x 12.00 x 8.00  | 610 x 305 x 203 | Painted    | 4                      | A-B-C-D-E-F-G-H-I                | C-D-E-F-G                        |
| ASE24X18       | 24.00 x 18.00 x 8.00  | 610 x 457 x 203 | Painted    | 4                      | A-B-C-D-E-F-G-H-I                | A-B-C-D-E-F-G-H-I                |
| ASE24X24       | 24.00 x 24.00 x 8.00  | 610 x 610 x 203 | Painted    | 4                      | A-B-C-D-E-F-G-H-I                | A-B-C-D-E-F-G-H-I                |
| ASE36X24       | 36.00 x 24.00 x 8.00  | 914 x 610 x 203 | Painted    | 6                      | A-B-C-D-E-F-G-H-I                | A-B-C-D-E-F-G-H-I                |
| ASE18X12X10    | 18.00 x 12.00 x 10.00 | 457 x 305 x 254 | Painted    | 4                      | A-B-C-D-E-F-G-H-I                | C-D-E-F-G                        |
| ASE18X18X10    | 18.00 x 18.00 x 10.00 | 457 x 457 x 254 | Painted    | 4                      | A-B-C-D-E-F-G-H-I                | A-B-C-D-E-F-G-H-I                |
| ASE24X18X10    | 24.00 x 18.00 x 10.00 | 610 x 457 x 254 | Painted    | 4                      | A-B-C-D-E-F-G-H-I                | A-B-C-D-E-F-G-H-I                |
| ASE24X24X10    | 24.00 x 24.00 x 10.00 | 610 x 610 x 254 | Painted    | 4                      | A-B-C-D-E-F-G-H-I                | A-B-C-D-E-F-G-H-I                |
| ASE36X24X10    | 36.00 x 24.00 x 10.00 | 914 x 610 x 254 | Painted    | 6                      | A-B-C-D-E-F-G-H-I                | A-B-C-D-E-F-G-H-I                |
| ASE24X12X12    | 24.00 x 12.00 x 12.00 | 610 x 305 x 305 | Painted    | 4                      | A-B-C-D-E-F-G-H-I                | C-D-E-F-G                        |
| ASE18X18X12    | 18.00 x 18.00 x 12.00 | 457 x 457 x 305 | Painted    | 4                      | A-B-C-D-E-F-G-H-I                | A-B-C-D-E-F-G-H-I                |
| ASE24X18X12    | 24.00 x 18.00 x 12.00 | 610 x 457 x 305 | Painted    | 4                      | A-B-C-D-E-F-G-H-I                | A-B-C-D-E-F-G-H-I                |
| ASE24X24X12    | 24.00 x 24.00 x 12.00 | 610 x 610 x 305 | Painted    | 4                      | A-B-C-D-E-F-G-H-I                | A-B-C-D-E-F-G-H-I                |
| ASE30X24X12    | 30.00 x 24.00 x 12.00 | 762 x 610 x 305 | Painted    | 6                      | A-B-C-D-E-F-G-H-I                | A-B-C-D-E-F-G-H-I                |
| ASE36X24X12    | 36.00 x 24.00 x 12.00 | 914 x 610 x 305 | Painted    | 6                      | A-B-C-D-E-F-G-H-I                | A-B-C-D-E-F-G-H-I                |

### Standard Product Screw-Cover Type 1 Pull Boxes without Knockouts

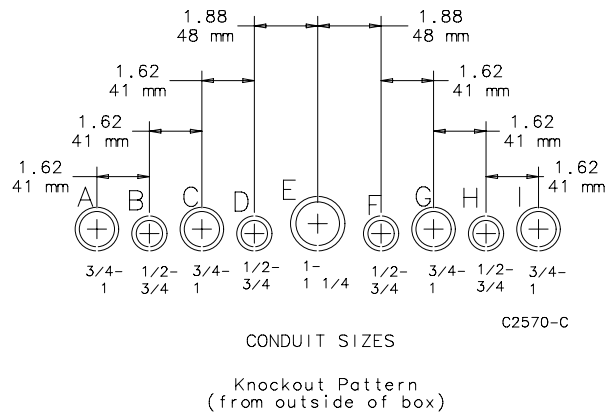
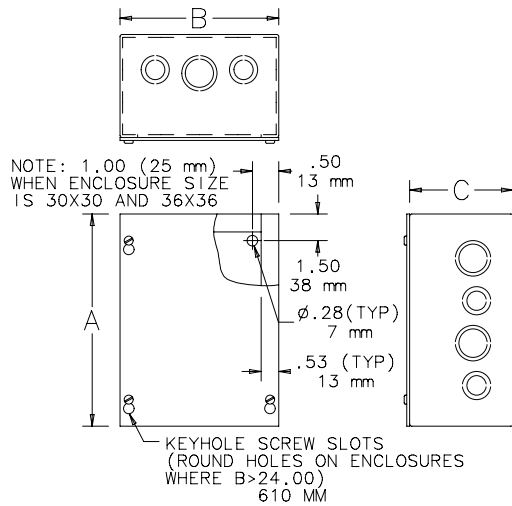
| Catalog Number | AxBxCin.             | AxBxCmm         | Style      | Number of Cover Screws |
|----------------|----------------------|-----------------|------------|------------------------|
| ASE4X4X3NK     | 4.00 x 4.00 x 3.00   | 102 x 102 x 76  | Painted    | 2                      |
| ASG4X4X3NK     | 4.00 x 4.00 x 3.00   | 102 x 102 x 76  | Galvanized | 2                      |
| ASE6X6X3NK     | 6.00 x 6.00 x 3.00   | 152 x 152 x 76  | Painted    | 2                      |
| ASG6X6X3NK     | 6.00 x 6.00 x 3.00   | 152 x 152 x 76  | Galvanized | 2                      |
| ASE8X8X3NK     | 8.00 x 6.00 x 3.00   | 203 x 152 x 76  | Painted    | 2                      |
| ASG8X8X3NK     | 8.00 x 6.00 x 3.00   | 203 x 152 x 76  | Galvanized | 2                      |
| ASE16X14X3NK   | 16.00 x 14.00 x 3.00 | 406 x 356 x 76  | Painted    | 4                      |
| ASE20X14X3NK   | 20.00 x 14.00 x 3.00 | 508 x 356 x 76  | Painted    | 4                      |
| ASE4X4X4NK     | 4.00 x 4.00 x 4.00   | 102 x 102 x 102 | Painted    | 2                      |
| ASG4X4X4NK     | 4.00 x 4.00 x 4.00   | 102 x 102 x 102 | Galvanized | 2                      |
| ASE6X4X4NK     | 6.00 x 4.00 x 4.00   | 152 x 102 x 102 | Painted    | 2                      |
| ASG6X4X4NK     | 6.00 x 4.00 x 4.00   | 152 x 102 x 102 | Galvanized | 2                      |
| ASE6X6X4NK     | 6.00 x 6.00 x 4.00   | 152 x 152 x 102 | Painted    | 2                      |
| ASG6X6X4NK     | 6.00 x 6.00 x 4.00   | 152 x 152 x 102 | Galvanized | 2                      |
| ASE8X6X4NK     | 8.00 x 6.00 x 4.00   | 203 x 152 x 102 | Painted    | 2                      |
| ASG8X6X4NK     | 8.00 x 6.00 x 4.00   | 203 x 152 x 102 | Galvanized | 2                      |
| ASE8X8X4NK     | 8.00 x 8.00 x 4.00   | 203 x 203 x 102 | Painted    | 4                      |
| ASG8X8X4NK     | 8.00 x 8.00 x 4.00   | 203 x 203 x 102 | Galvanized | 4                      |
| ASE10X6X4NK    | 10.00 x 6.00 x 4.00  | 254 x 152 x 102 | Painted    | 4                      |
| ASG10X6X4NK    | 10.00 x 6.00 x 4.00  | 254 x 152 x 102 | Galvanized | 4                      |
| ASE10X8X4NK    | 10.00 x 8.00 x 4.00  | 254 x 203 x 102 | Painted    | 4                      |
| ASG10X8X4NK    | 10.00 x 8.00 x 4.00  | 254 x 203 x 102 | Galvanized | 4                      |
| ASE10X10X4NK   | 10.00 x 10.00 x 4.00 | 254 x 254 x 102 | Painted    | 4                      |
| ASG10X10X4NK   | 10.00 x 10.00 x 4.00 | 254 x 254 x 102 | Galvanized | 4                      |
| ASE12X6X4NK    | 12.00 x 6.00 x 4.00  | 305 x 152 x 102 | Painted    | 4                      |
| ASG12X6X4NK    | 12.00 x 6.00 x 4.00  | 305 x 152 x 102 | Galvanized | 4                      |
| ASE12X8X4NK    | 12.00 x 8.00 x 4.00  | 305 x 203 x 102 | Painted    | 4                      |

## Screw-Cover Type 1 Pull Boxes and Accessories

| Catalog Number | AxBxCin.             | AxBxCmm         | Style      | Number of Cover Screws |
|----------------|----------------------|-----------------|------------|------------------------|
| ASG12X8X4NK    | 12.00 x 8.00 x 4.00  | 305 x 203 x 102 | Galvanized | 4                      |
| ASE12X10X4NK   | 12.00 x 10.00 x 4.00 | 305 x 254 x 102 | Painted    | 4                      |
| ASG12X10X4NK   | 12.00 x 10.00 x 4.00 | 305 x 254 x 102 | Galvanized | 4                      |
| ASE12X12X4NK   | 12.00 x 12.00 x 4.00 | 305 x 305 x 102 | Painted    | 4                      |
| ASG12X12X4NK   | 12.00 x 12.00 x 4.00 | 305 x 305 x 102 | Galvanized | 4                      |
| ASE15X15X4NK   | 15.00 x 15.00 x 4.00 | 381 x 381 x 102 | Painted    | 4                      |
| ASG15X15X4NK   | 15.00 x 15.00 x 4.00 | 381 x 381 x 102 | Galvanized | 4                      |
| ASE16X12X4NK   | 16.00 x 12.00 x 4.00 | 406 x 305 x 102 | Painted    | 4                      |
| ASG16X12X4NK   | 16.00 x 12.00 x 4.00 | 406 x 305 x 102 | Galvanized | 4                      |
| ASE18X12X4NK   | 18.00 x 12.00 x 4.00 | 457 x 305 x 102 | Painted    | 4                      |
| ASG18X12X4NK   | 18.00 x 12.00 x 4.00 | 457 x 305 x 102 | Galvanized | 4                      |
| ASE18X15X4NK   | 18.00 x 15.00 x 4.00 | 457 x 381 x 102 | Painted    | 4                      |
| ASG18X15X4NK   | 18.00 x 15.00 x 4.00 | 457 x 381 x 102 | Galvanized | 4                      |
| ASE18X18X4NK   | 18.00 x 18.00 x 4.00 | 457 x 457 x 102 | Painted    | 4                      |
| ASG18X18X4NK   | 18.00 x 18.00 x 4.00 | 457 x 457 x 102 | Galvanized | 4                      |
| ASE24X12X4NK   | 24.00 x 12.00 x 4.00 | 610 x 305 x 102 | Painted    | 4                      |
| ASG24X12X4NK   | 24.00 x 12.00 x 4.00 | 610 x 305 x 102 | Galvanized | 4                      |
| ASE24X18X4NK   | 24.00 x 18.00 x 4.00 | 610 x 457 x 102 | Painted    | 4                      |
| ASG24X18X4NK   | 24.00 x 18.00 x 4.00 | 610 x 457 x 102 | Galvanized | 4                      |
| ASE24X24X4NK   | 24.00 x 24.00 x 4.00 | 610 x 610 x 102 | Painted    | 4                      |
| ASG24X24X4NK   | 24.00 x 24.00 x 4.00 | 610 x 610 x 102 | Galvanized | 4                      |
| ASE30X24X4NK   | 30.00 x 24.00 x 4.00 | 762 x 610 x 102 | Painted    | 6                      |
| ASG30X24X4NK   | 30.00 x 24.00 x 4.00 | 762 x 610 x 102 | Galvanized | 6                      |
| ASE30X30X4NK   | 30.00 x 30.00 x 4.00 | 762 x 762 x 102 | Painted    | 8                      |
| ASG30X30X4NK   | 30.00 x 30.00 x 4.00 | 762 x 762 x 102 | Galvanized | 8                      |
| ASE6X6X6NK     | 6.00 x 6.00 x 6.00   | 152 x 152 x 152 | Painted    | 2                      |
| ASG6X6X6NK     | 6.00 x 6.00 x 6.00   | 152 x 152 x 152 | Galvanized | 2                      |
| ASE8X6X6NK     | 8.00 x 6.00 x 6.00   | 203 x 152 x 152 | Painted    | 2                      |
| ASG8X6X6NK     | 8.00 x 6.00 x 6.00   | 203 x 152 x 152 | Galvanized | 2                      |
| ASE8X8X6NK     | 8.00 x 8.00 x 6.00   | 203 x 203 x 152 | Painted    | 4                      |
| ASG8X8X6NK     | 8.00 x 8.00 x 6.00   | 203 x 203 x 152 | Galvanized | 4                      |
| ASE10X8X6NK    | 10.00 x 8.00 x 6.00  | 254 x 203 x 152 | Painted    | 4                      |
| ASG10X8X6NK    | 10.00 x 8.00 x 6.00  | 254 x 203 x 152 | Galvanized | 4                      |
| ASE10X10X6NK   | 10.00 x 10.00 x 6.00 | 254 x 254 x 152 | Painted    | 4                      |
| ASG10X10X6NK   | 10.00 x 10.00 x 6.00 | 254 x 254 x 152 | Galvanized | 4                      |
| ASE12X6X6NK    | 12.00 x 6.00 x 6.00  | 305 x 152 x 152 | Painted    | 4                      |
| ASG12X6X6NK    | 12.00 x 6.00 x 6.00  | 305 x 152 x 152 | Galvanized | 4                      |
| ASE12X8X6NK    | 12.00 x 8.00 x 6.00  | 305 x 203 x 152 | Painted    | 4                      |
| ASG12X8X6NK    | 12.00 x 8.00 x 6.00  | 305 x 203 x 152 | Galvanized | 4                      |
| ASE12X10X6NK   | 12.00 x 10.00 x 6.00 | 305 x 254 x 152 | Painted    | 4                      |
| ASG12X10X6NK   | 12.00 x 10.00 x 6.00 | 305 x 254 x 152 | Galvanized | 4                      |
| ASE12X12X6NK   | 12.00 x 12.00 x 6.00 | 305 x 305 x 152 | Painted    | 4                      |
| ASG12X12X6NK   | 12.00 x 12.00 x 6.00 | 305 x 305 x 152 | Galvanized | 4                      |
| ASE16X12X6NK   | 16.00 x 12.00 x 6.00 | 406 x 305 x 152 | Painted    | 4                      |
| ASG16X12X6NK   | 16.00 x 12.00 x 6.00 | 406 x 305 x 152 | Galvanized | 4                      |
| ASE16X16X6NK   | 16.00 x 16.00 x 6.00 | 406 x 406 x 152 | Painted    | 4                      |
| ASG16X16X6NK   | 16.00 x 16.00 x 6.00 | 406 x 406 x 152 | Galvanized | 4                      |
| ASE18X12X6NK   | 18.00 x 12.00 x 6.00 | 457 x 305 x 152 | Painted    | 4                      |
| ASG18X12X6NK   | 18.00 x 12.00 x 6.00 | 457 x 305 x 152 | Galvanized | 4                      |
| ASE18X18X6NK   | 18.00 x 18.00 x 6.00 | 457 x 457 x 152 | Painted    | 4                      |
| ASG18X18X6NK   | 18.00 x 18.00 x 6.00 | 457 x 457 x 152 | Galvanized | 4                      |
| ASE24X12X6NK   | 24.00 x 12.00 x 6.00 | 610 x 305 x 152 | Painted    | 4                      |
| ASG24X12X6NK   | 24.00 x 12.00 x 6.00 | 610 x 305 x 152 | Galvanized | 4                      |
| ASE24X18X6NK   | 24.00 x 18.00 x 6.00 | 610 x 457 x 152 | Painted    | 4                      |
| ASG24X18X6NK   | 24.00 x 18.00 x 6.00 | 610 x 457 x 152 | Galvanized | 4                      |
| ASE24X20X6NK   | 24.00 x 20.00 x 6.00 | 610 x 508 x 152 | Painted    | 4                      |
| ASG24X20X6NK   | 24.00 x 20.00 x 6.00 | 610 x 508 x 152 | Galvanized | 4                      |
| ASE24X24X6NK   | 24.00 x 24.00 x 6.00 | 610 x 610 x 152 | Painted    | 4                      |
| ASG24X24X6NK   | 24.00 x 24.00 x 6.00 | 610 x 610 x 152 | Galvanized | 4                      |
| ASE30X24X6NK   | 30.00 x 24.00 x 6.00 | 762 x 610 x 152 | Painted    | 6                      |
| ASG30X24X6NK   | 30.00 x 24.00 x 6.00 | 762 x 610 x 152 | Galvanized | 6                      |
| ASE30X30X6NK   | 30.00 x 30.00 x 6.00 | 762 x 762 x 152 | Painted    | 8                      |
| ASG30X30X6NK   | 30.00 x 30.00 x 6.00 | 762 x 762 x 152 | Galvanized | 8                      |
| ASE36X24X6NK   | 36.00 x 24.00 x 6.00 | 914 x 610 x 152 | Painted    | 6                      |
| ASG36X24X6NK   | 36.00 x 24.00 x 6.00 | 914 x 610 x 152 | Galvanized | 6                      |
| ASE36X30X6NK   | 36.00 x 30.00 x 6.00 | 914 x 762 x 152 | Painted    | 8                      |
| ASG36X30X6NK   | 36.00 x 30.00 x 6.00 | 914 x 762 x 152 | Galvanized | 8                      |
| ASE36X36X6NK   | 36.00 x 36.00 x 6.00 | 914 x 914 x 152 | Painted    | 8                      |
| ASG36X36X6NK   | 36.00 x 36.00 x 6.00 | 914 x 914 x 152 | Galvanized | 8                      |
| ASE8X8X8NK     | 8.00 x 8.00 x 8.00   | 203 x 203 x 203 | Painted    | 4                      |
| ASG8X8X8NK     | 8.00 x 8.00 x 8.00   | 203 x 203 x 203 | Galvanized | 4                      |
| ASE10X10X8NK   | 10.00 x 10.00 x 8.00 | 254 x 254 x 203 | Painted    | 4                      |
| ASG10X10X8NK   | 10.00 x 10.00 x 8.00 | 254 x 254 x 203 | Galvanized | 4                      |
| ASE12X10X8NK   | 12.00 x 10.00 x 8.00 | 305 x 254 x 203 | Painted    | 4                      |
| ASG12X10X8NK   | 12.00 x 10.00 x 8.00 | 305 x 254 x 203 | Galvanized | 4                      |
| ASE12X12X8NK   | 12.00 x 12.00 x 8.00 | 305 x 305 x 203 | Painted    | 4                      |
| ASG12X12X8NK   | 12.00 x 12.00 x 8.00 | 305 x 305 x 203 | Galvanized | 4                      |
| ASE16X12X8NK   | 16.00 x 12.00 x 8.00 | 406 x 305 x 203 | Painted    | 4                      |
| ASG16X12X8NK   | 16.00 x 12.00 x 8.00 | 406 x 305 x 203 | Galvanized | 4                      |
| ASE18X12X8NK   | 18.00 x 12.00 x 8.00 | 457 x 305 x 203 | Painted    | 4                      |
| ASG18X12X8NK   | 18.00 x 12.00 x 8.00 | 457 x 305 x 203 | Galvanized | 4                      |
| ASE18X18X8NK   | 18.00 x 18.00 x 8.00 | 457 x 457 x 203 | Painted    | 4                      |
| ASG18X18X8NK   | 18.00 x 18.00 x 8.00 | 457 x 457 x 203 | Galvanized | 4                      |
| ASE24X12X8NK   | 24.00 x 12.00 x 8.00 | 610 x 305 x 203 | Painted    | 4                      |
| ASG24X12X8NK   | 24.00 x 12.00 x 8.00 | 610 x 305 x 203 | Galvanized | 4                      |
| ASE24X18X8NK   | 24.00 x 18.00 x 8.00 | 610 x 457 x 203 | Painted    | 4                      |
| ASG24X18X8NK   | 24.00 x 18.00 x 8.00 | 610 x 457 x 203 | Galvanized | 4                      |
| ASE24X20X8NK   | 24.00 x 20.00 x 8.00 | 610 x 508 x 203 | Painted    | 4                      |
| ASG24X20X8NK   | 24.00 x 20.00 x 8.00 | 610 x 508 x 203 | Galvanized | 4                      |

## Screw-Cover Type 1 Pull Boxes and Accessories

| Catalog Number | AxBxCin.              | AxBxCmm           | Style      | Number of Cover Screws |
|----------------|-----------------------|-------------------|------------|------------------------|
| ASG24X20X8NK   | 24.00 x 20.00 x 8.00  | 610 x 508 x 203   | Galvanized | 4                      |
| ASE24X24X8NK   | 24.00 x 24.00 x 8.00  | 610 x 610 x 203   | Painted    | 4                      |
| ASG24X24X8NK   | 24.00 x 24.00 x 8.00  | 610 x 610 x 203   | Galvanized | 4                      |
| ASE30X24X8NK   | 30.00 x 24.00 x 8.00  | 762 x 610 x 203   | Painted    | 6                      |
| ASG30X24X8NK   | 30.00 x 24.00 x 8.00  | 762 x 610 x 203   | Galvanized | 6                      |
| ASE30X30X8NK   | 30.00 x 30.00 x 8.00  | 762 x 762 x 203   | Painted    | 8                      |
| ASG30X30X8NK   | 30.00 x 30.00 x 8.00  | 762 x 762 x 203   | Galvanized | 8                      |
| ASE36X24X8NK   | 36.00 x 24.00 x 8.00  | 914 x 610 x 203   | Painted    | 6                      |
| ASG36X24X8NK   | 36.00 x 24.00 x 8.00  | 914 x 610 x 203   | Galvanized | 6                      |
| ASE36X36X8NK   | 36.00 x 36.00 x 8.00  | 914 x 914 x 203   | Painted    | 8                      |
| ASG36X36X8NK   | 36.00 x 36.00 x 8.00  | 914 x 914 x 203   | Galvanized | 8                      |
| ASE12X12X10NK  | 12.00 x 12.00 x 10.00 | 305 x 305 x 254   | Painted    | 4                      |
| ASG12X12X10NK  | 12.00 x 12.00 x 10.00 | 305 x 305 x 254   | Galvanized | 4                      |
| ASE18X12X10NK  | 18.00 x 12.00 x 10.00 | 457 x 305 x 254   | Painted    | 4                      |
| ASG18X12X10NK  | 18.00 x 12.00 x 10.00 | 457 x 305 x 254   | Galvanized | 4                      |
| ASE18X18X10NK  | 18.00 x 18.00 x 10.00 | 457 x 457 x 254   | Painted    | 4                      |
| ASG18X18X10NK  | 18.00 x 18.00 x 10.00 | 457 x 457 x 254   | Galvanized | 4                      |
| ASE24X12X10NK  | 24.00 x 12.00 x 10.00 | 610 x 305 x 254   | Painted    | 4                      |
| ASG24X12X10NK  | 24.00 x 12.00 x 10.00 | 610 x 305 x 254   | Galvanized | 4                      |
| ASE24X18X10NK  | 24.00 x 18.00 x 10.00 | 610 x 457 x 254   | Painted    | 4                      |
| ASG24X18X10NK  | 24.00 x 18.00 x 10.00 | 610 x 457 x 254   | Galvanized | 4                      |
| ASE24X24X10NK  | 24.00 x 24.00 x 10.00 | 610 x 610 x 254   | Painted    | 4                      |
| ASG24X24X10NK  | 24.00 x 24.00 x 10.00 | 610 x 610 x 254   | Galvanized | 4                      |
| ASE30X24X10NK  | 30.00 x 24.00 x 10.00 | 762 x 610 x 254   | Painted    | 6                      |
| ASG30X24X10NK  | 30.00 x 24.00 x 10.00 | 762 x 610 x 254   | Galvanized | 6                      |
| ASE30X30X10NK  | 30.00 x 30.00 x 10.00 | 762 x 762 x 254   | Painted    | 8                      |
| ASG30X30X10NK  | 30.00 x 30.00 x 10.00 | 762 x 762 x 254   | Galvanized | 8                      |
| ASE36X24X10NK  | 36.00 x 24.00 x 10.00 | 914 x 610 x 254   | Painted    | 6                      |
| ASG36X24X10NK  | 36.00 x 24.00 x 10.00 | 914 x 610 x 254   | Galvanized | 6                      |
| ASE36X36X10NK  | 36.00 x 36.00 x 10.00 | 914 x 914 x 254   | Painted    | 8                      |
| ASG36X36X10NK  | 36.00 x 36.00 x 10.00 | 914 x 914 x 254   | Galvanized | 8                      |
| ASE12X12X12NK  | 12.00 x 12.00 x 12.00 | 305 x 305 x 305   | Painted    | 4                      |
| ASG12X12X12NK  | 12.00 x 12.00 x 12.00 | 305 x 305 x 305   | Galvanized | 4                      |
| ASE24X12X12NK  | 24.00 x 12.00 x 12.00 | 610 x 305 x 305   | Painted    | 4                      |
| ASG24X12X12NK  | 24.00 x 12.00 x 12.00 | 610 x 305 x 305   | Galvanized | 4                      |
| ASE18X18X12NK  | 18.00 x 18.00 x 12.00 | 457 x 457 x 305   | Painted    | 4                      |
| ASG18X18X12NK  | 18.00 x 18.00 x 12.00 | 457 x 457 x 305   | Galvanized | 4                      |
| ASE24X18X12NK  | 24.00 x 18.00 x 12.00 | 610 x 457 x 305   | Painted    | 4                      |
| ASG24X18X12NK  | 24.00 x 18.00 x 12.00 | 610 x 457 x 305   | Galvanized | 4                      |
| ASE24X24X12NK  | 24.00 x 24.00 x 12.00 | 610 x 610 x 305   | Painted    | 4                      |
| ASG24X24X12NK  | 24.00 x 24.00 x 12.00 | 610 x 610 x 305   | Galvanized | 4                      |
| ASE30X24X12NK  | 30.00 x 24.00 x 12.00 | 762 x 610 x 305   | Painted    | 6                      |
| ASG30X24X12NK  | 30.00 x 24.00 x 12.00 | 762 x 610 x 305   | Galvanized | 6                      |
| ASE30X30X12NK  | 30.00 x 30.00 x 12.00 | 762 x 762 x 305   | Painted    | 8                      |
| ASG30X30X12NK  | 30.00 x 30.00 x 12.00 | 762 x 762 x 305   | Galvanized | 8                      |
| ASE36X24X12NK  | 36.00 x 24.00 x 12.00 | 914 x 610 x 305   | Painted    | 6                      |
| ASG36X24X12NK  | 36.00 x 24.00 x 12.00 | 914 x 610 x 305   | Galvanized | 6                      |
| ASE36X36X12NK  | 36.00 x 36.00 x 12.00 | 914 x 914 x 305   | Painted    | 8                      |
| ASG36X36X12NK  | 36.00 x 36.00 x 12.00 | 914 x 914 x 305   | Galvanized | 8                      |
| ASE48X48X12NK  | 48.00 x 48.00 x 12.00 | 1219 x 1219 x 305 | Painted    | 12                     |
| ASG48X48X12NK  | 48.00 x 48.00 x 12.00 | 1219 x 1219 x 305 | Galvanized | 12                     |
| ASE30X30X16NK  | 30.00 x 30.00 x 16.00 | 762 x 762 x 406   | Painted    | 8                      |
| ASG30X30X16NK  | 30.00 x 30.00 x 16.00 | 762 x 762 x 406   | Galvanized | 8                      |
| ASE36X36X16NK  | 36.00 x 36.00 x 16.00 | 914 x 914 x 406   | Painted    | 8                      |
| ASG36X36X16NK  | 36.00 x 36.00 x 16.00 | 914 x 914 x 406   | Galvanized | 8                      |
| ASE48X48X16NK  | 48.00 x 48.00 x 16.00 | 1219 x 1219 x 406 | Painted    | 12                     |
| ASG48X48X16NK  | 48.00 x 48.00 x 16.00 | 1219 x 1219 x 406 | Galvanized | 12                     |

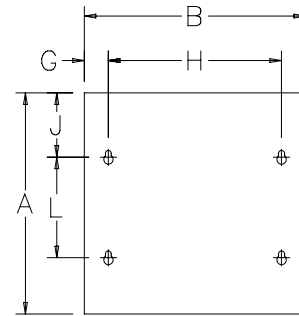


## Screw-Cover Type 1 Pull Boxes and Accessories

### Flush Covers

Designed to mount on enclosure for flush installations. Cover is 16 or 14 gauge steel finished with ANSI 61 gray polyester powder paint.

Bulletin: A90P1



87948556

### Standard Product

| Catalog Number | AxB in./mm    | Fits Box Size A x B in./mm | G in./mm | H in./mm | J in./mm | L in./mm | Cover Gauge |
|----------------|---------------|----------------------------|----------|----------|----------|----------|-------------|
| AFE6X6         | 7.50 x 7.50   | 6.00 x 6.00                | 1.03     | 5.44     | 3.75     | —        | 16          |
|                | 191 x 191     | 152 x 152                  | 26       | 138      | 95       | —        |             |
| AFE8X6         | 9.50 x 7.50   | 8.00 x 6.00                | 1.03     | 5.44     | 4.75     | —        | 16          |
|                | 241 x 191     | 203 x 152                  | 26       | 138      | 121      | —        |             |
| AFE8X8         | 9.50 x 9.50   | 8.00 x 8.00                | 1.03     | 7.44     | 2.77     | 4.31     | 16          |
|                | 241 x 241     | 203 x 203                  | 26       | 189      | 70       | 109      |             |
| AFE10X8        | 11.50 x 9.50  | 10.00 x 8.00               | 1.03     | 7.44     | 2.77     | 6.31     | 16          |
|                | 292 x 241     | 254 x 203                  | 26       | 189      | 70       | 160      |             |
| AFE10X10       | 11.50 x 11.50 | 10.00 x 10.00              | 1.03     | 9.44     | 2.77     | 6.31     | 16          |
|                | 292 x 292     | 254 x 254                  | 26       | 240      | 70       | 160      |             |
| AFE12X8        | 13.50 x 9.50  | 12.00 x 8.00               | 1.03     | 7.44     | 2.77     | 8.31     | 16          |
|                | 343 x 241     | 305 x 203                  | 26       | 189      | 70       | 211      |             |
| AFE12X12       | 13.50 x 13.50 | 12.00 x 12.00              | 1.03     | 11.44    | 2.77     | 8.31     | 16          |
|                | 343 x 343     | 305 x 305                  | 26       | 291      | 70       | 211      |             |
| AFE18X12       | 19.50 x 13.50 | 18.00 x 12.00              | 1.03     | 11.44    | 2.77     | 14.31    | 16          |
|                | 495 x 343     | 457 x 305                  | 26       | 291      | 70       | 363      |             |
| AFE18X18       | 19.50 x 19.50 | 18.00 x 18.00              | 1.03     | 17.44    | 2.77     | 14.31    | 16          |
|                | 495 x 495     | 457 x 457                  | 26       | 443      | 70       | 363      |             |
| AFE24X18       | 25.50 x 19.50 | 24.00 x 18.00              | 1.05     | 17.41    | 2.77     | 20.31    | 14          |
|                | 648 x 495     | 610 x 457                  | 27       | 442      | 70       | 516      |             |
| AFE24X24       | 25.50 x 25.50 | 24.00 x 24.00              | 1.05     | 23.41    | 2.77     | 20.31    | 14          |
|                | 648 x 648     | 610 x 610                  | 27       | 595      | 70       | 516      |             |

## Screw-Cover Type 1 Pull Boxes and Accessories

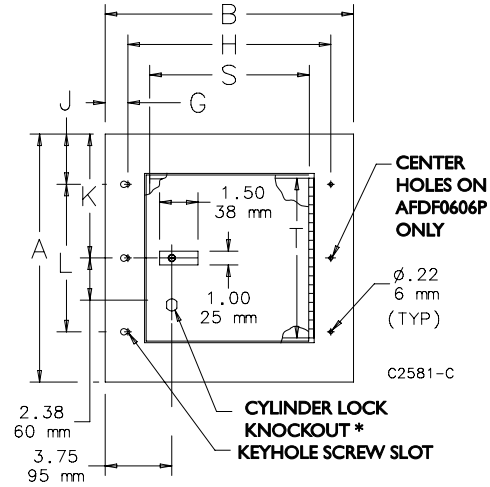
### Flush-Mount Door Frames



Use in Screw-Cover Pull Box telephone cabinet installations or in communication wiring and signal systems. Also as a junction or pull box and switch enclosure.

- Continuous hinge
- Rugged black composite slide latch
- Optional tamper-resistant lock kit includes cylinder lock, tamper-resistant screws and special driver bit.
- Lock Kit: ACLFDF
- 14 gauge steel door frame has ANSI 61 gray polyester powder paint finish

Bulletin: A90P1



### Standard Product

| Catalog Number | Frame Size<br>A x B<br>in./mm | Door<br>Size T<br>in./mm | Door<br>Size S<br>in./mm | Fits Box Size<br>A x B<br>in./mm | G<br>in./mm | H<br>in./mm  | J<br>in./mm | K<br>in./mm  | L<br>in./mm  |
|----------------|-------------------------------|--------------------------|--------------------------|----------------------------------|-------------|--------------|-------------|--------------|--------------|
| AFDF0606P      | 8.00 x 8.00<br>203 x 203      | 3.00<br>76               | 3.00<br>76               | 6.00 x 6.00<br>152 x 152         | 1.28<br>32  | 5.44<br>138  | N/A         | 4.00<br>102  | N/A          |
| AFDF1212P      | 14.00 x 14.00<br>356 x 356    | 9.00<br>229              | 9.00<br>229              | 12.00 x 12.00<br>305 x 305       | 1.28<br>32  | 11.44<br>291 | 2.84<br>72  | 7.00<br>178  | 8.31<br>211  |
| AFDF1812P      | 20.00 x 14.00<br>508 x 356    | 15.00<br>381             | 9.00<br>229              | 18.00 x 12.00<br>457 x 305       | 1.28<br>32  | 11.44<br>291 | 2.84<br>72  | 10.00<br>254 | 14.31<br>364 |
| AFDF1818P      | 20.00 x 20.00<br>508 x 508    | 15.00<br>381             | 15.00<br>381             | 18.00 x 18.00<br>457 x 457       | 1.28<br>32  | 17.44<br>443 | 2.84<br>72  | 10.00<br>254 | 14.31<br>364 |
| AFDF2418P      | 26.00 x 20.00<br>660 x 508    | 21.00<br>533             | 15.00<br>381             | 24.00 x 18.00<br>610 x 457       | 1.28<br>32  | 17.44<br>443 | 2.84<br>72  | 13.00<br>330 | 20.31<br>516 |
| AFDF2424P      | 26.00 x 26.00<br>660 x 660    | 21.00<br>533             | 21.00<br>533             | 24.00 x 24.00<br>610 x 610       | 1.30<br>33  | 23.41<br>595 | 2.84<br>72  | 13.00<br>330 | 20.31<br>516 |
| AFDF3024P      | 32.00 x 26.00<br>813 x 660    | 27.00<br>686             | 21.00<br>533             | 30.00 x 24.00<br>762 x 610       | 1.30<br>33  | 23.41<br>595 | 2.84<br>72  | 16.00<br>406 | 26.31<br>668 |