

## Condensation and Pressure Compensation Devices

### Pressure Compensation Device



#### Industry Standards

CE  
NEMA Type 4X  
IEC/EN 60529, IP66

#### Application

Pressure differentials in a tightly sealed enclosure result from heat generated by electrical and electronic equipment within the enclosure and fluctuations of outside ambient temperature. Pressure compensation devices provide IP66 protection in applications requiring slow pressure equalization. For optimal performance, install two plugs diagonally to each other.

#### Features

- Air permeability = 42 cubic feet/hour (1,200 liters/hour) at a pressure difference of min. 70 mbar
- Easy installation: drill one 1.60-in. (41-mm) diameter hole
- Sealing gasket (Nitrile Buna-N Rubber)

#### Specifications

- Semipermeable membrane inside the plug to filter moisture and dust
- Mounting thread M40 with union nut
- Plastic PA6

#### Finish

Light-gray plastic, DuPont™ Zytel® HTN polyamide

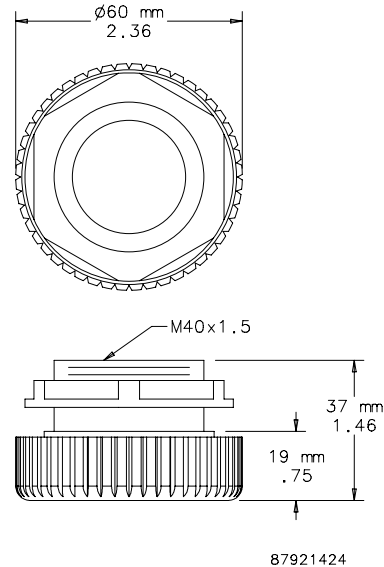
*DuPont and Zytel are trademarks or registered trademarks of E. I. duPont de Nemours and Company.*

Bulletin: D85

#### Standard Product

Catalog Number	AxB in./mm	Depth in Enclosure in./mm	Operating/Storage Temperature °F	Operating/Storage Temperature °C
APCDABS	2.36 x 1.46	0.6	-40 to 176	-40 to 80
	60 x 37	15		

A dimension = diameter





## Condensation and Pressure Compensation Devices

### Notes