



## Disconnect: Free-Stand Stainless Steel Preferred-Cutout Disconnect Enclosures Stainless Steel Heavy Duty Disconnect Enclosures

### Stainless Steel Heavy-Duty Free-Stand Enclosures for Flange-Mount Disconnects, Type 4X



#### Application

This disconnect enclosure is designed to house electronic controls and components. It provides protection from noncorrosive or mildly corrosive elements in both indoor and outdoor environments. Typical applications are in the food and beverage, packaging, water, petroleum and chemical processing industries. Designed to house the most popular disconnect switches and circuit breakers.

#### Specifications

- Manufactured from 12 gauge Type 304 stainless steel
- Seams continuously welded and ground smooth
- Body stiffeners in larger enclosures for extra rigidity
- Body flange trough collar excludes liquids and contaminants
- Heavy-duty lifting eyes anchor into reinforced top
- Removable centerposts permit easy panel installation
- Heavy-gauge continuous hinges
- Heavy-duty 3-point latching mechanism operated by Type 316L stainless steel POWERGLIDE® padlocking handle on all doors
- Ends of latch rods have rollers for easier door closing
- Panel supports
- Data pocket is high-impact thermoplastic
- Seamless foam-in-place gasket provides oil-tight and dust-tight seal against contaminants
- Removable 10 gauge steel panels mount on collar studs
- Master door is far right-hand door on all enclosures
- Type 316 stainless steel handle with defeater on master door
- Type 316 stainless steel handle (non-defeater) on slave door
- Mechanical interlock activated by master door prevents slave doors from being opened first. Doors can be closed in any order.
- Preferred cutout on right flange provides mounting for most disconnect operators
- Bonding provision on doors; grounding studs on body
- Accessory mounting channel provided in enclosure top

#### Industry Standards

UL 508A Listed 508; Type 3R, 4, 4X, 12; File No. E61997  
cUL Listed per CSA C22.2 No. 94; Type 3R, 4, 4X, 12; File No. E61997

NEMA/EEMAC Type 3R, Type 4, 4X, 12  
CSA File No. 42186: Type 4, 4X, 12  
IEC 60529, IP66  
Meets NEMA Type 3RX requirements

#### Finish

Stainless steel enclosures are unpainted. Sides and body have smooth #4 brushed finish. White mild steel panels are furnished with enclosure. Optional conductive panels are available.

#### Accessories

See also Accessories.

Electric Heater  
Compact Cooling Fans  
Floor Stand Kit

PANELITE™ Enclosure Lights Overview  
Operator Adapters for Preferred Cutouts

*An operator adapter for a preferred cutout must be ordered separately.*

#### Modification and Customization

Hoffman excels at modifying and customizing products to your specifications. Contact your local Hoffman sales office or distributor for complete information.

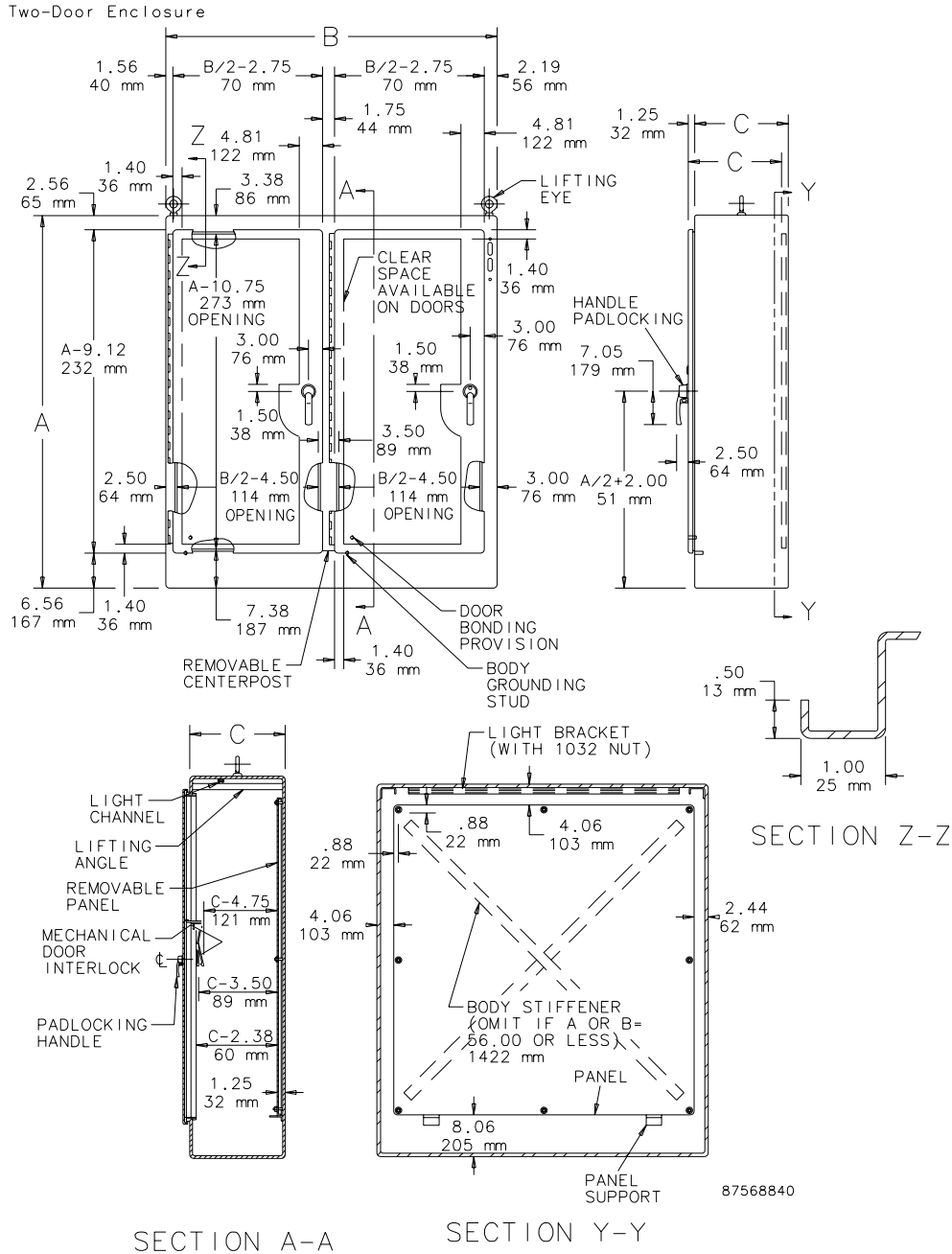
Bulletin: A28S4



Standard Product **Two-Door Enclosures**

Catalog Number	AxBxC in.	AxBxC mm	Panel	Conductive Panel	Panel Size (in.)	Panel Size (mm)
A72XM5418SSN4	72.12 x 54.50 x 18.12	1832 x 1384 x 460	A72PM54	A72PM54G	60.00 x 48.00	1524 x 1219
A72XM6618SSN4	72.12 x 66.50 x 18.12	1832 x 1689 x 460	A72PM66	A72PM66G	60.00 x 60.00	1524 x 1524
A72XM7818SSN4	72.12 x 78.50 x 18.12	1832 x 1994 x 460	A72PM78	A72PM78G	60.00 x 72.00	1524 x 1829
A84XM7818SSN4	84.12 x 78.50 x 18.12	2137 x 1994 x 460	A84PM78	A84PM78G	72.00 x 72.00	1829 x 1829
A90XM7818SSN4	90.12 x 78.50 x 18.12	2289 x 1994 x 460	A90PM78	A90PM78G	78.00 x 72.00	1981 x 1829
A90XM7820SSN4	90.12 x 78.50 x 20.12	2289 x 1994 x 511	A90PM78	A90PM78G	78.00 x 72.00	1981 x 1829
A72XM7824SSN4	72.12 x 78.50 x 24.12	1832 x 1994 x 613	A72PM78	A72PM78G	60.00 x 72.00	1524 x 1829
A84XM7824SSN4	84.12 x 78.50 x 24.12	2137 x 1994 x 613	A84PM78	A84PM78G	72.00 x 72.00	1829 x 1829
A90XM7824SSN4	90.12 x 78.50 x 24.12	2289 x 1994 x 613	A90PM78	A90PM78G	78.00 x 72.00	1981 x 1829

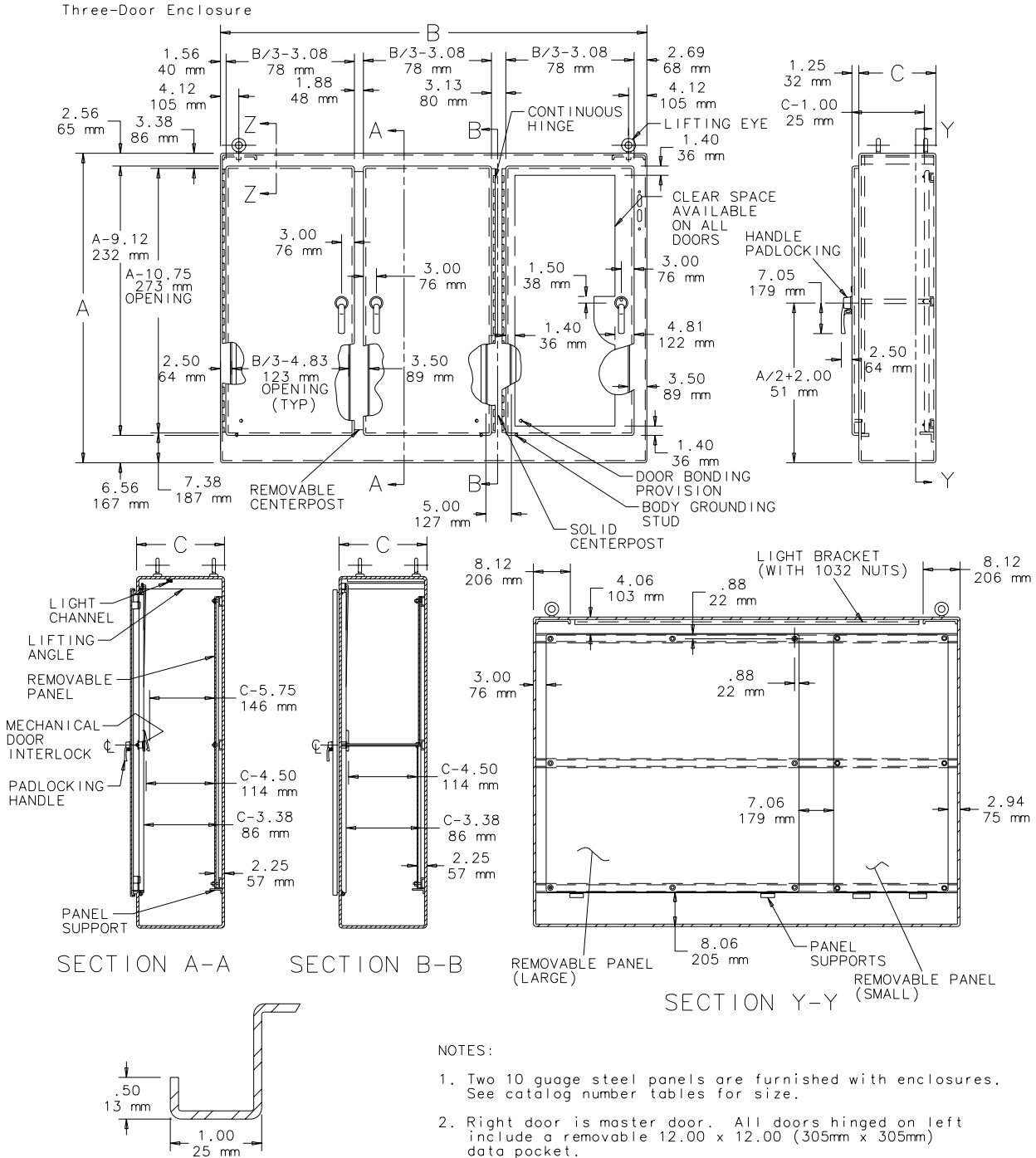
White mild steel panels are furnished with enclosure. Purchase conductive panels separately.



Standard Product **Three-Door Enclosures**

Catalog Number	AxBxC in.	AxBxC mm	Large Panel	Conductive Large Panel	Number of Large Panels	Size of Large Panels (in.)	Size of Large Panels (mm)	Small Panel	Small Conductive Panel	Number of Small Panels	Size of Small Panels (in.)	Size of Small Panels (mm)
A72XM3EQ18SSN4	72.12 x 100.75 x 18.12	1832 x 2559 x 460	A72PM66	A72PM66G	1	60.00 x 60.00	1524 x 1524	A72PM34	A72PM34G	1	60.00 x 27.75	1524 x 705
A72XM3EW18SSN4	72.12 x 118.75 x 18.12	1832 x 3016 x 460	A72PM78	A72PM78G	1	60.00 x 72.00	1524 x 1829	A72PM40	A72PM40G	1	60.00 x 33.75	1524 x 857
A84XM3EW18SSN4	84.12 x 118.75 x 18.12	2137 x 3016 x 460	A84PM78	A84PM78G	1	72.00 x 72.00	1829 x 1829	A84PM40	A84PM40G	1	72.00 x 33.75	1829 x 857
A84XM3EW24SSN4	84.12 x 118.75 x 24.12	2137 x 3016 x 613	A84PM78	A84PM78G	1	72.00 x 72.00	1829 x 1829	A84PM40	A84PM40G	1	72.00 x 33.75	1829 x 857
A90XM3EW24SSN4	90.12 x 118.75 x 24.12	2289 x 3016 x 613	A90PM78	A90PM78G	1	78.00 x 72.00	1981 x 1829	A90PM40	A90PM40G	1	78.00 x 33.75	1981 x 857

White mild steel panels are furnished with enclosure. Purchase conductive panels separately.



- NOTES:
- Two 10 gauge steel panels are furnished with enclosures. See catalog number tables for size.
  - Right door is master door. All doors hinged on left include a removable 12.00 x 12.00 (305mm x 305mm) data pocket.

87568841



## Disconnect: Free-Stand Stainless Steel Preferred-Cutout Disconnect Enclosures

### Stainless Steel Heavy Duty Disconnect Enclosures

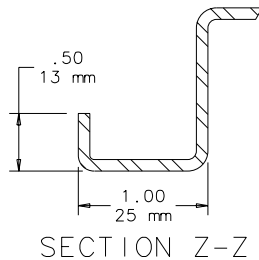
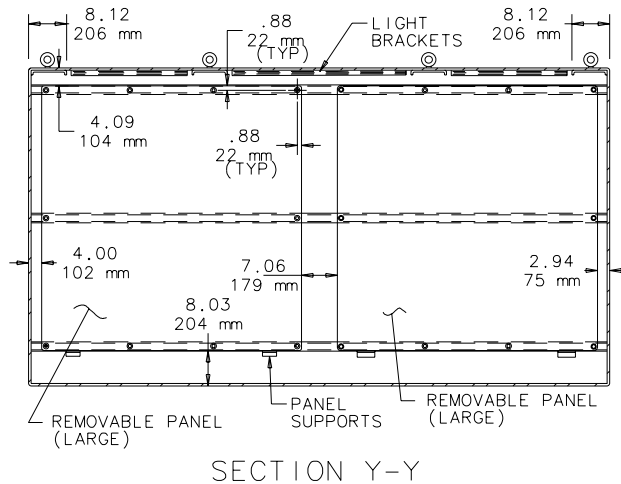
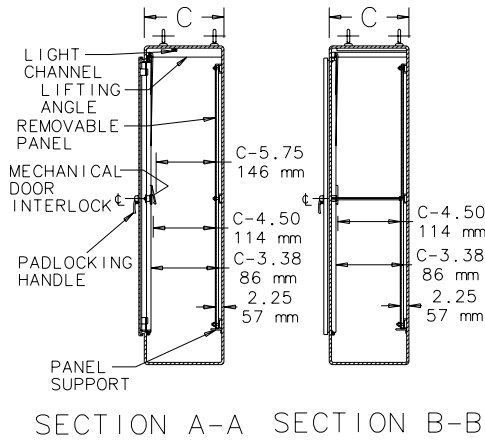
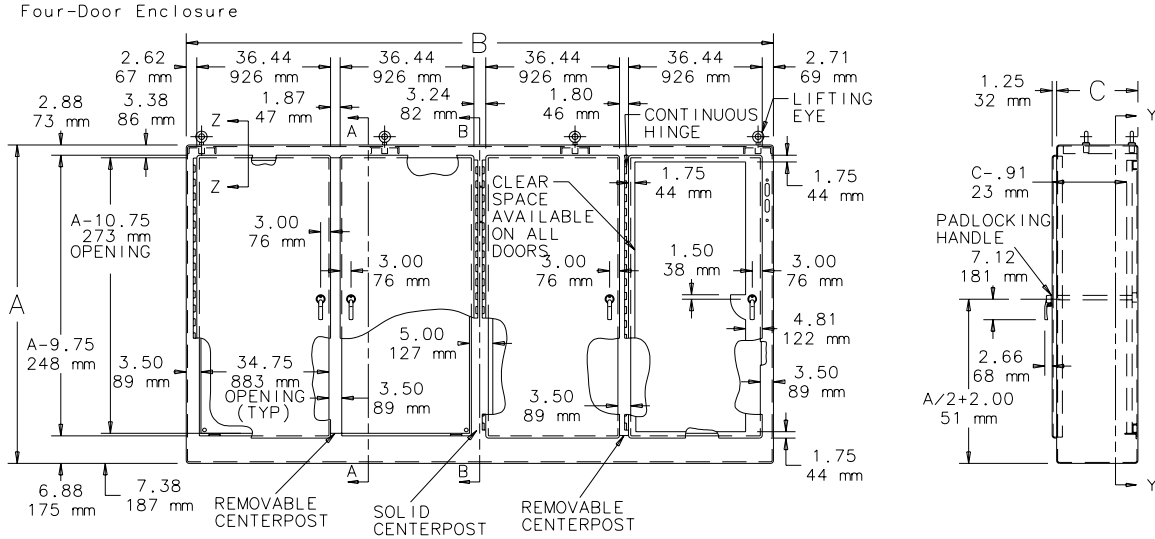
#### Standard Product Four- and Five-Door Enclosures

Catalog Number	AxBxC in.	AxBxC mm	Number of Doors	Panel	Number of Panels	Size of Panels (in.)	Sizes of Panels (mm)
A72XM4EW18SSN4	72.12 x 158.00 x 18.12	1832 x 4013 x 460	4	A72PM78	2	60.00 x 72.00	1524 x 1829
A84XM4EW18SSN4	84.12 x 158.00 x 18.12	2137 x 4013 x 460	4	A84PM78	2	72.00 x 72.00	1829 x 1829
A84XM5EW24SSN4	84.12 x 197.75 x 24.12	2137 x 5023 x 613	5	A84PM78 and A84PM40	2 and 1	72.00 x 72.00 and 72.00 x 33.75	1829 x 1829 and 1329 x 857

White mild steel panels are furnished with enclosure. Optional conductive panels are available.

All 24.12-in. (613-mm) and deeper enclosures using short connecting rods in the following models require a Hoffman platform assembly, catalog number ADSCPA, purchased separately. • ABB Controls flange-operated devices • Eaton Cutler-Hammer C361 devices • Eaton Cutler-Hammer C371 mechanisms which use C371E, F, G, K operating mechanism • General Electric Type TDA devices (see next paragraph for option) • Schneider Square D Class 9422 devices (see next paragraph for option)

The platform assembly can be omitted if long connecting rods are ordered in place of short connecting rods. • For Eaton Cutler-Hammer operating mechanisms C371E and C371F order catalog number C371CS1 connecting rod. For C371G and C371K order catalog number C371CS2 connecting rod. • For General Electric devices, order catalog number TDSR extended length drive rod • For Schneider Square D devices, order catalog number 9422-R2 extra long operating rod(s). Some devices require two rods. Consult factory for space occupied on panel when platform is used.



87926296



### Disconnect Mounting Space

Disconnects will occupy space on panel shown by dimensions E1, F1 and G1 in the diagram. Wiring space W1 is available when disconnect is installed in the enclosure.

See the *Technical Information* section for E1 Spacing by Enclosure Height for various disconnect switch manufacturers.

Refer to *National Electrical Code*®, 2005 article 430-10(b) for wiring space required for line side conductors to be connected to disconnect.

**Verify your application to determine if wiring space is adequate.**

**All 24.12-in. (613-mm) and deeper enclosures** using short connecting rods by the following manufacturers require a Hoffman platform assembly, catalog number ADSCPA, purchased separately.

- ABB Controls flange-operated devices
- Eaton Cutler-Hammer C361 devices
- Eaton Cutler-Hammer C371 mechanisms which use C371E, F, G, K operating mechanism (see Disconnect Enclosure Accessories)
- General Electric Type TDA devices (see Disconnect Enclosure Accessories)
- Schneider Square D® Class 9422 devices (see Disconnect Enclosure Accessories)

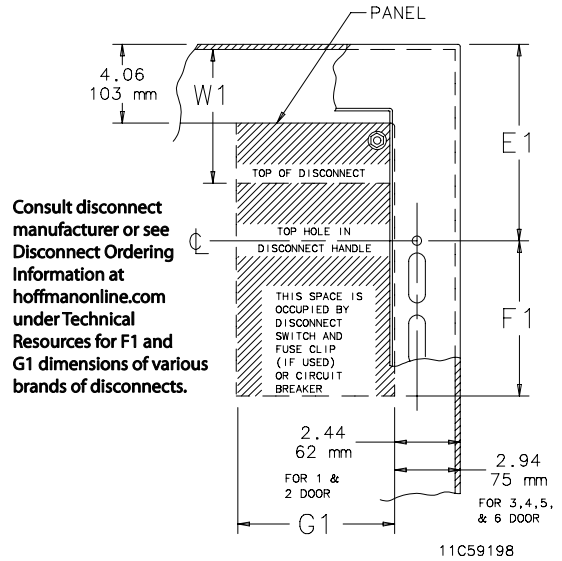
The platform assembly can be omitted if long connecting rods are ordered in place of short connecting rods.

- For Eaton Cutler-Hammer operating mechanisms C371E and C371F order catalog number C371CS1 connecting rod. For C371G and C371K order catalog number C371CS2 connecting rod.
- For General Electric devices, order catalog number TDSR extended length drive rod
- For Schneider Square D devices, order catalog number 9422-R2 extra long operating rod(s). Some devices require two rods.

Consult factory for space occupied on panel when platform is used.

### A Complete Assembly Consists of:

1. An enclosure
2. A panel
3. An operator adapter (see Disconnect Enclosure Accessories in this publication to select the proper operator adapter for the brand and type of disconnect being used). *Door hardware is furnished with enclosure.*
4. A disconnect device.



**Consult disconnect manufacturer or see Disconnect Ordering Information at [hoffmanonline.com](http://hoffmanonline.com) under Technical Resources for F1 and G1 dimensions of various brands of disconnects.**



**Disconnect: Free-Stand Stainless Steel Preferred-Cutout Disconnect Enclosures**  
**Stainless Steel Heavy Duty Disconnect Enclosures**

**Notes**



## Preferred-Cutout Overview



### Application

Enclosures having the preferred cutout are sized for use with up to 200 A disconnect switches and up to 400A circuit breakers unless otherwise specified. The preferred cutout accepts the smaller operating handle whose mounting hole centers are 4.688 in. apart. Preferred cutouts are standard in mild steel wall-mount enclosures, modular enclosures and some select large mild steel enclosures. They are also present on all standard stainless steel offerings. Operator adapters for preferred cutouts must be ordered separately to be used with A21S, A28S4, WS2D and A4S enclosures.

Preferred cutouts are designed to house the following:

#### Allen-Bradley

- Bulletin 1494V disconnect switches with flange-mount variable-depth operating mechanisms and Bulletin 1494V flange-mount variable-depth operating mechanisms for circuit breakers
- Bulletin 140U flexible cable operating mechanisms for 140U molded case circuit breakers
- Bulletin 1494C cable-operated disconnect switches with flange-mount handles
- Bulletin 194RC cable-operated flange-mount handles for use with the NFPA 79 compliant 194R IEC rotary disconnect switches

*Allen-Bradley Bulletin 1494V-R1, -R2 and -W2 operating handles and Allen-Bradley Bulletin 1494F disconnect devices or Bulletin 1494D circuit breaker operators will NOT fit these enclosures.*

**ABB Controls** flange-mount variable-depth operating mechanisms for disconnect switches and circuit breakers. Also the cable version for circuit breakers.

**Eaton Cutler-Hammer** Type C361 flange-mount variable-depth operating mechanisms with disconnect switches and Type C371 flange-mount variable-depth operating mechanisms for circuit breakers.

**General Electric** Type STDA flange handles and variable-depth operating mechanisms for disconnect switches and circuit breakers. Also SPECTRAFLEX™ cable operators for circuit breakers.

**Siemens ITE MAX FLEX®** flange-mount variable-depth operating handles for circuit breakers.

**Schneider Square D®** Class 9422 disconnect switches with flange-mount variable-depth operating mechanisms or cable mechanisms and Class 9422 flange-mount variable-depth operating mechanisms or cable mechanisms for circuit breakers.

*These enclosures will NOT accept Square D Class 9422 bracket-mounted disconnect devices, Class 9422TG1 or TG2 devices.*

### Ordering

Order the disconnect switch, operating handle and operating mechanism separately. See Technical Information in the Hoffman Specifier's Guide for wire bend space available when various manufacturers' disconnect switches are installed or Disconnect Ordering Information at [hoffmanonline.com](http://hoffmanonline.com) for disconnect ordering guidelines and wire bend space available. Check the enclosure dimension drawings to verify the chosen disconnect switch will fit in the enclosure.

**All 24.12-in. (613-mm) and deeper enclosures** using short connecting rods by the following manufacturers require a Hoffman platform assembly, catalog number ADSCPA, purchased separately.

- ABB Controls flange-operated devices
- Eaton Cutler-Hammer C361 devices
- Eaton Cutler-Hammer C371 mechanisms which use C371E, F, G, K operating mechanism (see Disconnect Enclosure Accessories)
- General Electric Type TDA devices (see Disconnect Enclosure Accessories)
- Schneider Square D® Class 9422 devices (see Disconnect Enclosure Accessories)

The platform assembly can be omitted if long connecting rods are ordered in place of short connecting rods.

- For Eaton Cutler-Hammer operating mechanisms C371E and C371F order catalog number C371CS1 connecting rod. For C371G and C371K order catalog number C371CS2 connecting rod.
- For General Electric devices, order catalog number TDSR extended length drive rod
- For Schneider Square D devices, order catalog number 9422-R2 extra long operating rod(s). Some devices require two rods. Consult factory for space occupied on panel when platform is used.



**Disconnect: Free-Stand Stainless Steel Preferred-Cutout Disconnect Enclosures**  
**Free-Stand Preferred-Cutout Stainless Steel Disconnect Overview**

**Notes**