

Hinge Cover

Continuous Hinge with Clamps, EMC, Type 4X



Application

Use this enclosure in corrosive indoor or outdoor applications to contain stray electromagnetic interference (EMI) signals produced by internal components and to shield those components from external EMI/RFI interference.

Specifications

- 16 and 14 gauge Type 304 stainless steel
- Seams continuously welded and ground smooth
- Seamless foam-in-place gasket adjacent to monel mesh assures water-tight, dust-tight and EMI seal
- Stainless steel screws and clamps
- Removable door with continuous hinge
- Weldnuts provided for mounting optional panels and terminal kits
- Bonding provision on door

Finish

Cover and sides of body have a smooth #4 brushed finish.

Accessories

See also Accessories.

Fast-Operating Clamp-Cover Junction Box Clamp

Panels for Junction Boxes

Terminal Block Kit Assembly for Junction Boxes Overview
Steel and Stainless Steel Window Kits

Bulletin: A51SE

Industry Standards

UL 50, 50E Listed; Type 4, 4X, 12; File No. E27567
cUL Listed per CSA C22.2 No 94; Type 4, 4X, 12; File No. E27567
UL 508A Listed; Type 4, 4X, 12; File No. E61997
cUL Listed per CSA C22.2 No 94; Type 4, 4X, 12; File No. E61997

NEMA/EEMAC Type 4, 4X, 12, 13
CSA File No. 42184: Type 4, 4X, 12
IEC 60529, IP66

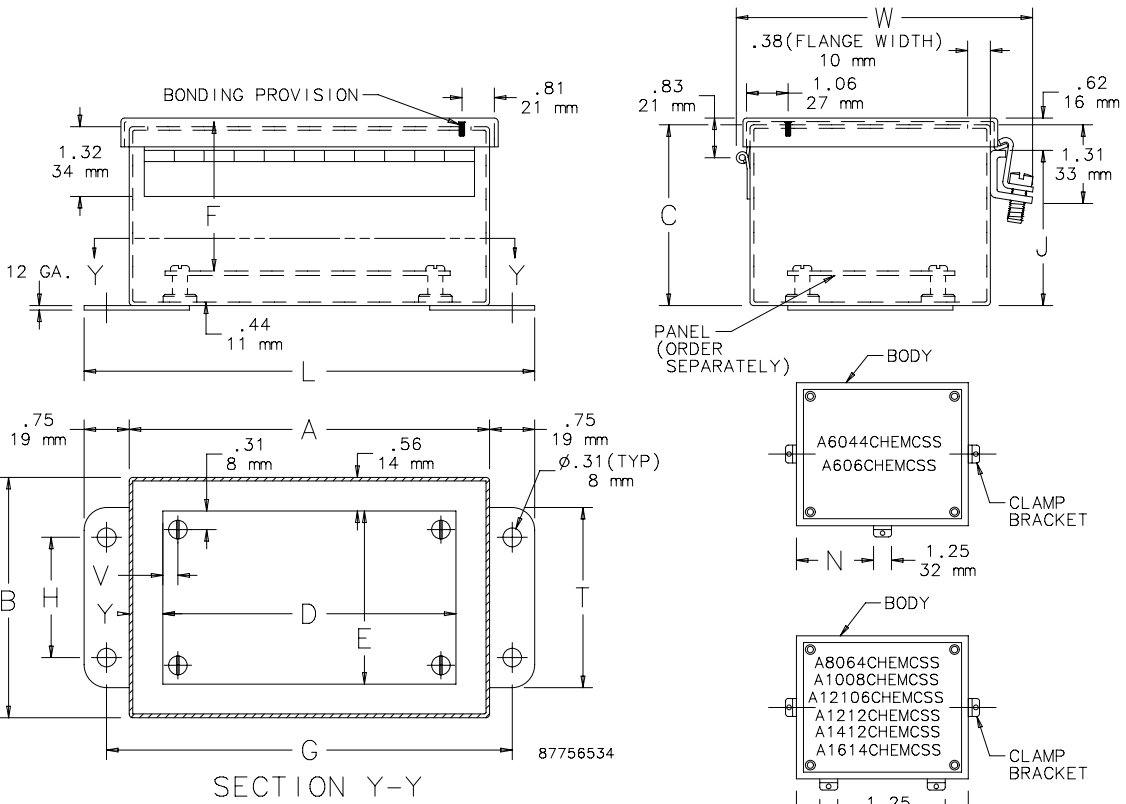
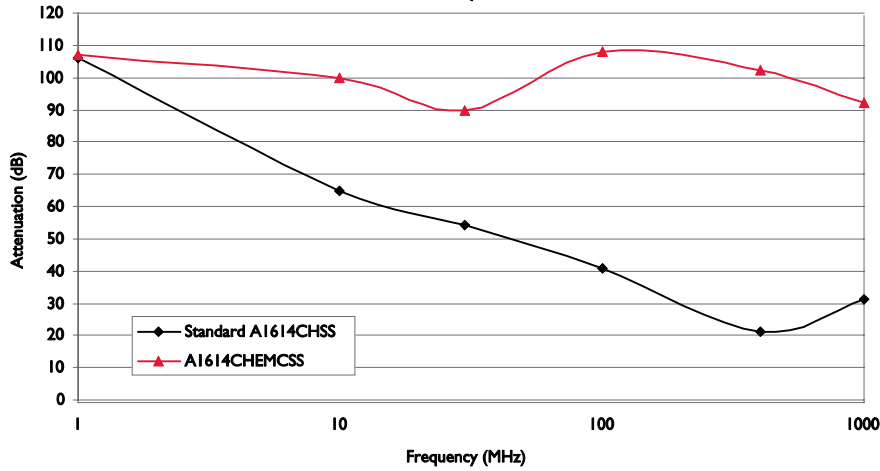
Standard Product

Catalog Number	AxBxC in./mm	UL Listed	Body Gauge	Cover Gauge	Stainless Steel Panel	Conductive Steel Panel	Panel Size D x E in./mm	Mounting G x H in./mm	Overall L x W in./mm	F in./mm	J in./mm	N in./mm	T in./mm	V in./mm	Y in./mm
A6044CHEMCSS	6.00 x 4.00 x 4.00 152 x 102 x 102	508A	16	16	A6P4SS	A6P4G	4.88 x 2.88 124 x 73	6.75 x 2.00 171 x 51	7.50 x 4.94 191 x 125	3.50 89	3.62 92	2.38 60	3.00 76	0.31 8	0.56 14
A606CHEMCSS	6.00 x 6.00 x 4.00 152 x 152 x 102	50, 50E	16	16	A6P6SS	A6P6G	4.88 x 4.88 124 x 124	6.75 x 4.00 171 x 102	7.50 x 6.94 191 x 176	3.50 89	3.62 92	2.38 60	5.00 127	0.31 8	0.56 14
A8064CHEMCSS	8.00 x 6.00 x 4.00 203 x 152 x 102	50, 50E	14	16	A8P6SS	A8P6G	6.75 x 4.88 171 x 124	8.75 x 4.00 222 x 102	9.50 x 6.94 241 x 176	3.50 89	3.62 92	1.38 35	5.00 127	0.25 6	0.62 16
A1008CHEMCSS	10.00 x 8.00 x 4.00 254 x 203 x 102	50, 50E	14	16	A10P8SS	A10P8G	8.75 x 6.88 222 x 175	10.75 x 6.00 273 x 152	11.50 x 8.94 292 x 227	3.50 89	3.62 92	1.38 35	7.00 178	0.25 6	0.62 16
A12106CHEMCSS	12.00 x 10.00 x 6.00 305 x 254 x 152	50, 50E	14	16	A12P10SS	A12P10G	10.75 x 8.88 273 x 225	12.75 x 8.00 324 x 203	13.50 x 10.94 343 x 278	5.50 140	5.62 143	2.38 60	9.00 229	0.25 6	0.62 16
A1212CHEMCSS	12.00 x 12.00 x 6.00 305 x 305 x 152	50, 50E	14	16	A12P12SS	A12P12G	10.75 x 10.88 273 x 276	12.75 x 10.00 324 x 254	13.50 x 12.94 343 x 329	5.50 140	5.62 143	2.38 60	11.00 279	0.25 6	0.62 16
A1412CHEMCSS	14.00 x 12.00 x 6.00 356 x 305 x 152	50, 50E	14	16	A14P12SS	A14P12G	12.75 x 10.88 324 x 276	14.75 x 10.00 375 x 254	15.50 x 12.94 394 x 329	5.50 140	5.62 143	2.38 60	11.00 279	0.25 6	0.62 16
A1614CHEMCSS	16.00 x 14.00 x 6.00 406 x 356 x 152	50, 50E	14	16	A16P14SS	A16P14G	14.75 x 12.88 375 x 327	16.75 x 12.00 425 x 305	17.50 x 14.94 445 x 379	5.50 140	5.62 143	2.38 60	13.00 330	0.25 6	0.62 16

Purchase panels separately.

Hinge Cover

Stainless Steel JIC Shielding Effectiveness
A1614CHEMCSS Shielded Box Compared to A1614CHSS Standard Box



NOTE:
1. Optional panels are 14 gauge steel, conductive steel or stainless steel.
2. Panel screws are No. 10-32 pan head.