



A Pentair Company

Rev. B March 2005

# Medium Type I Enclosures



## Application

Designed for use in control and instrumentation applications in areas which do not require oil-tight and dust-tight specifications.

## Construction

- 16 or 14 gauge steel
- Doors have butt hinges and slotted flush latches. Optional latches available (see next page)
- Mounting holes on back of enclosure
- Collar studs provided for mounting optional panel
- Slotted flush latches. Optional latches available (see next page).

## Finish

ANSI 61 gray polyester powder paint finish inside and out over phosphatized surfaces.

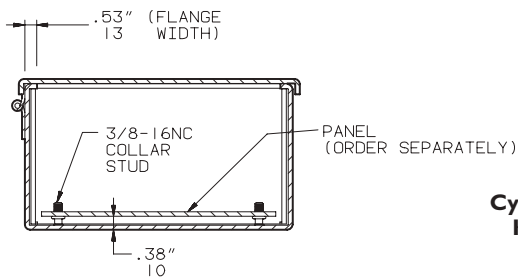
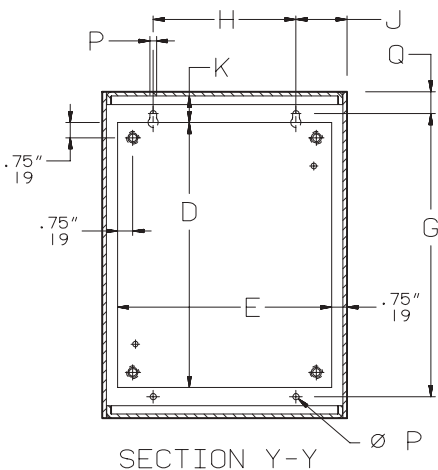
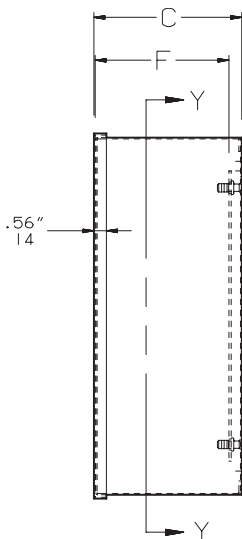
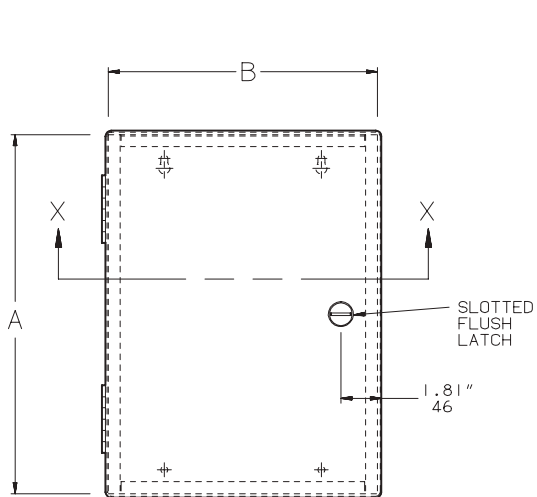
Optional solid panels are white and optional perforated panels are gray.

## Industry Standards

UL 50, File No. E27567: Type I (see Table)  
 NEMA/EEMAC Type I  
 CSA, File No. LL42184: Type I  
 IEC 60529, IP30

## Accessories

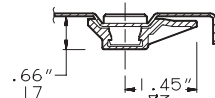
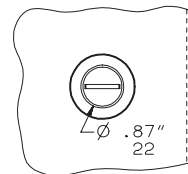
Cylinder Lock Kit  
 Electric Heater  
 Electrical Interlock  
 Grounding Device  
 Panels (see Table)  
 Rack Mounting Angle Kit  
 "T" Handle Latch Kit  
 Touch-Up Paint (ATPPY61)  
 Window Kit



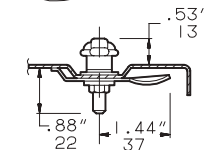
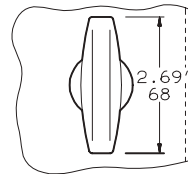
SECTION X-X

C2573

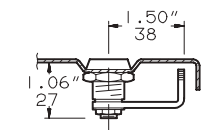
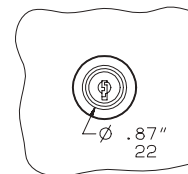
### Standard Slotted Flush Latch



### "T" Handle Latch Kit AL7A (optional)



### Cylinder Lock Kit AL12AR (optional)



C2596-2



**Standard Sizes Medium Type I Enclosures**

Enclosure Catalog Number	Enclosure Size A x B x C	* Panel Catalog Number	* Perf. Panel Catalog Number	Panel Size D x E	Panel Gauge	Mounting							
						G	H	J	Q	P	F	K	
A16N12ALP	16.00 x 12.00 x 6.62 (406 x 305 x 168)	A16N12MP	A16N12MPP	13.00 x 10.50 (330 x 267)	14	13.88 (353)	7.00 (178)	2.50 (64)	1.06 (27)	0.31 (8)	6.00 (152)	1.50 (38)	
A16N16ALP	16.00 x 16.00 x 6.62 (406 x 406 x 168)	A16N16MP	A16N16MPP	13.00 x 14.50 (330 x 368)	14	13.88 (353)	11.00 (279)	2.50 (64)	1.06 (27)	0.31 (8)	6.00 (152)	1.50 (38)	
A16N20ALP	16.00 x 20.00 x 6.62 (406 x 508 x 168)	A16N20MP	A16N20MPP	13.00 x 18.50 (330 x 470)	14	13.88 (353)	15.00 (381)	2.50 (64)	1.06 (27)	0.31 (8)	6.00 (152)	1.50 (38)	
A20N16ALP	20.00 x 16.00 x 6.62 (508 x 406 x 168)	A20N16MP	A20N16MPP	17.00 x 14.50 (432 x 368)	14	17.88 (454)	11.00 (279)	2.50 (64)	1.06 (27)	0.31 (8)	6.00 (152)	1.50 (38)	
A20N20ALP	20.00 x 20.00 x 6.62 (508 x 508 x 168)	A20N20MP	A20N20MPP	17.00 x 18.50 (432 x 470)	14	17.88 (454)	15.00 (381)	2.50 (64)	1.06 (27)	0.31 (8)	6.00 (152)	1.50 (38)	
A24N16ALP	24.00 x 16.00 x 6.62 (610 x 406 x 168)	A24N16MP	A24N16MPP	21.00 x 14.50 (533 x 368)	14	21.88 (556)	11.00 (279)	2.50 (64)	1.06 (27)	0.31 (8)	6.00 (152)	1.50 (38)	
A24N20ALP	24.00 x 20.00 x 6.62 (610 x 508 x 168)	A24N20MP	A24N20MPP	21.00 x 18.50 (533 x 470)	14	21.88 (556)	15.00 (381)	2.50 (64)	1.06 (27)	0.31 (8)	6.00 (152)	1.50 (38)	
A24N24ALP	24.00 x 24.00 x 6.62 (610 x 610 x 168)	A24N24MP	■ A24N24MPP	21.00 x 22.50 (533 x 572)	12	21.88 (556)	19.00 (483)	2.50 (64)	1.06 (27)	0.31 (8)	6.00 (152)	1.50 (38)	
A30N24ALP	30.00 x 24.00 x 6.62 (762 x 610 x 168)	A30N24MP	■ A30N24MPP	26.00 x 22.50 (660 x 572)	12	27.50 (699)	16.75 (425)	3.62 (92)	1.25 (32)	0.44 (11)	6.00 (152)	2.00 (51)	
A36N24ALP	36.00 x 24.00 x 6.62 (914 x 610 x 168)	A36N24MP	■ A36N24MPP	32.00 x 22.50 (813 x 572)	12	33.50 (851)	16.75 (425)	3.62 (92)	1.25 (32)	0.44 (11)	6.00 (152)	2.00 (51)	
A36N30ALP	36.00 x 30.00 x 6.62 (914 x 762 x 168)	A36N30MP	■ A36N30MPP	32.00 x 28.50 (813 x 724)	12	33.50 (851)	22.75 (578)	3.62 (92)	1.25 (32)	0.44 (11)	6.00 (152)	2.00 (51)	
A16N12BLP	16.00 x 12.00 x 8.62 (406 x 305 x 219)	A16N12MP	A16N12MPP	13.00 x 10.50 (330 x 267)	14	13.88 (353)	7.00 (178)	2.50 (64)	1.06 (27)	0.31 (8)	8.00 (203)	1.50 (38)	
A20N12BLP	20.00 x 12.00 x 8.62 (508 x 305 x 219)	A20N12MP	A20N12MPP	17.00 x 10.50 (432 x 267)	14	17.88 (454)	7.00 (178)	2.50 (64)	1.06 (27)	0.31 (8)	8.00 (203)	1.50 (38)	
A20N16BLP	20.00 x 16.00 x 8.62 (508 x 406 x 219)	A20N16MP	A20N16MPP	17.00 x 14.50 (432 x 368)	14	17.88 (454)	11.00 (279)	2.50 (64)	1.06 (27)	0.31 (8)	8.00 (203)	1.50 (38)	
A20N20BLP	20.00 x 20.00 x 8.62 (508 x 508 x 219)	A20N20MP	A20N20MPP	17.00 x 18.50 (432 x 470)	14	17.88 (454)	15.00 (381)	2.50 (64)	1.06 (27)	0.31 (8)	8.00 (203)	1.50 (38)	
A24N20BLP	24.00 x 20.00 x 8.62 (610 x 508 x 219)	A24N20MP	A24N20MPP	21.00 x 18.50 (533 x 470)	14	21.88 (556)	15.00 (381)	2.50 (64)	1.06 (27)	0.31 (8)	8.00 (203)	1.50 (38)	
A24N24BLP	24.00 x 24.00 x 8.62 (610 x 610 x 219)	A24N24MP	■ A24N24MPP	21.00 x 22.50 (533 x 572)	12	21.88 (556)	19.00 (483)	2.50 (64)	1.06 (27)	0.31 (8)	8.00 (203)	1.50 (38)	
A30N20BLP	30.00 x 20.00 x 8.62 (762 x 508 x 219)	A30N20MP	■ A30N20MPP	26.00 x 18.50 (660 x 470)	12	27.50 (699)	15.00 (381)	2.50 (64)	1.25 (32)	0.44 (11)	8.00 (203)	2.00 (51)	
A30N24BLP	30.00 x 24.00 x 8.62 (762 x 610 x 219)	A30N24MP	■ A30N24MPP	26.00 x 22.50 (660 x 572)	12	27.50 (699)	16.75 (425)	3.62 (92)	1.25 (32)	0.44 (11)	8.00 (203)	2.00 (51)	
A30N30BLP	30.00 x 30.00 x 8.62 (762 x 762 x 219)	A30N30MP	■ A30N30MPP	26.00 x 28.50 (660 x 724)	12	27.50 (699)	22.75 (578)	3.62 (92)	1.25 (32)	0.44 (11)	8.00 (203)	2.00 (51)	
A36N24BLP	36.00 x 24.00 x 8.62 (914 x 610 x 219)	A36N24MP	■ A36N24MPP	32.00 x 22.50 (813 x 572)	12	33.50 (851)	16.75 (425)	3.62 (92)	1.25 (32)	0.44 (11)	8.00 (203)	2.00 (51)	
A36N30BLP	36.00 x 30.00 x 8.62 (914 x 762 x 219)	A36N30MP	■ A36N30MPP	32.00 x 28.50 (813 x 724)	12	33.50 (851)	22.75 (578)	3.62 (92)	1.25 (32)	0.44 (11)	8.00 (203)	2.00 (51)	
A18N18CLP	18.00 x 18.00 x 10.62 (441 x 441 x 270)	A18N18MP	A18N18MPP	15.00 x 16.50 (381 x 419)	14	15.88 (403)	13.00 (330)	2.50 (64)	1.06 (27)	0.31 (8)	10.00 (254)	1.50 (38)	
A24N20CLP	24.00 x 20.00 x 10.62 (610 x 508 x 270)	A24N20MP	A24N20MPP	21.00 x 18.50 (533 x 470)	14	21.88 (556)	15.00 (381)	2.50 (64)	1.06 (27)	0.31 (8)	10.00 (254)	1.50 (38)	
A30N24CLP	24.00 x 24.00 x 10.62 (610 x 610 x 321)	A30N24MP	■ A30N24MPP	21.00 x 22.50 (533 x 572)	12	21.88 (556)	19.00 (483)	2.50 (64)	1.06 (27)	0.31 (8)	12.00 (305)	1.50 (38)	
A24N24DLP	24.00 x 24.00 x 12.62 (610 x 610 x 321)	A24N24MP	■ A24N24MPP	21.00 x 22.50 (533 x 572)	12	21.88 (556)	19.00 (483)	2.50 (64)	1.06 (27)	0.31 (8)	12.00 (305)	1.50 (38)	
A30N24DLP	30.00 x 24.00 x 12.62 (762 x 610 x 321)	A30N24MP	■ A30N24MPP	26.00 x 22.50 (660 x 572)	12	27.50 (699)	16.75 (425)	3.62 (92)	1.25 (32)	0.44 (11)	12.00 (305)	2.00 (51)	
A36N30DLP	36.00 x 30.00 x 12.62 (914 x 762 x 321)	A36N30MP	■ A36N30MPP	32.00 x 28.50 (813 x 724)	12	33.50 (851)	22.75 (578)	3.62 (92)	1.25 (32)	0.44 (11)	12.00 (305)	2.00 (51)	

Millimeter dimensions ( ) are for reference only; do not convert metric dimensions to inch. ■ Flanged on all four sides  
\* Panels must be ordered separately.