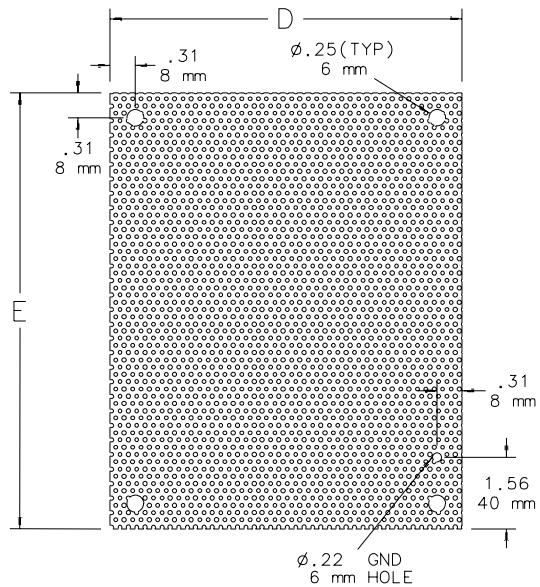
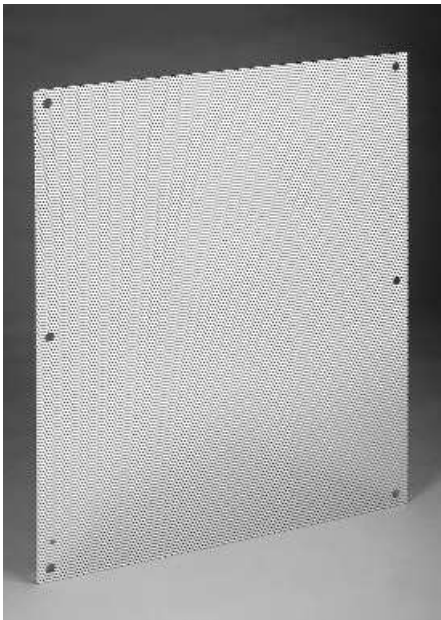


Perforated Panels



87756238

Application

Perforated panels for small and medium Type I panel enclosures and small Type 3R boxes are designed for mounting lightweight control components.

Construction

- 16 gauge steel
- 1/8 inch diameter holes, 1/4 inch staggered centers
- Mounting holes sized for #8 self-tapping screws

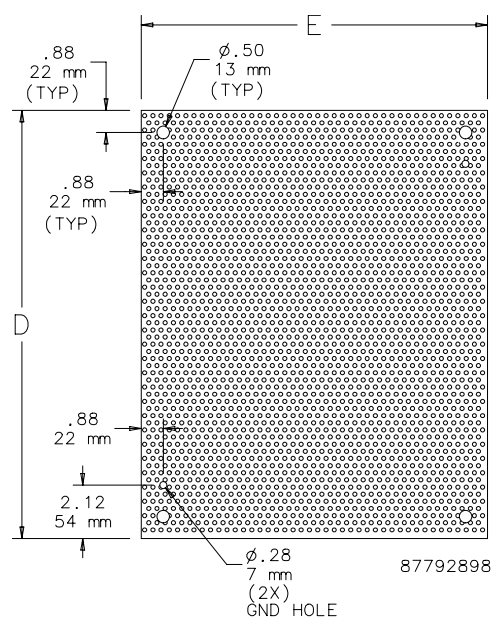
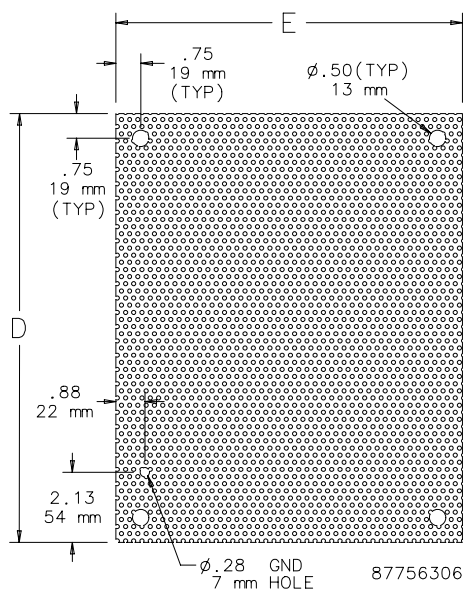
Finish

ANSI 61 gray polyester powder paint finish.

Standard Sizes Perforated Panels (small Type I panel enclosures and small Type 3R boxes)

Perforated Panel Catalog Number	Panel Thickness Gauge	Panel Size D x E
A6N6PP	16	4.25 x 4.25 (108 x 108)
A8N6PP	16	6.25 x 4.25 (159 x 108)
A8N8PP	16	6.25 x 6.25 (159 x 159)
A10N8PP	16	8.25 x 6.25 (210 x 159)
A10N10PP	16	8.25 x 8.25 (210 x 210)
A12N10PP	16	10.25 x 8.25 (260 x 210)
A12N12PP	16	10.25 x 10.25 (260 x 260)
A14N12PP	16	12.25 x 10.25 (311 x 260)
A16N12PP	16	14.25 x 10.25 (362 x 260)
A20N12PP	16	18.25 x 10.25 (464 x 260)

Millimeter dimensions () are for reference only; do not convert metric dimensions to inch.



Standard Sizes Perforated Panels (medium Type I panel enclosures)

Perforated Panel Catalog Number	Panel Thickness Gauge	Panel Size D x E
A16N12MPP	16	13.00 x 10.50 (330 x 267)
A20N12MPP	16	17.00 x 10.50 (432 x 267)
A16N16MPP	16	13.00 x 14.50 (330 x 368)
A20N16MPP	16	17.00 x 14.50 (432 x 368)
A24N16MPP	16	21.00 x 14.50 (533 x 368)
A18N18MPP	16	15.00 x 16.50 (381 x 419)
A16N20MPP	16	13.00 x 18.50 (330 x 470)
A20N20MPP	16	17.00 x 18.50 (432 x 470)
A24N20MPP	16	21.00 x 18.50 (533 x 470)
A24N24MPP *	16	21.00 x 22.50 (533 x 572)
A30N20MPP *	16	26.00 x 18.50 (660 x 470)
A30N24MPP *	16	26.00 x 22.50 (660 x 572)
A36N24MPP *	16	32.00 x 22.50 (813 x 572)
A30N30MPP *	16	26.00 x 28.50 (660 x 724)
A36N30MPP *	16	32.00 x 28.50 (813 x 724)

Millimeter dimensions () are for reference only; do not convert metric dimensions to inch.

* Flanged on all four sides.

Standard Sizes Perforated Panels (medium Type 3R hinged cover panel enclosures)

Perforated Panel Catalog Number	Panel Thickness Gauge	Panel Size D x E
A16P12PP	16	13.00 x 9.00 (330 x 229)
A16P16PP	16	13.00 x 13.00 (330 x 330)
A18P18PP	16	15.00 x 15.00 (381 x 381)
A20P16PP	16	17.00 x 13.00 (432 x 330)
A20P20PP	16	17.00 x 17.00 (432 x 432)
A24P20PP	16	21.00 x 17.00 (533 x 432)
A24P24PP *	16	21.00 x 21.00 (533 x 533)
A30P24PP *	16	27.00 x 21.00 (686 x 533)
A30P30PP *	16	27.00 x 27.00 (686 x 686)
A36P24PP *	16	33.00 x 21.00 (838 x 533)
A36P30PP *	16	33.00 x 27.00 (838 x 686)
A36P36PP *	16	33.00 x 33.00 (838 x 838)

7

Panels