

Hinged with 3-Point Latch or Quick-Release Latches, Type 4X

Hinged with 3-Point Latch or Quick-Release Latches, Type 4X



Industry Standards

UL 508A Listed; Type 3, 3R, 4, 4X, 12, 13; File No. E61997
cUL Listed per CSA C22.2 No 94; Type 3, 3R, 4, 4X, 12, 13; File No. E61997
Enclosure flammability evaluated per UL 508A

NEMA/EEMAC Type 3, 3R, 4, 4X, 12, 13
IEC 60529, IP66
Meets NEMA Type 3RX requirements

Application

A full range of modification options are available for wall-mount fiberglass enclosures, including variable depths to accommodate larger controls. These enclosures feature stainless steel padlocking hasps or Hoffman's exclusive POWERGLIDE® Handle with 3-point latching for ease of access with increased security.

Specifications

- Fiberglass-reinforced material has excellent temperature and chemical resistance qualities and exhibits outstanding physical properties
- Type 316L stainless steel padlocking POWERGLIDE Handle on 3-point latch versions assures security and a water-tight seal while still allowing convenient access
- Quick-release latch versions feature fiberglass-reinforced polyester latches with integral Type 316L stainless steel padlocking hasp
- Seams are sealed; no holes or knockouts
- Seamless foam-in-place gasket assures water-tight and dust-tight seal

- Fiberglass material is easily punched, drilled, filed or sawed
- Data pocket is high-impact thermoplastic
- Copper-flashed steel collar studs for mounting optional panels and terminal block kits

Finish

Fiberglass enclosure is gray inside and out. Handle is Type 316L stainless steel electropolished. Optional steel panels are painted white. Optional stainless steel, aluminum and composite panels available in select sizes.

Patents

Patent pending

Accessories

See also Accessories
H2OMIT® Thermoelectric Dehumidifier
H2OMIT® Vent Drains, Type 4X
HOL-SEALERS™ Non-Metallic Hole Seals
Panels
Stainless Steel Window Kits
Terminal Block Kit Assembly
Thermal Accessories

Modification and Customization

Hoffman excels at modifying and customizing products to your specifications. Contact your local Hoffman sales office or distributor for complete information.

Bulletin: A17W3, A17WM

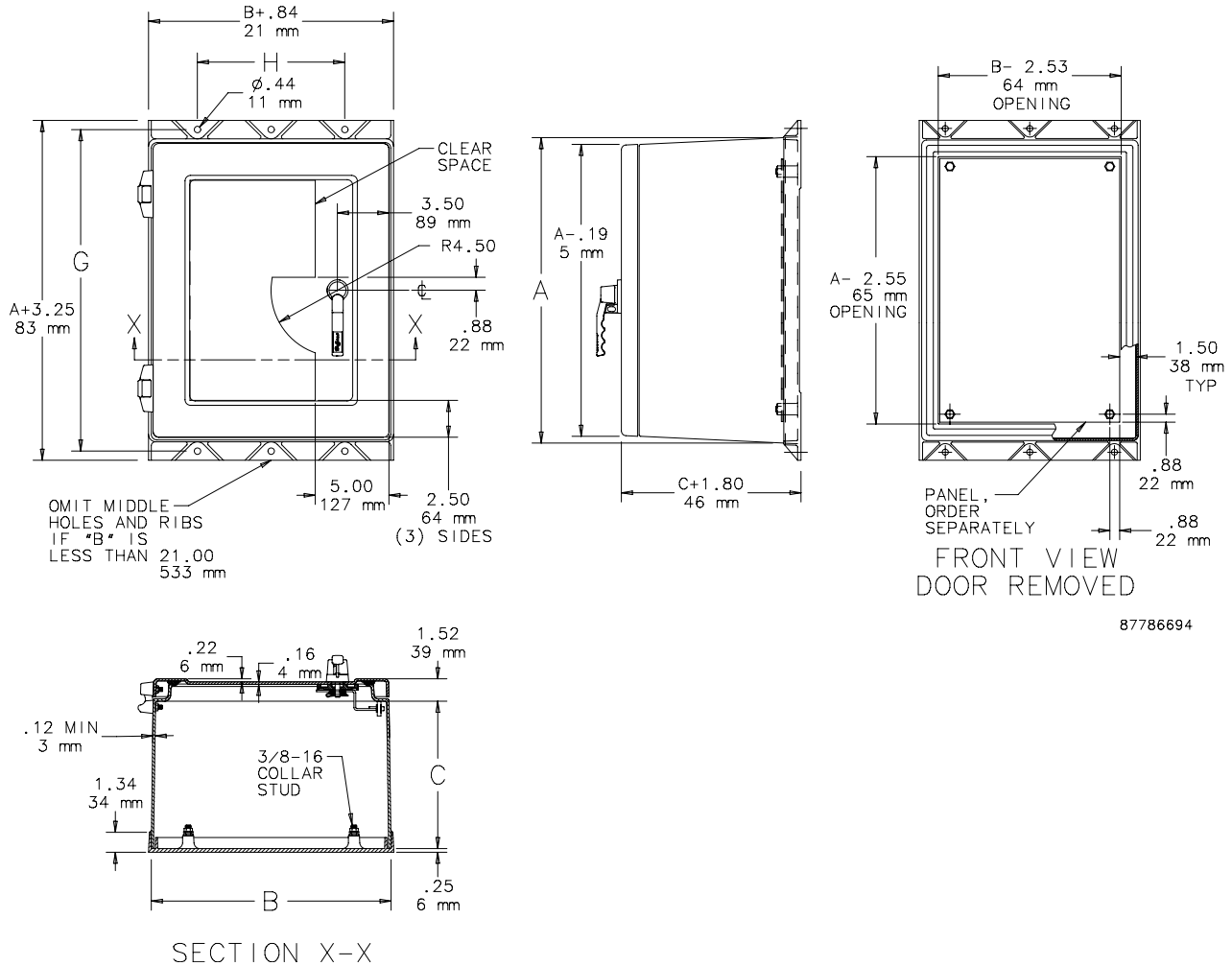
Hinged with 3-Point Latch or Quick-Release Latches, Type 4X

Standard Product 3-Point Latch

Catalog Number	AxBxC in.	AxBxC mm	Panel	Conductive Panel	Panel Size Height (in.)	Panel Size Height (mm)	Mtg G x H (in.)	Mtg G x H (mm)
A24H2006GQRLP3PT	24.25 x 20.25 x 6.00	616 x 514 x 203	A24P20	A24P20G	21.00 x 17.00	533 x 432	25.86 x 14.00	657 x 356
A20H2008GQRLP3PT	20.19 x 20.25 x 8.00	513 x 514 x 203	A20P20	A20P20G	17.00 x 17.00	432 x 432	21.81 x 14.00	554 x 356
A24H2008GQRLP3PT	24.25 x 20.25 x 8.00	616 x 514 x 203	A24P20	A24P20G	21.00 x 17.00	533 x 432	25.86 x 14.00	657 x 356
A24H2408GQRLP3PT	24.19 x 24.19 x 8.00	614 x 614 x 203	A24P24	A24P24	21.00 x 21.00	533 x 533	25.81 x 18.00	656 x 457
A30H2408GQRLP3PT	30.25 x 24.25 x 8.00	768 x 616 x 203	A30P24	A30P24G	27.00 x 21.00	686 x 533	31.95 x 18.00	812 x 457
A36H3008GQRLP3PT	36.25 x 30.25 x 8.00	921 x 768 x 203	A36P30	A36P30G	33.00 x 27.00	838 x 686	37.58 x 24.00	955 x 610
A24H2010GQRLP3PT	24.25 x 20.25 x 10.00	616 x 514 x 254	A24P20	A24P20G	21.00 x 17.00	533 x 432	25.86 x 14.00	657 x 356
A30H2410GQRLP3PT	30.25 x 24.25 x 10.00	768 x 616 x 254	A30P24	A30P24G	27.00 x 21.00	686 x 533	31.95 x 18.00	812 x 457
A24H2412GQRLP3PT	24.19 x 24.19 x 12.00	614 x 614 x 305	A24P24	A24P24G	21.00 x 21.00	533 x 533	25.81 x 18.00	656 x 457
A30H2412GQRLP3PT	30.25 x 24.25 x 12.00	768 x 616 x 305	A30P24	A30P24G	27.00 x 21.00	686 x 533	31.95 x 18.00	812 x 457
A36H3012GQRLP3PT	36.25 x 30.25 x 12.00	921 x 768 x 305	A36P30	A36P30G	33.00 x 27.00	838 x 686	37.58 x 24.00	955 x 610

Purchase panels separately. Optional stainless steel, composite and aluminum panels available for most sizes. See General Accessories.

Hinged with 3-Point Latch Enclosures



Hinged with 3-Point Latch or Quick-Release Latches, Type 4X

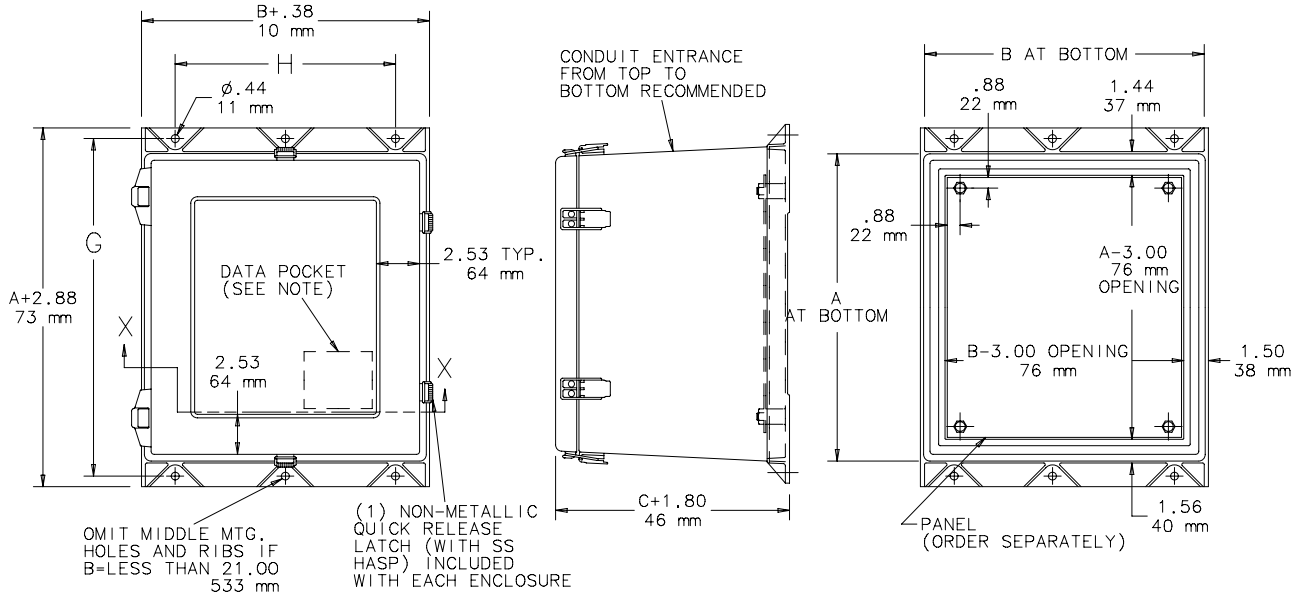
Standard Product Quick-Release Latch

Catalog Number	AxBxC in.	AxBxC mm	Panel	Cond. Panel	Panel Size (in.)	Panel Size (mm)	Mtg G x H (in.)	Mtg G x H (mm)	No. of Latches	Add'l "C" Dim's (in.)	Add'l "C" Dim's (mm)	Add'l "C" Dim's (in.)	Add'l "C" Dim's (mm)	Add'l "C" Dim's (in.)	Add'l "C" Dim's (mm)
A20H1606GQRLP	20.19 x 16.25 x 6.00	513 x 413 x 152	A20P16	A20P16G	17.00 x 13.00	432 x 330	21.81 x 10.00	554 x 254	4	—	—	—	—	—	—
A20H2006GQRLP	20.19 x 20.25 x 6.00	513 x 514 x 152	A20P20	A20P20G	17.00 x 17.00	432 x 432	21.81 x 14.00	554 x 356	4	—	—	—	—	—	—
A24H2006GQRLP	24.25 x 20.25 x 6.00	616 x 514 x 152	A24P20	A24P20G	21.00 x 17.00	533 x 432	25.86 x 14.00	657 x 356	4	—	—	—	—	—	—
A30H2406GQRLP	30.25 x 24.25 x 6.00	768 x 616 x 152	A30P24	A30P24G	27.00 x 21.00	686 x 533	31.95 x 18.00	812 x 457	5	—	—	—	—	—	—
A20H1608GQRLP	20.19 x 16.25 x 8.00	513 x 413 x 203	A20P16	A20P16G	17.00 x 13.00	432 x 330	21.81 x 10.00	554 x 254	4	—	—	—	—	—	—
A20H2008GQRLP	20.19 x 20.25 x 8.00	513 x 514 x 203	A20P20	A20P20G	17.00 x 17.00	432 x 432	21.81 x 14.00	554 x 356	4	—	—	—	—	—	—
A24H2008GQRLP	24.25 x 20.25 x 8.00	616 x 514 x 203	A24P20	A24P20G	21.00 x 17.00	533 x 432	25.86 x 14.00	657 x 356	4	—	—	—	—	—	—
A24H2408GQRLP	24.19 x 24.19 x 8.00	614 x 614 x 203	A24P24	A24P24G	21.00 x 21.00	533 x 533	25.81 x 18.00	656 x 457	4	—	—	—	—	—	—
A30H2408GQRLP	30.25 x 24.25 x 8.00	768 x 616 x 203	A30P24	A30P24G	27.00 x 21.00	686 x 533	31.95 x 18.00	812 x 457	5	—	—	—	—	—	—
A36H3008GQRLP	36.25 x 30.25 x 8.00	921 x 768 x 203	A36P30	A36P30G	33.00 x 27.00	838 x 686	37.58 x 24.00	955 x 610	5	—	—	—	—	—	—
A20H1610GQRLP	20.19 x 16.25 x 10.00	513 x 413 x 254	A20P16	A20P16G	17.00 x 13.00	432 x 330	21.81 x 10.00	554 x 254	4	—	—	—	—	—	—
A20H2010GQRLP	20.19 x 20.25 x 10.00	513 x 514 x 254	A20P20	A20P20G	17.00 x 17.00	432 x 432	21.81 x 14.00	554 x 356	4	—	—	—	—	—	—
A24H2010GQRLP	24.25 x 20.25 x 10.00	616 x 514 x 254	A24P20	A24P20G	21.00 x 17.00	533 x 432	25.86 x 14.00	657 x 356	4	—	—	—	—	—	—
A30H2410GQRLP	30.25 x 24.25 x 10.00	768 x 616 x 254	A30P24	A30P24G	27.00 x 21.00	686 x 533	31.95 x 18.00	812 x 457	5	—	—	—	—	—	—
A20H1612GQRLP	20.19 x 16.25 x 12.00	513 x 413 x 305	A20P16	A20P16G	17.00 x 13.00	432 x 330	21.81 x 10.00	554 x 254	4	—	—	—	—	—	—
A20H2012GQRLP	20.19 x 20.25 x 12.00	513 x 514 x 305	A20P20	A20P20G	17.00 x 17.00	432 x 432	21.81 x 14.00	554 x 356	4	—	—	—	—	—	—
A24H2012GQRLP	24.25 x 20.25 x 12.00	616 x 514 x 305	A24P20	A24P20G	21.00 x 17.00	533 x 432	25.86 x 14.00	657 x 356	4	11.00	279	—	—	—	—
A24H2412GQRLP	24.19 x 24.19 x 12.00	614 x 614 x 305	A24P24	A24P24G	21.00 x 21.00	533 x 533	25.81 x 18.00	656 x 457	4	—	—	—	—	—	—
A30H2412GQRLP	30.25 x 24.25 x 12.00	768 x 616 x 305	A30P24	A30P24G	27.00 x 21.00	686 x 533	31.95 x 18.00	812 x 457	5	—	—	—	—	—	—
A36H3012GQRLP	36.25 x 30.25 x 12.00	921 x 768 x 305	A36P30	A36P30G	33.00 x 27.00	838 x 686	37.58 x 24.00	955 x 610	5	—	—	—	—	—	—
A36H3612GQRLP	36.25 x 36.25 x 12.00	921 x 921 x 305	A36P36	A36P36G	33.00 x 33.00	838 x 838	37.58 x 30.00	955 x 762	7	—	—	—	—	—	—
A48H3612GQRLP	48.25 x 36.25 x 12.00	1226 x 921 x 305	A48P36	A48P36G	45.00 x 33.00	1143 x 838	49.56 x 30.00	1259 x 762	8	—	—	—	—	—	—
A60H3612GQRLP	60.25 x 36.25 x 12.00	1530 x 921 x 305	A60P36	A60P36G	57.00 x 33.00	1448 x 838	61.58 x 30.00	1564 x 762	8	—	—	—	—	—	—
A24H2016GQRLP	24.25 x 20.25 x 16.00	616 x 514 x 406	A24P20	A24P20G	21.00 x 17.00	533 x 432	25.86 x 14.00	657 x 356	4	14.00	356	—	—	—	—
A24H2416GQRLP	24.19 x 24.19 x 16.00	614 x 614 x 406	A24P24	A24P24G	21.00 x 21.00	533 x 533	25.81 x 18.00	656 x 457	4	6.00	152	10.00	254	14.00	356
A30H2416GQRLP	30.25 x 24.25 x 16.00	768 x 616 x 406	A30P24	A30P24G	27.00 x 21.00	686 x 533	31.95 x 18.00	812 x 457	5	—	—	—	—	—	—
A48H3616GQRLP	48.25 x 36.25 x 16.00	1226 x 921 x 406	A48P36	A48P36G	45.00 x 33.00	1143 x 838	49.56 x 30.00	1259 x 762	8	—	—	—	—	—	—
A60H3616GQRLP	60.25 x 36.25 x 16.00	1530 x 922 x 406	A60P36	A60P36G	57.00 x 33.00	1448 x 838	61.65 x 30.00	1566 x 762	8	—	—	—	—	—	—
A20H1620GQRLP	20.19 x 16.25 x 20.00	513 x 413 x 508	A20P16	A20P16G	17.00 x 13.00	432 x 330	21.81 x 10.00	554 x 254	4	14.00	356	16.00	406	18.00	457
A20H2020GQRLP	20.19 x 20.25 x 20.00	513 x 514 x 508	A20P20	A20P20G	17.00 x 17.00	432 x 432	21.81 x 14.00	554 x 356	4	14.00	356	16.00	406	18.00	457
A24H2020GQRLP	24.25 x 20.25 x 20.00	616 x 514 x 508	A24P20	A24P20G	21.00 x 17.00	533 x 432	25.86 x 14.00	657 x 356	4	14.00	356	16.00	406	18.00	457
A24H2420GQRLP	24.19 x 24.19 x 20.00	614 x 614 x 508	A24P24	A24P24G	21.00 x 21.00	533 x 533	25.81 x 18.00	656 x 457	4	18.00	457	—	—	—	—
A30H2420GQRLP	30.25 x 24.25 x 20.00	768 x 616 x 508	A30P24	A30P24G	27.00 x 21.00	686 x 533	31.95 x 18.00	812 x 457	5	14.00	356	16.00	406	18.00	457
A36H3020GQRLP	36.25 x 30.25 x 20.00	921 x 768 x 508	A36P30	A36P30G	33.00 x 27.00	838 x 686	37.72 x 24.00	958 x 610	5	—	—	—	—	—	—
A48H3620GQRLP	48.25 x 36.25 x 20.00	1226 x 921 x 508	A48P36	A48P36G	45.00 x 33.00	1143 x 838	49.72 x 30.00	1263 x 762	8	—	—	—	—	—	—
A24H2024GQRLP	24.25 x 20.25 x 24.00	616 x 514 x 610	A24P20	A24P20G	21.00 x 17.00	533 x 432	25.86 x 14.00	657 x 356	4	22.00	559	—	—	—	—
A24H2424GQRLP	24.19 x 24.19 x 24.00	614 x 614 x 610	A24P24	A24P24G	21.00 x 21.00	533 x 533	25.81 x 18.00	656 x 457	4	22.00	559	—	—	—	—
A30H2424GQRLP	30.25 x 24.25 x 24.00	768 x 616 x 610	A30P24	A30P24G	27.00 x 21.00	686 x 533	31.95 x 18.00	812 x 457	5	22.00	559	—	—	—	—

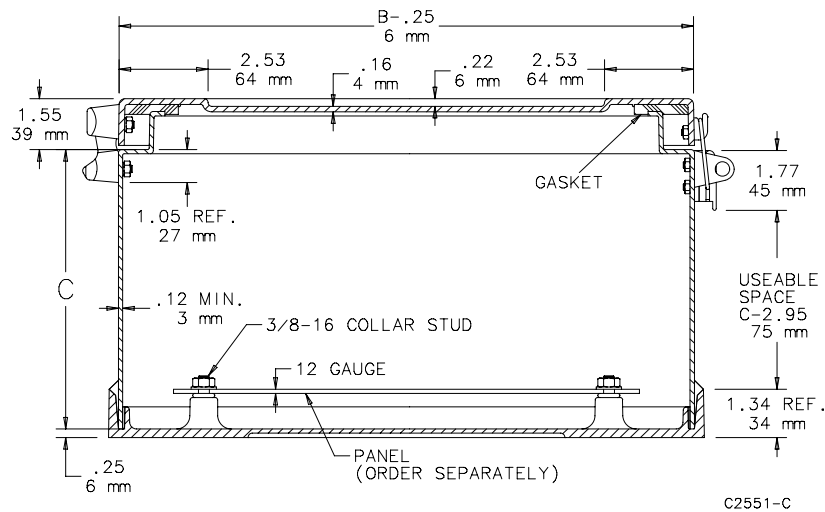
Purchase panels separately. Optional stainless steel, composite and aluminum panels are available for most sizes.

Hinged with 3-Point Latch or Quick-Release Latches, Type 4X

Hinged with Quick-Release Latch Enclosures 36 X 30 or Smaller Drawing

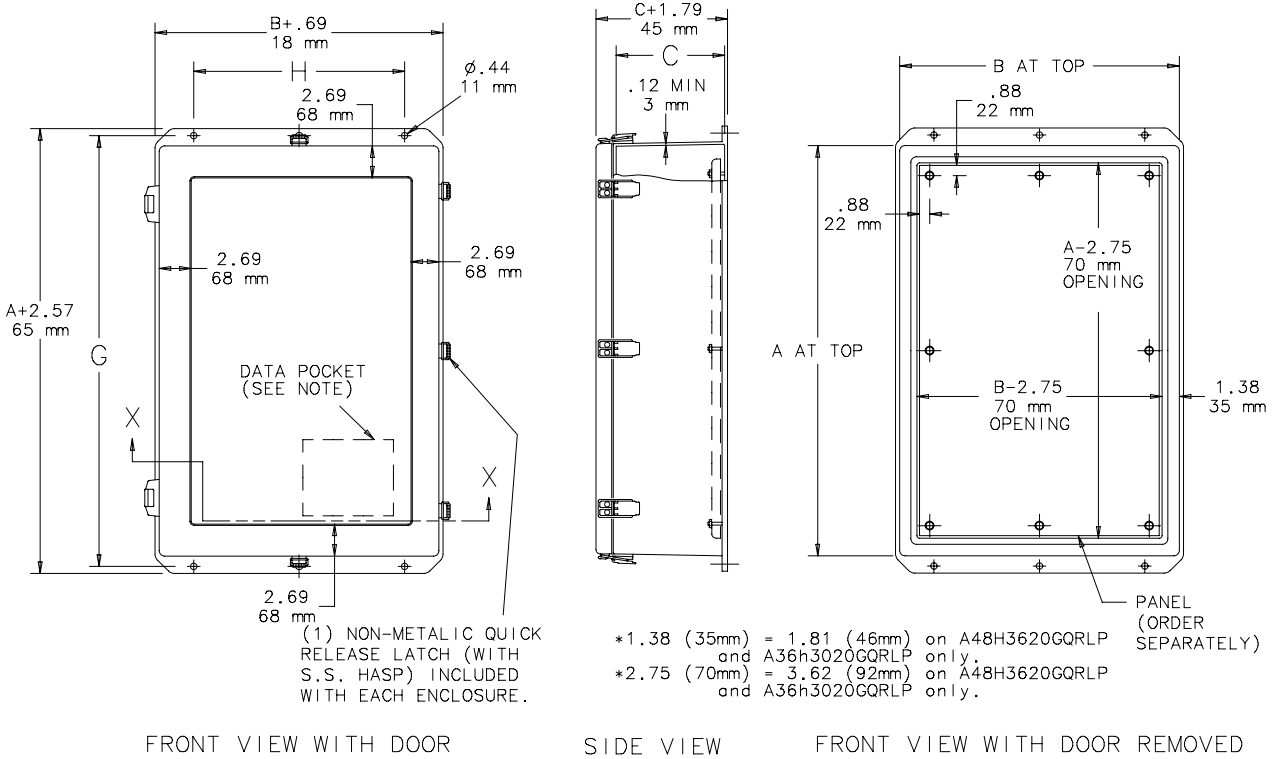


NOTE: Enclosure A36H3020GQRLP still is manufactured according to the drawing of enclosures 36 X 36 or larger.

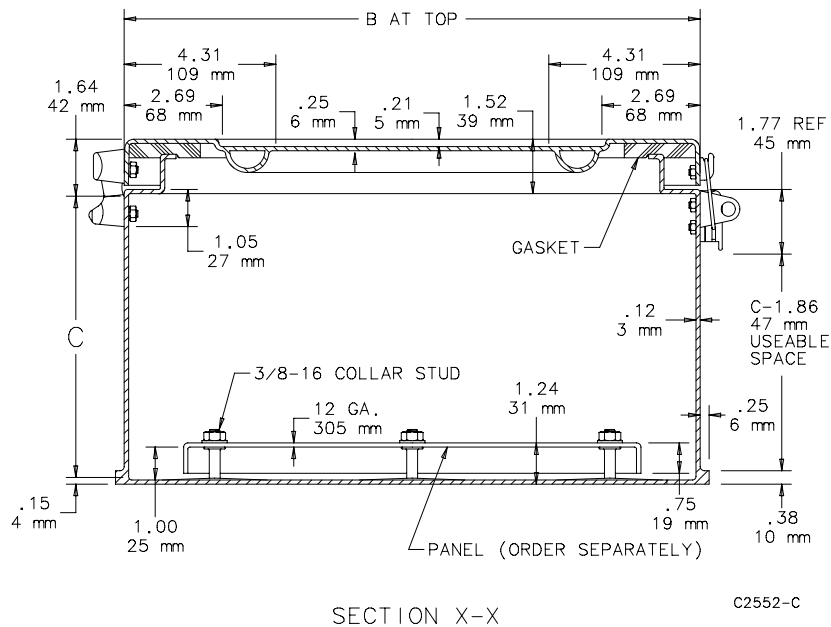


Hinged with 3-Point Latch or Quick-Release Latches, Type 4X

Hinged with Quick-Release Latch Enclosures 36 X 36 or Larger Drawing



NOTE: Large data pocket provision when A=30.00 (7.76mm) or more. Data pocket is furnished but not installed. Large data pocket is 12.00 X 12.00 (305mm X 305mm); small data pocket is 6.00 x 6.00 (152mm x 152mm).





Non-Metallic: Fiberglass

Hinged with 3-Point Latch or Quick-Release Latches, Type 4X

Notes