

## Filter Fan Packages

### Filter Fan Packages



#### Application

Ideal for clean environments, Filter Fan Packages use densely filtered, ambient air to pressurize enclosures so air cannot be drawn-in through poorly sealed doors, panels and wireway. This protects electronics from both heat and condensation.

Filter Fan Package includes the fan with grille, filter and filter sealing gasket. Exhaust Grille Kits are offered for each Filter Fan Package and must be ordered separately. Filter sealing gaskets are supplied with both Filter Fan Package and Exhaust Grille Kit to achieve an IP54 rating.

#### Features

- Simple, snap-in mounting
- Slim fan grille protrudes only .25 in. or less from enclosure mount
- Fan is completely installed inside plastic housing
- Removable grille cover
- Mounting hardware, full-size mounting template, drawings and installation instructions furnished

#### Specifications

- Housings are made of heat resistant, self-extinguishing ABS; color RAL 7042 gray (grille only)

#### Industry Standards

UL Component Recognized; UL Type 12; UL File No. E235470

IEC 60529, IP54  
CSA Certified (fan only)  
CE

Bulletin: MCL, MCLY

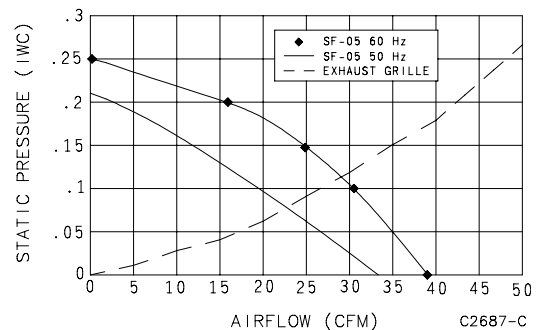
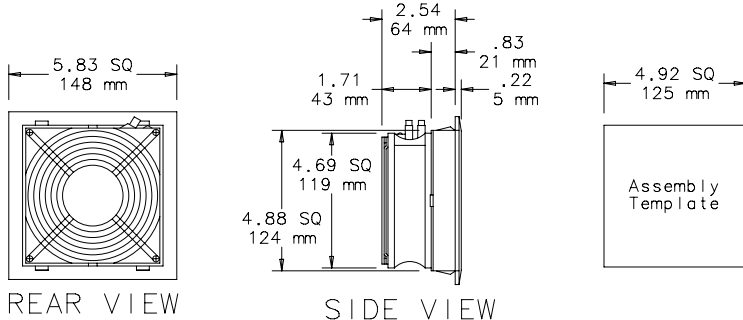
#### Standard Product

Catalog Number	AxBxC in./mm	Replacement Filter	Volt.	Hz	Phase	Full Load Amps	Motor RPM	Service Temp, Low (°F)	Service Temp, Low (°C)	Service Temp, High (°F)	Service Temp, High (°C)	Noise (dB) (A)	Shipping Weight (lb./kg)	Exhaust Grille Kit	Air Flow, Free Air, (CFM)	Air Flow, With 1 Exhaust Grill Kit, (CFM)
SF0516002	5.83 x 5.83 x 2.76 148 x 148 x 70	10100060	115	50/60	1	.22	2650/3100	14	-10	131	55	42	1.87 / .85	SG0500002	39	29
SF0526002	5.83 x 5.83 x 2.76 148 x 148 x 70	10100060	230	50/60	1	.11	2650/3100	14	-10	131	55	42	1.87 / .85	SG0500002	39	29
SF0916002	8.03 x 8.03 x 3.78 204 x 204 x 96	10100061	115	50/60	1	.22	2650/3100	14	-10	131	55	51	2.56 / 1.16	SG0900002	75	57
SF0926002	8.03 x 8.03 x 3.78 204 x 204 x 96	10100061	230	50/60	1	.11	2650/3100	14	-10	131	55	51	2.56 / 1.16	SG0900002	75	57
SF1016002	9.84 x 9.84 x 5.20 250 x 250 x 132	10100062	115	50/60	1	.53	2760/3030	14	-10	131	55	52	4.39 / 1.99	SG1000002	162	126
SF1026002	9.84 x 9.84 x 5.20 250 x 250 x 132	10100062	230	50/60	1	.30	2760/3030	14	-10	131	55	52	4.39 / 1.99	SG1000002	162	126
SF1316002	12.72 x 12.72 x 6.09 323 x 323 x 155	10100063	115	50/60	1	.89	2550/2800	14	-10	131	55	61	8.38 / 3.80	SG1300002	376	250
SF1326002	12.72 x 12.72 x 6.09 323 x 323 x 155	10100063	230	50/60	1	.45	2550/2800	14	-10	131	55	61	8.38 / 3.80	SG1300002	376	250

Order exhaust grille kit separately.

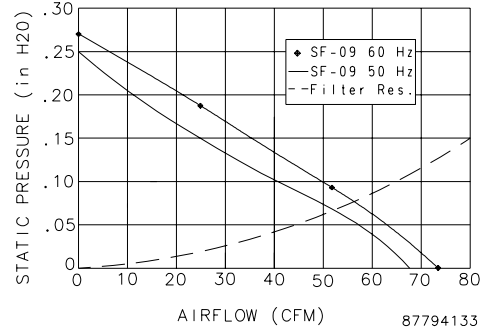
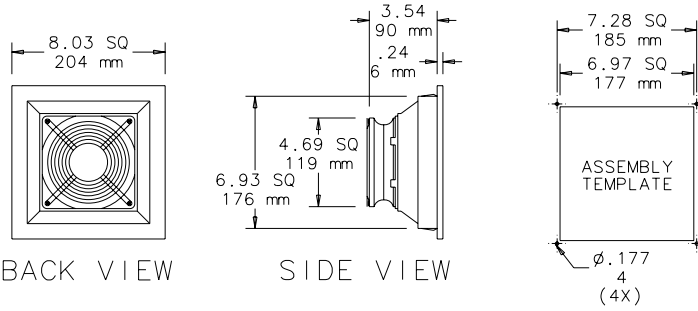
Actual airflow may vary depending on system impedance.

#### Series SF-05 Filter Fan Package

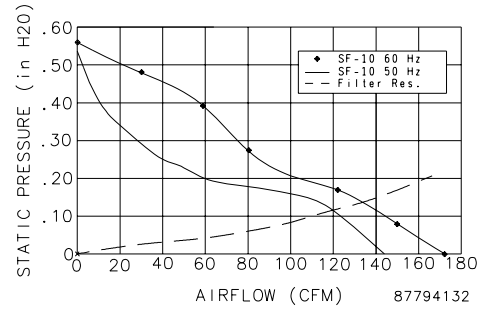
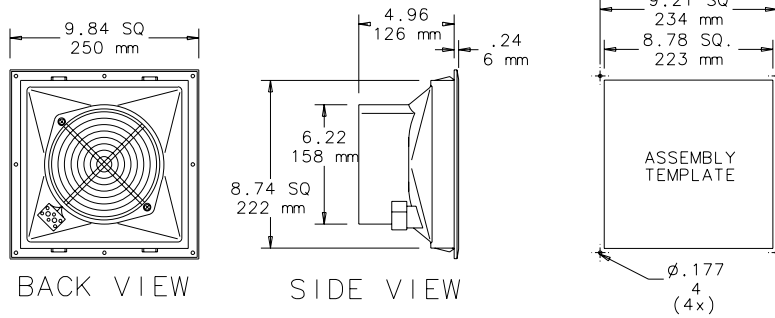


**Filter Fan Packages**

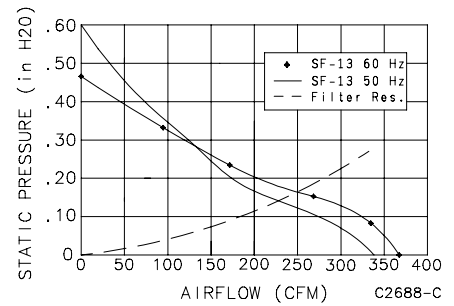
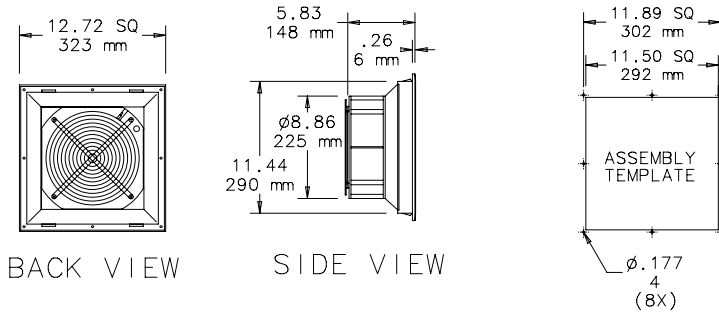
Series SF-09 Filter Fan Package



Series SF-10 Filter Fan Package



Series SF-13 Filter Fan Package



Replacement Fan Sealing Gasket and Filters

Catalog Number	Replacement Filter	To Fit Fan Packages and Exhaust Grille Kits
G050000	10100060	SF0516002, SF0526002, SG0500002
G090000	10100061	SF0916002, SF0926002, SG0900002
G100000	10100062	SF1016002, SF1026002, SG1000002
G130000	10100063	SF1316002, SF1326002, SG1300002

**Exhaust Grille Kits**

Purchase Exhaust Grille Kits separately.

Bulletin: MCLY

Catalog Number
SG0500002
SG0900002
SG1000002
SG1300002