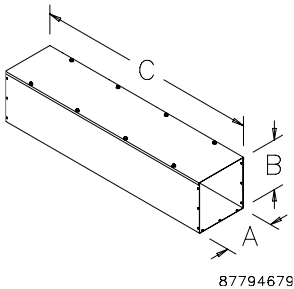


Standard Product Selection Matrix

| Description  | 2.50 x 2.50 in.<br>(64 x 64 mm) | 3.00 x 3.00 in.<br>(76 x 76 mm) | 4.00 x 4.00 in.<br>(102 x 102 mm) | 6.00 x 6.00 in.<br>(152 x 152 mm) | 8.00 x 8.00 in.<br>(203 x 203 mm) | 10.00 x 10.00 in.<br>(254 x 254 mm) | 12.00 x 12.00 in.<br>(305 x 305 mm) |
|--|---------------------------------|---------------------------------|-----------------------------------|-----------------------------------|-----------------------------------|-------------------------------------|-------------------------------------|
| 12.00-in. (305-mm) Straight Section with knockouts       | F22T112GVPWK                    | —                               | F44T112GVPWK                      | F66T112GVPWK                      | F88T112GVPWK                      | —                                   | F1212T112GVPWK                      |
| 12.00-in. (305-mm) Straight Section without knockouts    | F22T112GVP                      | —                               | F44T112GVP                        | F66T112GVP                        | F88T112GVP                        | F1010T112GVP                        | F1212T112GVP                        |
| 18.00-in. (455-mm) Straight Section without knockouts    | —                               | —                               | F44T118GVP                        | F66T118GVP                        | F88T118GVP                        | —                                   | —                                   |
| 24.00-in. (610-mm) Straight Section with knockouts       | F22T124GVPWK                    | —                               | F44T124GVPWK                      | F66T124GVPWK                      | F88T124GVPWK                      | —                                   | F1212T124GVPWK                      |
| 24.00-in. (610-mm) Straight Section without knockouts    | F22T124GVP                      | —                               | F44T124GVP                        | F66T124GVP                        | F88T124GVP                        | F1010T124GVP                        | F1212T124GVP                        |
| 36.00-in. (914-mm) Straight Section with knockouts       | F22T136GVPWK                    | —                               | F44T136GVPWK                      | F66T136GVPWK                      | F88T136GVPWK                      | —                                   | F1212T136GVPWK                      |
| 36.00-in. (914-mm) Straight Section without knockouts    | F22T136GVP                      | —                               | F44T136GVP                        | F66T136GVP                        | F88T136GVP                        | F1010T136GVP                        | F1212T136GVP                        |
| 48.00-in. (1219-mm) Straight Section with knockouts      | F22T148GVPWK                    | —                               | F44T148GVPWK                      | F66T148GVPWK                      | F88T148GVPWK                      | —                                   | F1212T148GVPWK                      |
| 48.00-in. (1219-mm) Straight Section without knockouts   | F22T148GVP                      | —                               | F44T148GVP                        | F66T148GVP                        | F88T148GVP                        | F1010T148GVP                        | F1212T148GVP                        |
| 60.00-in. (1524-mm) Straight Section with knockouts      | F22T160GVPWK                    | —                               | F44T160GVPWK                      | F66T160GVPWK                      | F88T160GVPWK                      | —                                   | F1212T160GVPWK                      |
| 60.00-in. (1524-mm) Straight Section without knockouts   | F22T160GVP                      | F33T160GVP                      | F44T160GVP                        | F66T160GVP                        | F88T160GVP                        | F1010T160GVP                        | F1212T160GVP                        |
| 72.00-in. (1829-mm) Straight Section with knockouts      | —                               | —                               | F44T172GVPWK                      | F66T172GVPWK                      | —                                 | —                                   | —                                   |
| 72.00-in. (1829-mm) Straight Section without knockouts   | —                               | —                               | F44T172GVP                        | F66T172GVP                        | F88T172GVP                        | F1010T172GVP                        | —                                   |
| 120.00-in. (3048-mm) Straight Section with knockouts     | F22T1120GVPWK                   | —                               | F44T1120GVPWK                     | F66T1120GVPWK                     | F88T1120GVP                       | —                                   | —                                   |
| 120.00-in. (3048-mm) Straight Section without knockouts  | F22T1120GVP                     | F33T1120GVP                     | F44T1120GVP                       | F66T1120GVP                       | F88T1120GVP                       | F1010T1120GVP                       | F1212T1120GVP                       |
| 90° Flush Tee  | F22GT                           | F33GT                           | F44GT                             | F66GT                             | F88GT                             | F1010GT                             | F1212GT                             |
| Sweep Tee  | F22T                            | —                               | F44T                              | F66T                              | F88T                              | F1010T                              | F1212T                              |
| Cross Fitting  | F22X                            | —                               | F44X                              | F66X                              | F88X                              | F1010X                              | F1212X                              |
| 90° Sweep Elbow  | F22G90SE                        | —                               | F44G90SE                          | F66G90SE                          | F88G90SE                          | F1010G90SE                          | F1212G90SE                          |
| 90° Elbow-Tee-Cross                                      | F22G90TX                        | F33G90TX                        | F44G90TX                          | F66G90TX                          | F88G90TX                          | F1010G90TX                          | F1212G90TX                          |
| 90° Elbow  | F22G90E                         | F33G90E                         | F44G90E                           | F66G90E                           | F88G90E                           | F1010G90E                           | F1212G90E                           |
| 90° Elbow Outside Opening                                | F2290EOUT                       | —                               | F4490EOUT                         | F6690EOUT                         | F8890EOUT                         | F101090EOUT                         | F121290EOUT                         |
| 90° Elbow Inside Opening                                 | F2290EIN                        | —                               | F4490EIN                          | F6690EIN                          | F8890EIN                          | F101090EIN                          | F121290EIN                          |
| 45° Elbow  | F22G45E                         | F33G45E                         | F44G45E                           | F66G45E                           | F88G45E                           | F1010G45E                           | F1212G45E                           |
| Telescope Fitting <sup>a</sup>                           | F22GA                           | —                               | F44GA                             | F66GA                             | F88GA                             | F1010GA                             | F1212GA                             |
| Open Adapter   | F22GOA                          | —                               | F44GOA                            | F66GOA                            | F88GOA                            | F1010GOA                            | F1212GOA                            |
| Panel Adapter  | F22GPA                          | F33GPA                          | F44GPA                            | F66GPA                            | F88GPA                            | F1010GPA                            | F1212GPA                            |
| Closure Plate with knockouts                             | F22GCP                          | —                               | F44GCP                            | F66GCP                            | F88GCP                            | F1010GCP                            | F1212GCP                            |
| Closure Plate without knockouts                          | F22GCPNK                        | F33GCPNK                        | F44GCPNK                          | F66GCPNK                          | F88GCPNK                          | F1010GCPNK                          | F1212GCPNK                          |
| Reducer  | —                               | F33G22R                         | F44G22R                           | F66G44R                           | F88G66R                           | F1010G88R                           | F1212G88R                           |
| Drop and Bracket Hanger                                  | F22GDB                          | —                               | F44GDB                            | F66GDB                            | F88GDB                            | F1010GDB                            | F1212GDB                            |
| Support Hanger   | F22GSH                          | —                               | F44GSH                            | F66GSH                            | F88GSH                            | F1010GSH                            | F1212GSH                            |
| Universal U-Connector                                    | F22GUC                          | F33GUC                          | F44GUC                            | F66GUC                            | F88GUC                            | F1010GUC                            | F1212GUC                            |
| Barrier Kit, bolt-on<br>Each barrier 60.00 in. (1524 mm) | —                               | F33BK60                         | F44BK60                           | F66BK60                           | F88BK60                           | —                                   | —                                   |

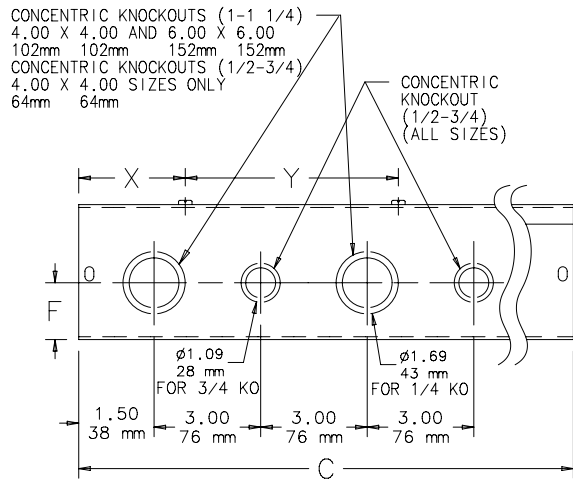
<sup>a</sup>Not UL/cUL listed.

STRAIGHT SECTION



Protects electrical wiring in applications where dust, dirt, oil and water are not serious problems. All sections and fittings are completely open on one side so wires and cables can be laid in along wireway run. No pulling through of wires or cables prevents damage to insulation that often occurs in a pull-through wiring system. Flat cover design allows for mounting flush with walls or ceilings. Keyhole screw slots on flat covers provide easy access.

BULLETIN: F40FC, F40G



PATTERN REPEATS EVERY 12.00 305 mm