



# CST150 Compact Field Tool

## REMOTE INSTALLATION/SERVICE TOOL

### Product Features

- Small, Lightweight Package
- 2.5 mm, Three-Conductor Service Plug on 36-inch (91.4 cm) Cable
- Use with Any Camera That Offers Composite Video Output Via BNC or 2.5 mm Service Connector
- Viewfinder, Eyepiece, and TFT Microdisplay Offers 800 x 225 Pixel Monitor Resolution
- NTSC/PAL Switch
- Operates with Three AA Batteries
- Detachable Lanyard



The **CST150** compact field tool enhances the installation of Pelco cameras and camera systems. It accesses video through a 2.5 mm service connector on Pelco's 3610, 3710, and 3770 Series cameras and our new IS Series Camclosure® integrated camera systems.

The **CST150** offers a viewfinder, eyepiece, and TFT microdisplay (800 x 225 pixel resolution). Plug it into the camera and adjust the focus on the viewfinder. If the camera does not have a service connector, use the supplied adapter cable to connect the **CST150** to the camera's video output connector. Then view the video on the microdisplay.

The **CST150** also includes a lanyard to secure the tool to your wrist. If dropped, the tool will not fall to the ground.



# TECHNICAL SPECIFICATIONS

## MODEL

CST150 Camera setup tool with 800 x 225 pixel TFT microdisplay

## SUPPLIED ACCESSORIES

Lanyard (attached) 1  
Adapter cable 1  
AA batteries 4 (1 spare)

## GENERAL

Service Plug 2.5 mm, three-conductor plug with 36-inch (91.4 cm) cable  
Viewable Area 800 x 225 pixels

## POWER

Power Consumption 650 mW  
Power Source Three AA batteries  
Battery Life 8 hours of continuous operation

## ENVIRONMENTAL

Operating Temperature 32° to 122°F (0° to 50°C)  
Storage Temperature -40° to 149°F (-40° to 65°C)  
Operating Humidity 20% to 80%, noncondensing  
Humidity Gradient 10% per hour

## PHYSICAL

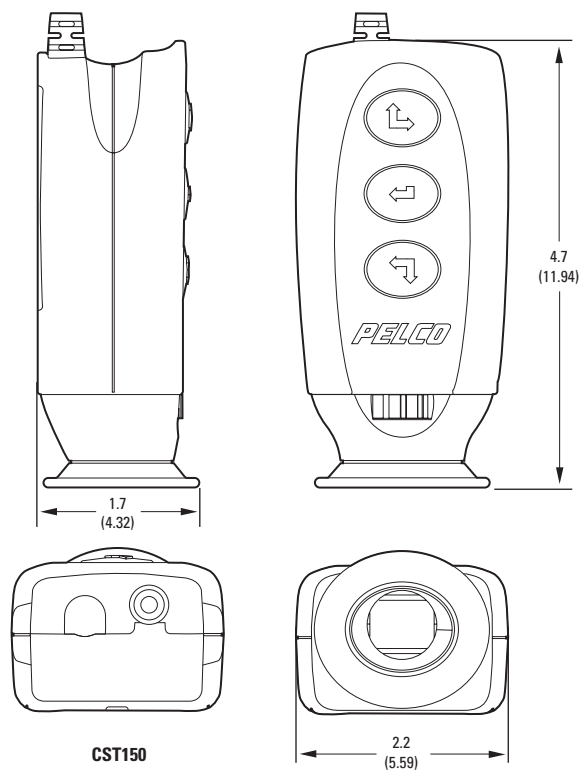
Unit Weight 0.5 lb (0.23 kg)  
Shipping Weight 1 lb (0.45 kg)

## CERTIFICATIONS/RATINGS

- CE, Class A
- FCC, Class A

## COMPATIBLE CAMERA SERIES

3610 Series  
3710 Series  
3770 Series  
IS Series Camclosures



NOTE: VALUES IN PARENTHESES ARE CENTIMETERS; ALL OTHERS ARE INCHES.



### Pelco Worldwide Headquarters:

3500 Pelco Way, Clovis, California 93612-5699 USA  
**USA & Canada** Tel: (800) 289-9100 • FAX (800) 289-9150  
**International** Tel: (559) 292-1981 • FAX (559) 348-1120  
[www.pelco.com](http://www.pelco.com)

Pelco, the Pelco logo, and Camclosure are registered trademarks of Pelco.  
Specifications subject to change without notice.  
©Copyright 2007, Pelco. All rights reserved.