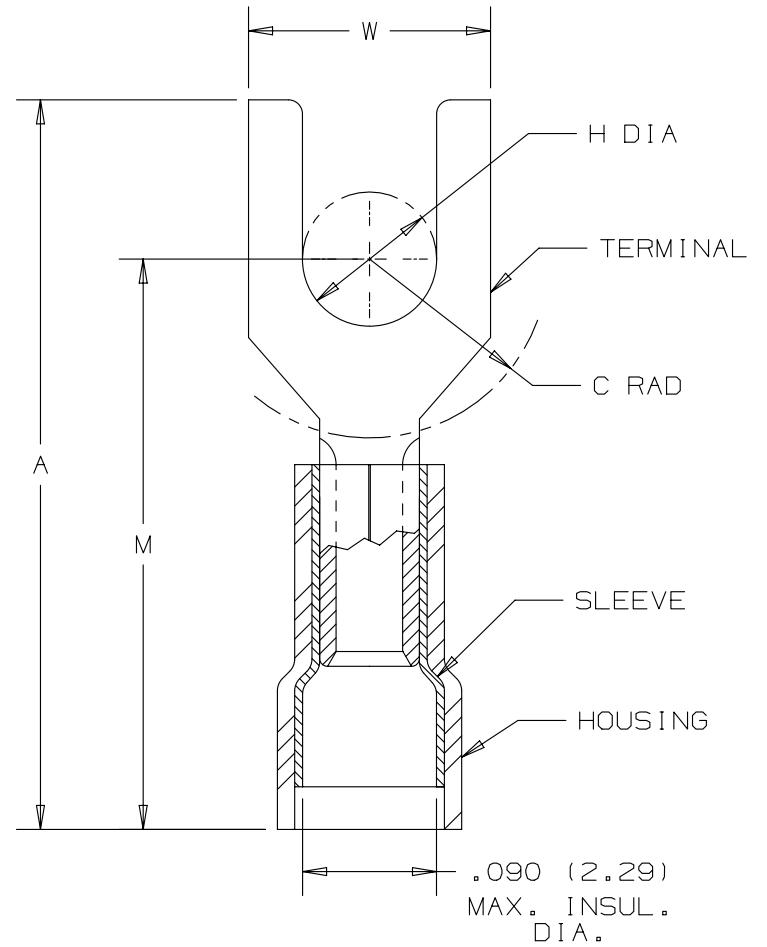


THIS COPY IS PROVIDED ON A RESTRICTED BASIS AND IS NOT TO BE USED IN ANY WAY DETRIMENTAL TO THE INTERESTS OF PANDUIT CORP.

PANDUIT PART NUMBER	STUD SIZE	DIMENSIONS in.				
		A ±.03	W ±.01	C ±.02	M ±.03	H ±.01
PN22-4F	#4	.67 (17.02)	.20 (5.08)	.21 (5.33)	.57 (14.49)	.12 (3.05)
PN22-6F	#6	.77 (19.56)	.25 (6.35)	.26 (6.60)	.63 (16.00)	.15 (3.81)



NOTES:

- USED FOR:
 - A. #26-22 AWG SOLID OR STRANDED COPPER WIRE
 - B. 221° [105°C] MAX. TEMP. RATING
 - C. 300V MAX. VOLTAGE RATING
- INSTALLATION TOOLS: CT-520
- WIRE STRIP LENGTH: 3/16 ^{+1/32} [4,8 ^{+0,8}]
- MATERIAL:
 - A. STAMPING: .02" [0,5] THK COPPER, TIN PLATED
 - B. HOUSING: NYLON, YELLOW
 - C. SLEEVE: BRASS, TIN PLATED
- SEE www.panduit.com FOR PACKAGE QUANTITIES INDICATED BY PART NUMBER SUFFIX
- DIMENSIONS IN BRACKETS ARE METRIC EQUIVALENT.

REV	DATE	BY	CHK	APR	DESCRIPTION	ECN
07	04-26-13	JBN	RTFI	RTFI	UPDATED DRAWING BORDER & TITLE BLOCK	A41235

TITLE FORK TERMINALS, NYLON INSULATED #26-22 CUSTOMER DRAWING			
ITEM REVISION NAME N41235BA/07		PANDUIT	
DATASET FILE NAME N41235BA_DC/07A			
UNLESS OTHERWISE SPECIFIED, DIMENSIONAL TOLERANCES ARE: IN [mm]			
.x ± .1 [2.54]		.xxx ± .005 [0.127]	
.xx ± .01 [0.25]		ANGLES ± 5°	
DRAWN BY DAW		DATE -	SCALE NONE
DRAWING NUMBER: A41235		SHT 1 OF 1	
MATERIAL: SEE NOTES		SIZE A	

D101000DA/15