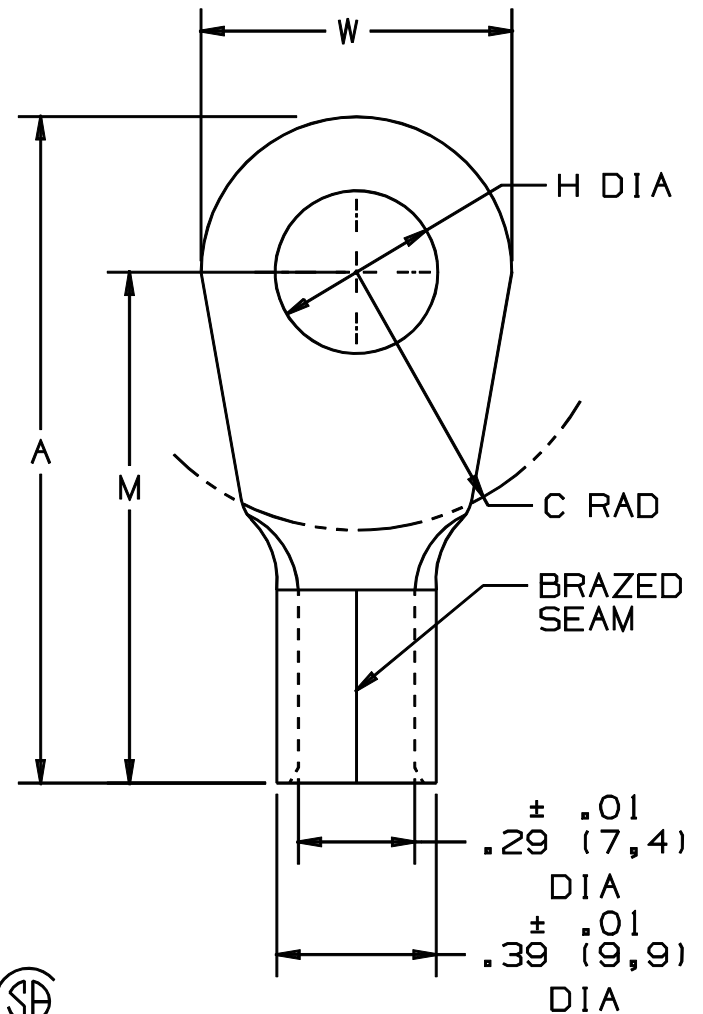


THIS COPY IS PROVIDED ON A RESTRICTED BASIS AND IS NOT TO BE USED IN ANY WAY DETRIMENTAL TO THE INTERESTS OF PANDUIT CORP.

PANDUIT PART NUMBER	PKG.	STUD SIZE	DIMENSIONS in.				
			A $\pm .03$	W $\pm .01$	C $\pm .02$	M $\pm .03$	H $\pm .01$
P4-10R	-E -T	#10	1.40 (35,6)	.55 (14,0)	.50 (12,7)	1.12 (28,5)	.20 (5,1)
P4-14R	-E -T	1/4"	1.40 (35,6)	.55 (14,0)	.50 (12,7)	1.12 (28,5)	.27 (6,9)
P4-56R	-E -T	5/16"	1.46 (37,1)	.68 (17,3)	.50 (12,7)	1.12 (28,5)	.33 (8,4)
P4-38R	-E -T	3/8"	1.46 (37,1)	.68 (17,3)	.50 (12,7)	1.12 (28,5)	.39 (9,9)
P4-12R	-E -T	1/2"	1.55 (39,4)	.86 (21,8)	.53 (13,5)	1.12 (28,5)	.52 (13,2)



NOTES:

- UL LISTED AND CSA CERTIFIED FOR:
 - 302° F (150° C) MAX OPERATING TEMP
 - #4 AWG STRANDED COPPER WIRE
- PACKAGE QTY: STD. PKG. -E=20
BULK PKG. -T=200
- MATERIAL: .050" (1,27) THK COPPER, TIN PLATED
- DIMENSIONS IN BRACKETS ARE IN MILLIMETERS
- INSTALLATION TOOL: CT-700 (OBSOLETE), CT-1701
- WIRE STRIP LENGTH: 1/2 $\pm 1/32$ (12,7 $\pm .8$)



LISTED
587H
E52164



CERTIFIED
LR31212

A41213_04

04	3/01	EJS		ADDED "OBSOLETE" TO NOTE 5. DECIMALS WERE TWO PLACES. ADDED PACKAGE CODE TO CHART				<p>TINLEY PARK, ILLINOIS</p> <p>#4 BARREL NON-INSULATED RING TONGUE</p>
03	1/01	ED	SKB	ADD CT-1701 TO INSTALLATION TOOLS	08947	JAC	CCH	
02	2-95	MS	RLS	UPDATED NOTES AND DIMENSIONS	03022	LA	KS	
01	7-88	DW		REDRAWN WITH REVISIONS				
REV	DATE	BY	CHK	DESCRIPTION	ECN #	CUST	PM	DRAWN BY DAW
								Ck'D SCALE NONE
								DRAWING NO. A41213