

**Specification Submittal Data / Panasonic Ventilation Fan**

**Description**

Ventilating fan shall be low noise ceiling mount type rated for continuous run. Fan shall be certified by the Home Ventilating Institute (HVI). Heating elements shall be included. Evaluated by Underwriters Laboratories and conform to both UL and cUL safety standards.

**Motor/Blower:**

- Four-pole totally enclosed condenser motor rated for continuous run.
- Power rating shall be 120 volts and 60 Hz.
- Motor equipped with thermal-cutoff fuse.
- Permanently lubricated plug-in motor.

**Housing:**

- Rust proof paint, galvanized steel body.
- 4" diameter duct adapter.
- Built-in backdraft damper.

**Grille:**

- Attractive design using ABS material.
- Attaches directly to housing with torsion springs.

**Heater:**

1300 Watt PTC (Positive Temperature Coefficient) Heater uses ceramic stones with self-limiting temperature characteristics which have fast heating response times and plateau once the pre-defined reference temperature

is reached. A thermostat and thermal cut-off switch have been added for safety in case of an abnormal temperature rise in the heater.

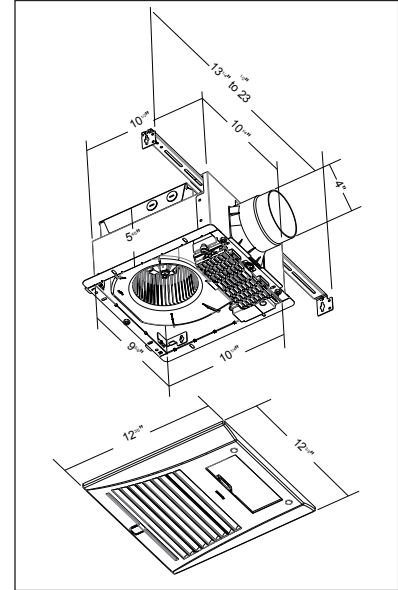
- 70 CFM super quiet, energy efficient blower motor.
- Quick 1-minute warm-up.

**Warranty:**

- 3-Year limited warranty on parts.

**Architectural Specifications:**

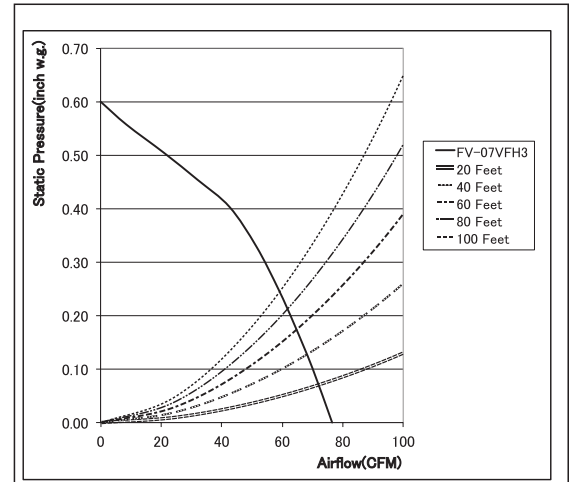
Ventilation fan and heat combination shall be ceiling mount, with no less than 70 CFM and no more than 1.5 sone as certified by the HVI at .1 static pressure in inches water gauge (w.g.) with no less than 59 CFM and no more than 2.2 sones at .25 w.g. Power Consumption shall be no greater than 26.2 Watts at .1 wg and 26.1 Watts at .25 w.g. With efficiency of no less than 2.7 CFM/Watt at .1 w.g. and 2.3 CFM/Watt at .25 w.g. The motor shall be totally enclosed, 4 pole condenser type engineered to run continuously. Power rating shall be 120v/60Hz. Duct diameter shall be no less than 4". 1300 Watt PTC (Positive Temperature Coefficient) Heater uses ceramic stones with self-limiting temperature characteristics which have fast heating response times and plateau once the pre-defined reference temperature is reached. A thermostat and thermal cut-off switch have been added for safety in case of an abnormal temperature rise in the heater. Heating feature



FV-07VFH3

shall include a 70CFM blower fan with energy efficient condenser type motor with quick 1-minute warm-up.

Specifications: <b>WhisperFit-Warm</b> FV-07VFH3		
Static Pressure in inches w.g.	0.1	0.25
Air Volume (CFM)	70	59
Noise (sones)	1.5	2.2
Power Consumption (watts)	26.2	26.1
Energy Efficiency (CFM/Watt)	2.7	2.3
Speed (RPM)	1135	1305
Current (amps)	0.17	
MAX. Current (amps)	0.22	
Power Rating (V/Hz)	120/60	
ENERGY STAR Qualified	No	



For complete Installation Instructions visit [www.panasonic.com/building](http://www.panasonic.com/building)

Model	Quantity	Comments	Project:
			Location:
			Architect:
			Engineer:
			Contractor:
			Submitted by:
			Date:

**Panasonic Home and Environment Company**  
Division of Panasonic Corporation of North America  
One Panasonic Way  
Secaucus, NJ 07094

[www.panasonic.com/building](http://www.panasonic.com/building)

