

Contractor Series LED PAR Lamps

11,000 Hour Life



Rated up to 11,000 hours at 70% lumen maintenance, the Contractor Series LED PAR lamp family offers years of service and reduced energy and maintenance costs. These lamps offer great value with energy savings up to 88% in comparison to traditional halogen lamps. The 82 CRI ensures good color definition and can be used in many applications. They are UL listed for use in damp locations and are RoHS compliant with no lead or mercury. They emit no UV or IR radiation that can cause fading and discoloration of fabric or artwork.

Key Features & Benefits

- Rated life up to 11,000 hours (L₇₀)
- Beam angle: 45°
- UV and IR Free
- Mercury and lead free
- RoHS compliant
- Available in 3000K and 5000K color temperatures
- Reduces energy consumption up to 88%
- Lasts 4 times longer than halogen lamps
- No warm-up time, instant on with full light output and stable color



Product Offering

| Ordering Abbreviation | Wattage | Beam Angle | Color Temperature | CRI |
|-----------------------|---------|------------|-------------------|-----|
| PAR20 LED | 6 | 45° | 3000K | 82 |
| PAR30LN LED | 9 | 45° | 3000K | 82 |
| PAR38 LED | 13 | 45° | 3000K & 5000K | 82 |

Application Information

Applications

- General lighting
- Recessed downlights
- Track lighting
- Wall washer

Market Segments

- Offices
- Residential
- Restaurants

Application Notes

1. Operating Temperature: - 4°F to 104°F (-20°C to +40°C)
2. Not for use with emergency light fixtures or exit lights
3. Not for use in totally enclosed luminaires
4. Suitable for use in UL rated fixture where protected from the weather
5. Not for use with dimmers

This device complies with part 15 of the FCC Rules. Operation is subject to the following two conditions: (1) This device may not cause harmful interference, and (2) this device must accept any interference received, including interference that may cause undesired operation. For FCC Part 15 user information, please see www.sylvania.com/fcc15b.



Specification Data

| | |
|-------------|------|
| Catalog # | Type |
| Project | |
| Comments | |
| Prepared by | |

Ordering Information

| Item Number | Ordering Abbreviation | Wattage (W) | Base Type | Replaces | Input Voltage (V) | Average Rated Life (hrs.) | CCT | Typical Lumens (lm) | CBCP | CRI | Beam Angle |
|-------------|-------------------------------|-------------|-----------|-------------|-------------------|---------------------------|-------|---------------------|------|-----|------------|
| 79276 | LED13PAR38/830/FL45/10YV/RP2 | 13 | Medium | 90W Halogen | 120 | 11000 | 3000K | 900 | 1250 | 82 | 45° |
| 79736 | LED13PAR38/850/FL45/10YV/RP2 | 13 | Medium | 90W Halogen | 120 | 11000 | 5000K | 1200 | 1250 | 82 | 45° |
| 79280 | LED9PAR30LN/830/FL45/10YV/RP2 | 9 | Medium | 65W Halogen | 120 | 11000 | 3000K | 650 | 900 | 82 | 45° |
| 79279 | LED6PAR20/830/FL45/10YV/RP2 | 6 | Medium | 50W Halogen | 120 | 11000 | 3000K | 425 | 525 | 82 | 45° |

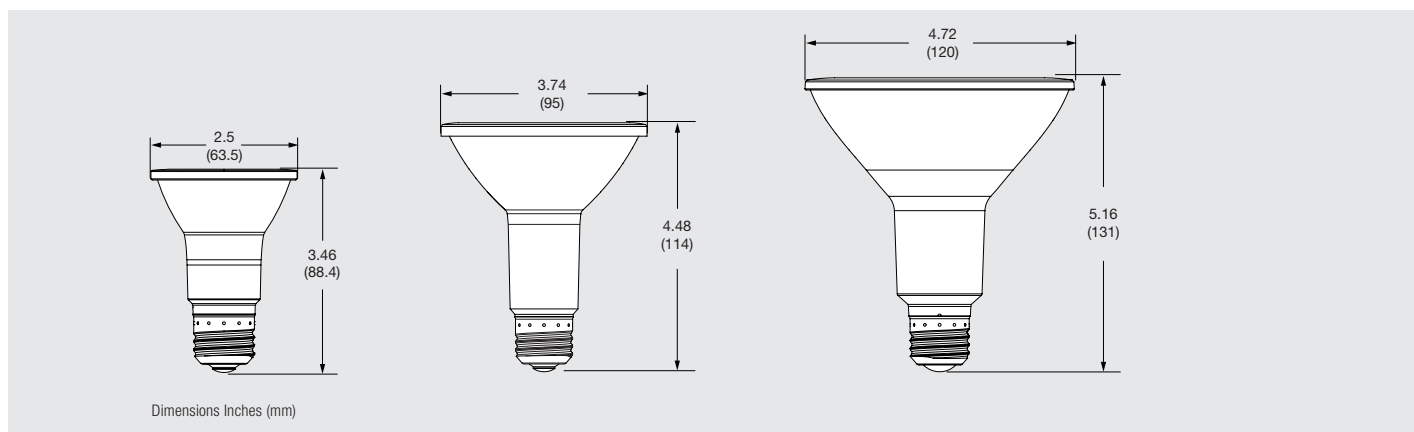
Ordering Guide

| LED | 13 | PAR38 | / | 830 | / | FL | 45 | / | 10YV | / | RP2 |
|-----------|----------------------|---|---|---|---|-------|---------------|---|-------------------|---|---------------|
| LED Lamps | Wattage: 13, 9, 6 | Lamp type: PAR38 PAR30LN PAR20 | | CRI = 80 Color Temp. 3000K 5000K | | Flood | Beam Angle | | 11,000 Hours Life | | Retail 2 Pack |

Energy Savings

| Product Description | LED Life (hrs.) | Similar Halogen | Watts Saved | Energy Savings | LED Life vs. Incandescent |
|---------------------|-----------------|-----------------|-------------|----------------|---------------------------|
| LED6W PAR20 | 11,000 | 50W | 44 | \$53 | 4.4X |
| LED9W PAR30LN | 11,000 | 65W | 56 | \$67 | 4.4X |
| LED13W PAR38 | 11,000 | 90W | 77 | \$93 | 4.4X |

Lamp Dimensions



LEDVANCE LLC
 200 Ballardvale Street
 Wilmington, MA 01887 USA
 Phone 1-800-LIGHTBULB (1-800-544-4828)
www.sylvania.com

SYLVANIA and LEDVANCE are registered trademarks.
 All other trademarks are those of their respective owners.
 Product Licensee of Trademark SYLVANIA in General Lighting.
 Specifications subject to change without notice.

[/sylvania](https://twitter.com/sylvania) [/sylvania](https://facebook.com/sylvania)

