

Contractor Series LED MR16 Lamps

Non-Dimmable



Key Features & Benefits

- 11,000 hours rated life (L₇₀)
- Reduces energy consumption up to 75%
- Lasts more than 5.5 times longer than halogen lamps
- No warm-up time, instant-on with full-light output and stable color
- 12V AC/DC input voltage
- UV and IR free
- Mercury and lead free
- RoHS compliant
- Suitable for indoor use



Intertek
4001425

LED technology reduces energy and maintenance costs when compared to conventional light sources. They are free of UV and IR radiation minimizing discoloration and fading of materials. These lamps are rated at up to 11,000 hours life with a correlated color temperature (CCT) of 3000K. They are available with a GU5.3 base and 35° beam angle.

Product Offering

Ordering Abbreviation	Wattage	Color Temperature	Beam Angle
LED MR16	5	3000K	35°

Application Information

Applications

- Accent/display lighting
- Recessed downlighting
- Track lighting

Market Segments

- Art galleries and museums
- Commercial and office space
- Hotels
- Residential
- Restaurants
- Retail sector

Application Notes

1. Suitable for use in dry locations only.
2. Operating temperature range between: -20°C and +40°C (-4°F and +104°F).
3. Do not use with dimmers.
4. Not for use in totally enclosed luminaires.
5. This device is not intended for use with emergency exits.

This device complies with part 15 of the FCC Rules. Operation is subject to the following two conditions: (1) This device may not cause harmful interference, and (2) this device must accept any interference received, including interference that may cause undesired operation. For FCC Part 15 user information, please see www.sylvania.com/fcc15b.



Specification Data

Catalog #	Type
Project	
Comments	
Prepared by	

Ordering Information

Item Number	Ordering Abbreviation	Wattage (W)	Base Type	Replaces	Input Voltage (V)	Average Rated Life (hrs.) ¹	CCT ³	Typical Lumens (lm) ²	CBCP (cd)	CRI ⁴	Beam Angle	ENERGY STAR [®]
79129	LED5MR16830FL3510YVBL	5	GU5.3	35W MR16	12	11,000	3000K	350	670	82	35°	No

- Hours lifetime with 70% (L₇₀) lumen maintenance
- Thermally stable typical lumens (±10%)
- Thermally stable typical CCT (±10%)
- CRI – Color Rendering Index

Ordering Guide

LED	5	MR16	830	FL	35
LED Lamps and Retrofits	Wattage 5	Lamp Type: MR16	CRI, CCT: 830: 80+ CRI, 3000K CCT	Beam Type: FL = Flood	Beam Angle: 35°

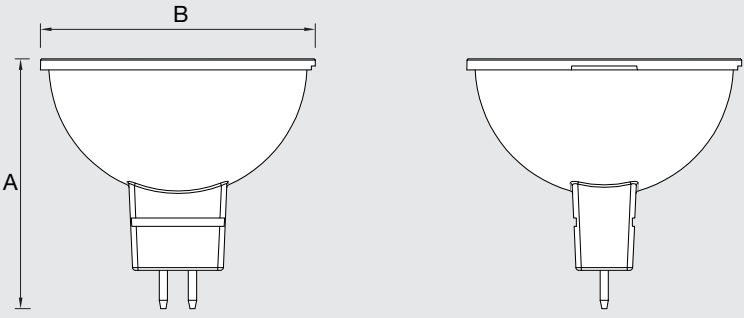
Energy Savings

Basic Product Description	LED Life (hrs.)	Similar Halogen	Halogen Life (hrs.)	Watts Saved	Energy Savings*	LED Life vs. Halogen Life
LED5MR16	11,000	35W MR16	2,000	30	\$36	5.5

*Energy savings over life of lamp calculated at \$0.11/kWh

Lamp Dimensions

	(A) MOL inches (mm)	(B) Diameter inches (mm)
LED5MR16	1.8 (45)	1.9 (50)



LEDVANCE LLC
 200 Ballardvale Street
 Wilmington, MA 01887 USA
 Phone 1-800-LIGHTBULB (1-800-544-4828)
 www.sylvania.com

SYLVANIA and LEDVANCE are registered trademarks.
 All other trademarks are those of their respective owners.
 Product Licensee of Trademark SYLVANIA in General Lighting.
 Specifications subject to change without notice.

[/sylvania](#) [/sylvania](#)

