

MERCURY LAMPS



Key Features & Benefits

- Long life
- Low initial costs
- Clear and coated lamp types
- Moderate color rendering
- Good efficiency
- Universal operating positions

MERCURY VAPOR lamps are designed primarily for use in general lighting applications where good efficiency and long life are desired with moderate color rendering requirements.

Available in a wide range of lamp types from 75-1000 watts, in both clear and coated configurations, Mercury vapor lamps are ideal for a variety of lighting applications. PAR lamps offer floodlighting and ultra-violet spectra for special lighting applications.

Product Offering

Wattage	Bulb Shape	Lamp Finish
75	E17	Coated
100	E17, ET23.5	Coated
100	PAR38	—
175	ED28	Clear, Coated
250	ED28	Coated
400	ED37	Clear, Coated
1000	BT56	Coated

System Comparison

69449 versus 64490 and 67533

Lamp Type	Description	Average Rated Life (hrs.)	Initial Lumens	Mean Lumens	CRI
Mercury Vapor	H33CD-400	24,000	20,000	18,700	22
Metalarc	M400/U	20,000	36,000	23,500	65
Lumalux	LU400/ECO	24,000	50,000	45,000	22

Application Information

Applications

- Commercial applications
- Industrial areas
- Outdoor facades
- Parking lots
- Security lighting
- Street and area lighting

Fixtures

Contact your local fixture agent for available fixtures.

Application Notes

1. Lamps can be operated in open and enclosed fixtures.
2. All lamps can be operated universally.

Ballast Information

Lamps are approved for use on systems meeting the respective ANSI standard.



Specification Data

Catalog #	Type
Project	
Comments	
Prepared by	

Ordering Information

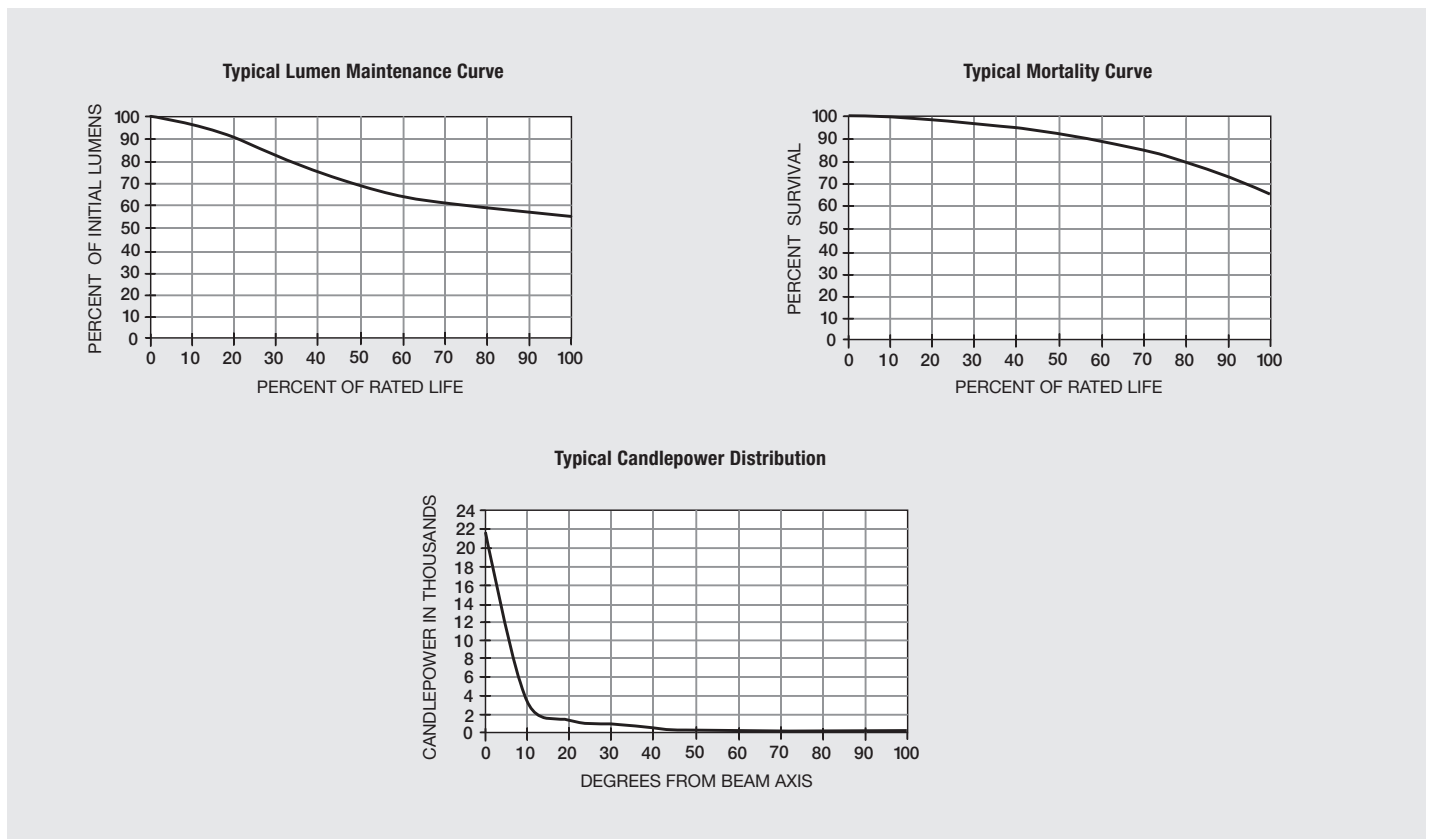
Item Number	Ordering Abbreviation	Watts	Bulb	Base	ANSI Code	Average Rated Life (hrs.) ¹	Initial Lumens	Mean Lumens	CCT	CRI	Beam Angle	Lamp Efficacy (LPW)
69402	H43AV-75/DX	75	E17	Medium	H43	16,000	2700	1800	4300K	45		36
69403	H38AV-100/DX	100	E17	Medium	H38	18,000	4000	3560	4000K	45		40
69408	H38JA-100/DX	100	ET23.5	Mogul	H38	24,000	4100	3300	4000K	45		40
68846	H44JM-100/MDSK	100	PAR38	Med. Skirt	H44	16,000	2500	1950	5900K	20	8°	25
69444	H39KB-175	175	ED28	Mogul	H39	24,000	7700	7150	5900K	22		44
69445	H39KC-175/DX	175	ED28	Mogul	H39	24,000	8400	6800	4000K	45		48
69448	H37KC-250/DX	250	ED28	Mogul	H37	24,000	12,500	10,000	4000K	45		50
69449	H33CD-400	400	ED37	Mogul	H33	24,000	20,000	18,700	5900K	22		50
69450	H33GL-400/DX	400	ED37	Mogul	H33	24,000	23,000	16,200	4000K	43		55
69331	H36GW-1000/DX	1000	BT56	Mogul	H36	24,000	58,000		4000K	45		56

1. Rated life shows mean lumens measured at 50% of rated life.

Ordering Guide

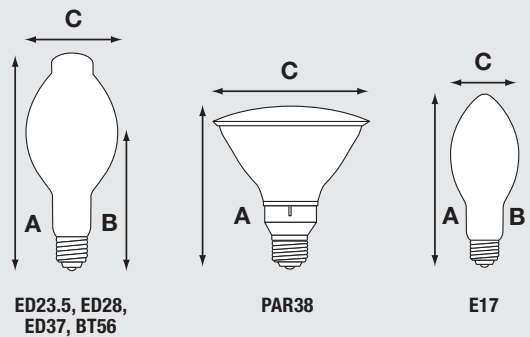
H Mercury Vapor	38AV Ballast Designation	100 Wattage: 75, 100, 175, 250, 400 and 1000 watts	/	Finish __ = Clear DX = Coated
---------------------------	------------------------------------	--	---	--

Technical Information



Dimensions

Ordering Abbreviation	(A) MOL	(B) LCL	(C) Bulb Diameter
E17	5.44"	3.75"	2.13"
ET23.5	7.5"	5.0"	2.93"
ED28	8.31"	5.0"	3.5"
ED37	11.5"	7.0"	4.63"
BT56	15.38"	9.5"	7.0"
PAR38	5.44"	n/a	4.75"



Sample Specification

Lamp(s) shall be (a) Mercury Vapor lamp(s) and shall be operated in any position.

Safety Information

WARNING: This lamp can cause serious skin burn and eye inflammation from shortwave ultraviolet radiation if the outer envelope of the lamp is broken or punctured. Do not use where people will remain for more than a few minutes unless adequate shielding or other safety precautions are used. Lamps that will automatically extinguish when the outer envelope is broken or punctured are commercially available.

LEDVANCE LLC
 200 Ballardvale Street
 Wilmington, MA 01887 USA
 Phone 1-800-LIGHTBULB (1-800-544-4828)
www.sylvania.com

SYLVANIA and LEDVANCE are registered trademarks.
 All other trademarks are those of their respective owners.
 Product Licensee of Trademark SYLVANIA in General Lighting.
 Specifications subject to change without notice.

[/sylvania](https://twitter.com/sylvania) [/sylvania](https://facebook.com/sylvania)

