

# AR70 and AR111

## Low Voltage Halogen Lamps



- Unparalleled beam performance
- Aluminum reflectors
- 3000-hour average rated life
- UV-stop capsule
- Tightly controlled beam with sharp cut-off
- Suitable for use without shielding\*

\*SYLVANIA does not require lamp containment shielding. Consult most recent UL standards for luminaire requirements.

**SYLVANIA AR lamps are outstanding low voltage halogen light sources that produce an unparalleled beam of controlled light. The high precision aluminum reflectors contain a low-pressure halogen light source made with UV-stop quartz. The result of this capsule construction is that the lamps do not require shielding.\***

The combination of an axial filament capsule, a computer designed reflector and a cap to eliminate capsule glare creates a lamp with exceptional performance: High center beam candle power values; a smooth, even beam; and a clear, sharp cutoff.

### Product Availability

Product	Beam Angle
<b>AR70</b> (20Watt & 50Watt)	Spot 8°, Flood 25°
<b>AR111</b>	Super Spot 4°
35Watt – 6Volt	Super Spot 4°, Spot 8°, Flood 25°
35Watt	Super Spot 4°, Spot 8°, Flood 25°
50Watt	Spot 8°, Flood 25°, Wide Flood 45°
75Watt	Spot 8°, Flood 25°, Wide Flood 45°
100Watt	Spot 8°, Flood 25°, Wide Flood 45°

### Application Information

Applications	AR111	AR70
Atriums	<ul style="list-style-type: none"> <li>• Exceptional beam control</li> <li>• Fully dimmable</li> <li>• Socket: G53 (push in or screw terminal)</li> <li>• Long distance throws (up to 50,000 CBCP)</li> <li>• Interchangeable with PAR36 in shielded fixtures</li> <li>• For use in downlight, track and accent fixtures</li> </ul>	<ul style="list-style-type: none"> <li>• Exceptional beam control</li> <li>• Fully dimmable</li> <li>• Socket; BA15D</li> <li>• Smooth, non scattered beam pattern</li> <li>• Small profile</li> <li>• Long distance throws</li> <li>• For use in downlight, track and accent fixtures</li> </ul>
Retail		
Artwork and sculpture		
High-end residential/commercial		

### Fixture Availability

#### AR111

Belfer	Kramer	LSI
Capri	Kirlin	Lumiere
CSL	Kurt Versen	Rojey
Flos	Lightolier	Staff
		Translite

#### AR70

Belfer	Kurt Versen	Staff
Capri	Lightolier	Translite
Cooper	LSI	
Edison Price	Omega	
Kirlin	Rojey	



**Sample Specification**

AR70/AR111

Lamp(s) shall be (a) 12V \_\_\_\_ halogen lamp(s) (AR70,AR111) with a UV-stop capsule, an aluminum reflector and a glare guard (70 or 111-mm diameter). Lamp(s) shall be \_\_\_\_ watts (20, 35, 50, 75 or 100) with a \_\_\_\_ beam spread (4°, 8°, 25° or 45°) or as noted on drawings/schedules. Lamp(s) shall have a \_\_\_\_ Base (BA15D double contact bayonet or G53 push or screw terminal base) and a 3000-hour average rated life.

**Lamp Comparison**

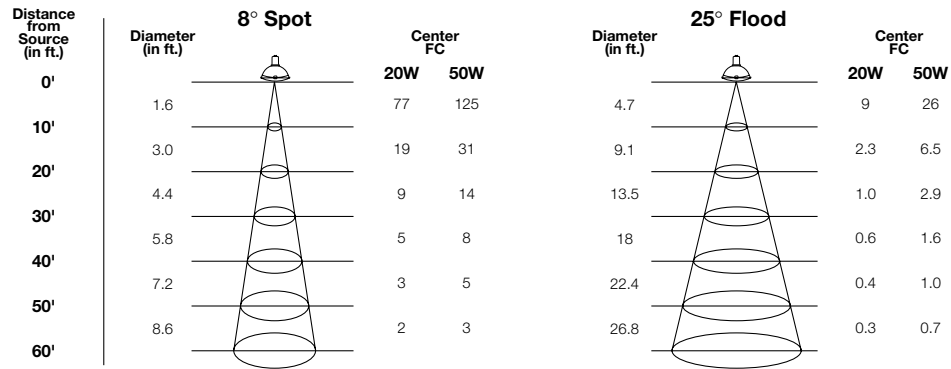
Item Number	Ordering Abbreviation	Watts	Beam Angle	Average Rated Life (hours)	CBCP (cd)
59017	50AR70/SP8	50	8°	3000	15,000
	Brand X 50ALR18/SP10	50	10°	2000	12,000
	Brand X 50PAR20/HAL//SP10	50	10°	2500	6000
55104	50AR111/SP8	50	8°	3000	23,000
	Brand X 50PAR36/H//NSP8	50	8°	4000	30,000
55129	100AR11/SP8	100	8°	3000	48,000
	Brand X 100PAR/H/SP10	100	10°	2000	17,000

**Footcandle**

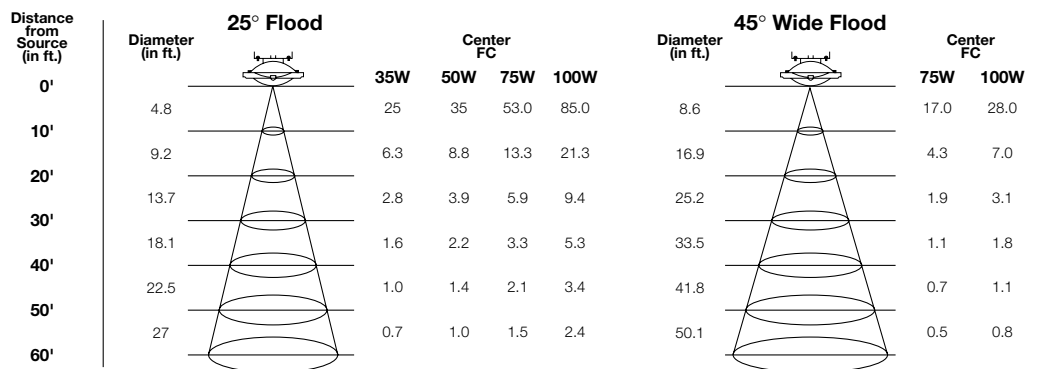
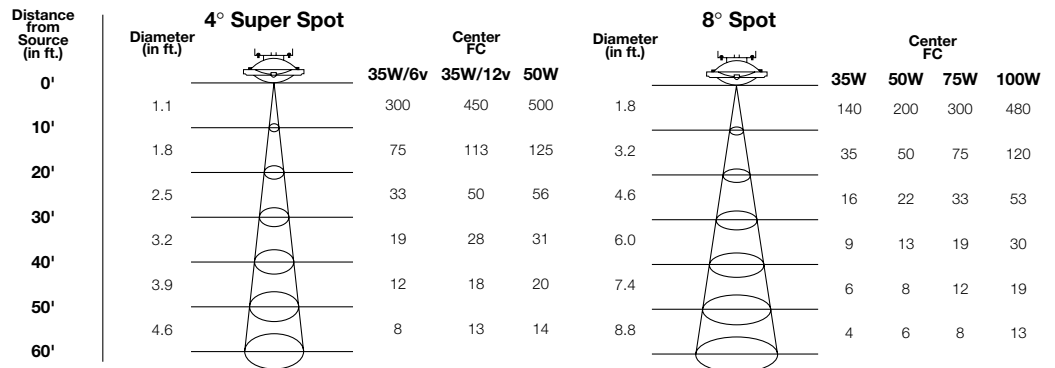
AR70 & AR111 lamps are available in a wide range of beam angles to meet the demand of virtually any display or accent lighting application. For each AR lamp, this table shows how lamp output – in footcandles – varies as a function of distance.

Distance and diameter are measured in feet. Candle power distribution curves are available in IES format at mysylvania.com.

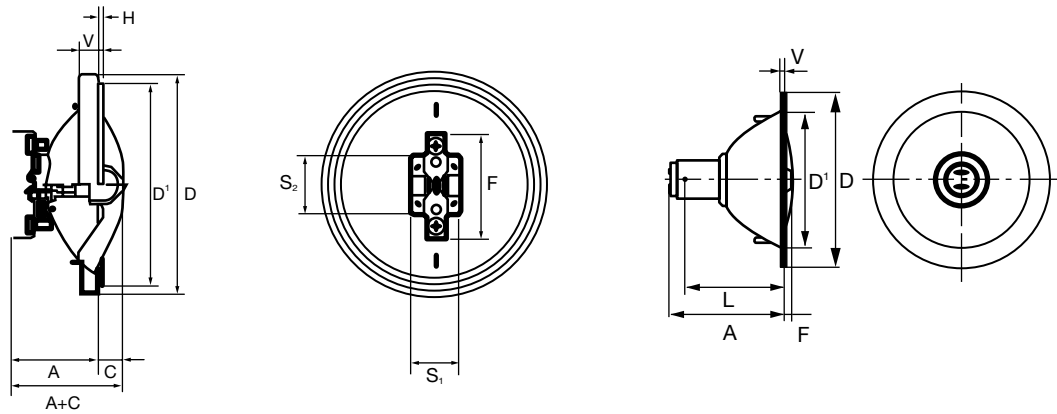
**AR70**



**AR111**



## Dimensions



	AR111	mm	inch	AR70	mm	inch
Overall length	A + C	60	2.36	A + F	48.5	1.91
Projection of grip cap	C	15±0.5	0.59+0.02	F	3.0 max.	0.12 max.
Length w/o grip cap	A	45±0.4	1.77+0.02	A	45.5 +1	1.79 +0.04
				L	41.0 max.	1.61
Reflector diameter	D	111-0.2	4.37-0.01	D	70.0 ± 0.2	2.75± 0.08
	D <sub>1</sub>	102.5 ±0.3	4.04+0.01	D <sub>1</sub>	59.76	23.53
Thickness of refl. edge	V	9.5+0.5	0.37+0.02	V	1.2	0.05
	H	2.5-0.7	0.98-0.03			
Dim. of ceramic holder	S <sub>1</sub> xS <sub>2</sub>	25 x 32	9.84 x 1.26			
Distance of contact strips	F	53.2 ± 1	2.09+0.04			

## Ordering and Specification Information

Item Number	Ordering Abbreviation	Watts	Volts	Base	Average Rated Life (hrs.)	CBCP (cd)	Beam Angle
59013	20AR70/SP8	20	12	BA15D	3000	7700	8°
59012	20AR70/FL25	20	12	BA15D	3000	900	25°
59017	50AR70/SP8	50	12	BA15D	3000	12,500	8°
59016	50AR70/FL25	50	12	BA15D	3000	2600	25°
55101	35AR111/SSP4/6V	35	6	G53	3000	30,000	4°
55102	35AR111/SSP4	35	12	G53	3000	45,000	4°
55110	35AR111/SP8	35	12	G53	3000	14,000	8°
55114	35AR111/FL25	35	12	G53	3000	2500	25°
55105	50AR111/SSP4	50	12	G53	3000	50,000	4°
55104	50AR111/SP8	50	12	G53	3000	20,000	8°
55103	50AR111/FL25	50	12	G53	3000	3500	25°
55125	75AR111/SP8	75	12	G53	3000	30,000	8°
55123	75AR111/FL25	75	12	G53	3000	5300	25°
55124	75AR111/WFL45	75	12	G53	3000	1700	45°
55129	100AR111/SP8	100	12	G53	3000	48,000	8°
55127	100AR111/FL25	100	12	G53	3000	8500	25°
55128	100AR111/WFL45	100	12	G53	3000	2800	45°

## Ordering Guide

20	AR	70	/	SP	10
Wattage	Aluminum Reflector	Diameter		Beam Spread	Beam Angle
20, 35, 50		70 = 70mm		SSP = Super Spot	4° 8°
75, 100		111 = 111mm		SP = Spot	25° 45°
				FL = Flood	
				WFL = Wide Flood	

OSRAM SYLVANIA  
National Customer  
Support Center  
18725 N. Union Street  
Westfield, IN 46074

**Industrial & Commercial**

Phone: 1-800-255-5042  
Fax: 1-800-255-5043

**National Accounts**

Phone: 1-800-562-4671  
Fax: 1-800-562-4674

**Special Markets**

Phone: 1-800-762-7191  
Fax: 1-800-762-7192

In Canada  
OSRAM SYLVANIA LTD.  
Headquarters  
2001 Drew Road  
Mississauga, ON L5S 1S4

**Industrial & Commercial**

Phone: 1-800-263-2852  
Fax: 1-800-667-6772

**Special Markets**

Phone: 1-800-265-2852  
Fax: 1-800-667-6772

Visit our website: [www.sylvania.com](http://www.sylvania.com)

