

[previous product](#)

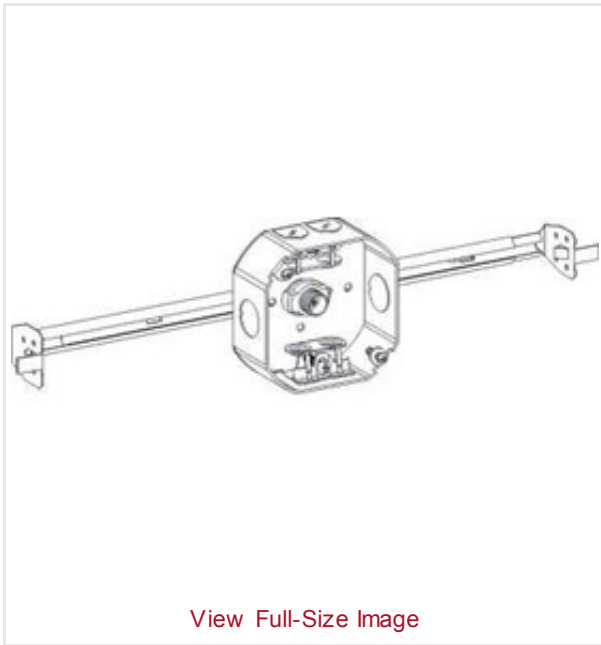
[next product](#)

# 4RB-MC-BHA

4" OCT. STEEL MC BOX 1-1/2" ON ADJ. BRKT

[Print this page](#)


[Email to a Friend](#)



[View Full-Size Image](#)

## Description

**Product:** 4RB-MC-BHA

<b>Category</b>	SWITCH BOX
<b>Page</b>	A4
<b>Barcode</b>	8-35243-01032-1  1
<b>Dimensions:</b>	
<b>Width</b>	4"
<b>Height</b>	4"
<b>Depth</b>	1 - 1/2"
<b>Cu In</b>	15.5
<b>Specifications:</b>	
<b>Material</b>	16 GA Sheet Steel
<b>Welded Drawn</b>	Welded

<b>Color</b>	Galvanized
<b>Box Specifications:</b>	
<b>Clamp Type</b>	BX/MC
<b>Bracket</b>	BHA, 14-1/2" to 22 -1/2"
<b>Knockouts</b>	2 - 1/2", 4 - Loom
<b>Packaging Info:</b>	
<b>Std Pkg</b>	25
<b>Weight</b>	25
<b>Documents:</b>	

**In Stock?**

In Stock

**Discontinued?**

No

---

Last Updated: Monday, 12 May 2014 17:04