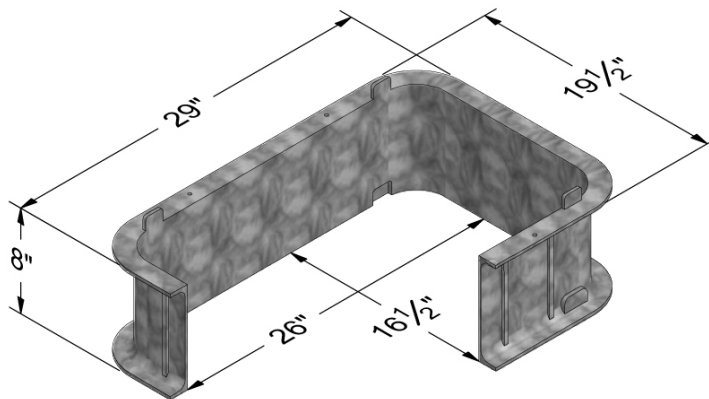
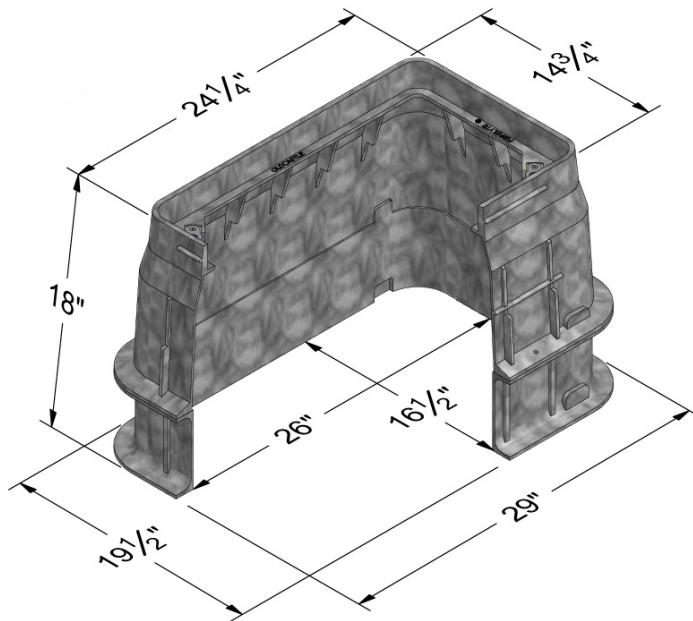
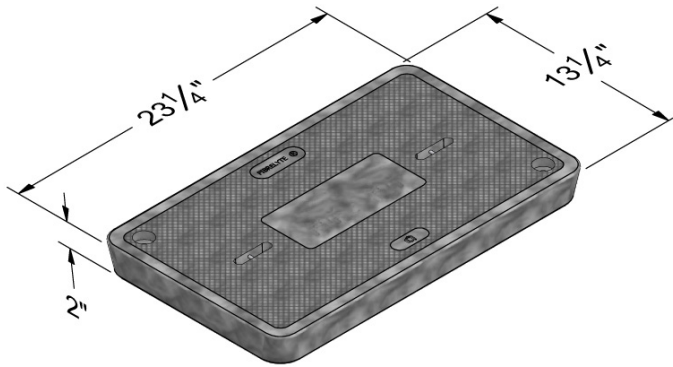


# FL30



**COVER:**

Style: Flush Solid  
 Material: Composite  
 Model: 13" x 24"  
 Weight: 20 lbs  
 Std. Fasteners: 3/8-16 Stainless Steel Hex Head Bolt, Washer and Floating Nut  
 Options: Logos and Special Markings  
 Surface: Slip Resistant & Marked\*  
 Coefficient of Friction: >0.6 ASTM 1028  
 Performance: ANSI/SCTE-77 Tier 8, WUC 3.6, ASTM C857 A-8

**BODY:**

Material: Composite  
 Model: 13" x 24"  
 Weight: 12" Depth: 26 lbs  
 18" Depth: 35 lbs  
 20" Depth: 36 lbs  
 Wall Type: Flared  
 Performance: ANSI/SCTE-77 Tier 8, WUC 3.6, ASTM C857 A-8

**EXTENSION:**

Material: Composite  
 Size: 6", 8" Depth  
 Performance: ANSI/SCTE-77 Tier 8, WUC 3.6, ASTM C857 A-8



**Medium Duty:**  
Non-deliberate Traffic

For use in non-vehicular traffic situations only.

Actual load rating is determined by the box and cover combination. Weights and dimensions may vary slightly

\* Cover comes standard with permanent markings for manufacturer, load rating, model size and manufacturing location.

Contact your Oldcastle Enclosure Solutions Distribution Center for specific information and additional options.

# FL30

**Options:**

**Available Composite Covers:**

Flush Solid (Standard)

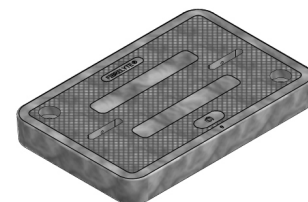
**Fastener Options for Composite Covers:**

- Penta Head Bolt
- Oldcastle Enclosures Vandal Proof Bolt
- Penta Coil Thread Bolt
- Captive Bolt Retainer

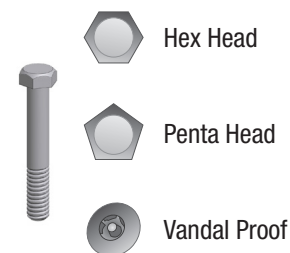
**Add on Options:**

- EMS Marker (E)
- Mouseholes/Knockouts
- Rack Mount (A)
- Cable Racks/Cable Arms (B)
- Unistrut (C)
- Pulling Eye - 1,000 lb and 3,000 lb (D)
- Ground Buss (F)
- Dividers
- Racking Provision
- Lid Gaskets\*

\*Lid Gaskets inhibit water flow into the box, they do not make Enclosure fully waterproof.



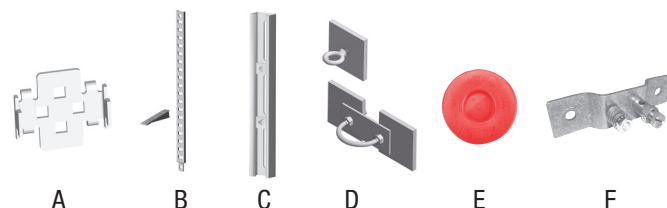
Composite Cover



Hex Head

Penta Head

Vandal Proof



**Raw Material Specifications:**

Standard Test Method	Properties of Raw Material	ASTM Designation	Typical Value
Compressive Strength of Polymer Concretes	Compressive Strength	C 579	> 11,000 psi
Flexural Properties of Plastic Materials	Flexural Strength	D 790	> 3,000 psi
Resistance of Plastics to Chemical Reagents	Chemical Resistance	D 543	Retain > 75% of original strength
Impact Resistance by Means of a Falling Weight	Impact Resistance	D 2444	> 70 ft-lb
Static Coefficient of Friction	Friction Coefficient	C 1028	> 0.6

ASTM Specifications shall be the current revision  
Test Reports available on request

The Rural Utility Service (RUS) is a department of the US Department of Agriculture organized to facilitate rural developments. You will find Oldcastle Enclosure Solutions brand enclosures listed by the RUS. All Oldcastle Enclosure Solutions brand enclosures conform to the RUS "Tamper Resistant" fastener design for buried pedestals.

**Product Load Rating:**



**Medium Duty : Non-deliberate Traffic**

For use in non-vehicular traffic situations only.

**Note:**

Actual load rating is determined by the box and cover combination. Weights and dimensions may vary slightly

All information contained on this sheet is current at the time of printing.

Oldcastle Precast, Inc. reserves the right to discontinue or update product information without notice.

