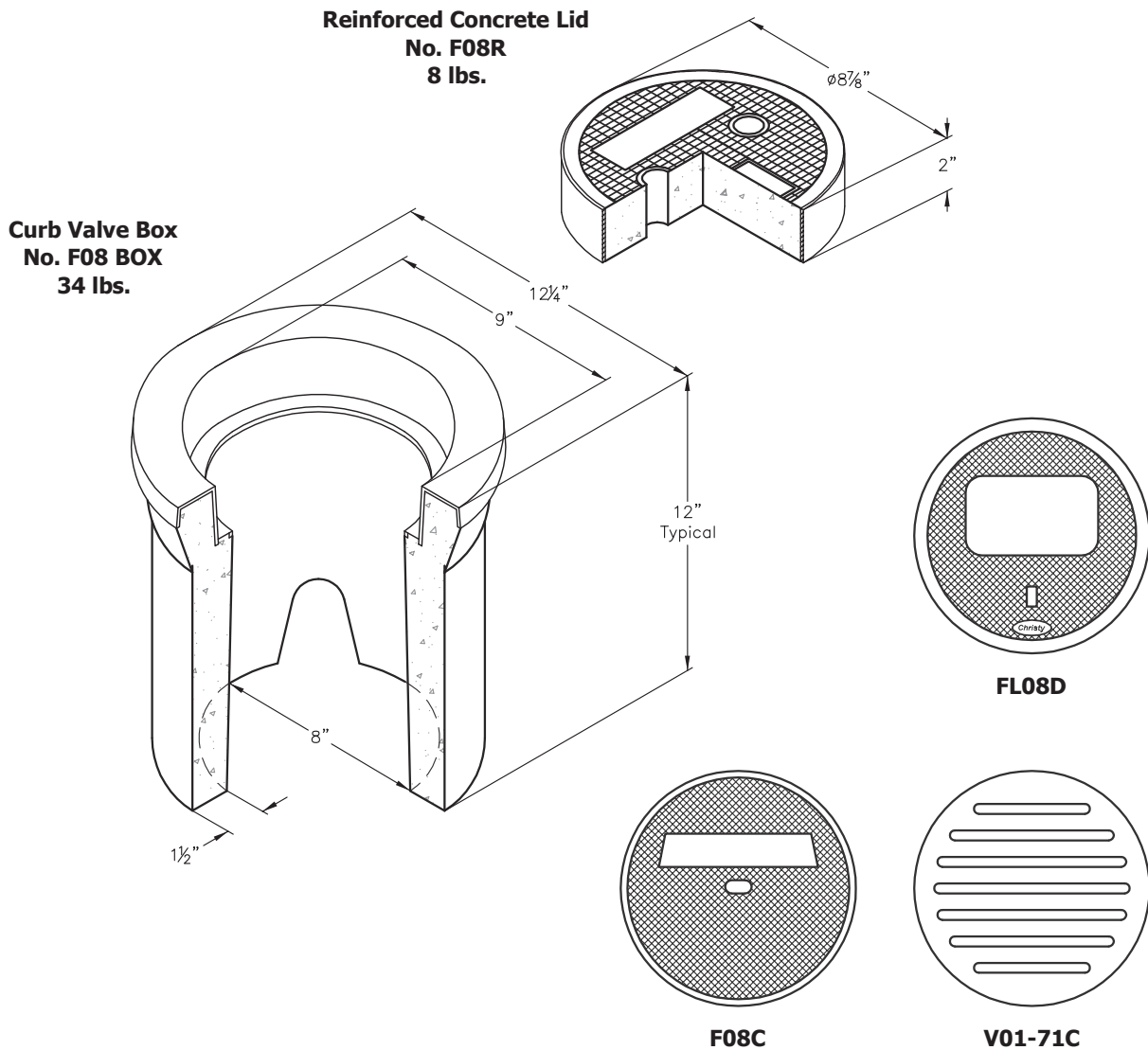


- Etched polypropylene face
- Face anchored in concrete
- Ultra-violet inhibitor
- Exceeds ASTM-D1693 Standards for Environmental Stress Cracking Resistance



A high density reinforced concrete box with non-settling shoulders positioned to maintain grade and facilitate back filling. Approximate dimensions and weight shown.

Oldcastle Ordering Code	Item	Approx. Shipping Weight	Description
F08BOX	BOX	34 lbs.	F08 Curb Valve Box (8" I.D. x 12" High) - 48 per pallet
F08R	LID	8 lbs.	Reinforced Concrete Lid with Plastic Ring
F08C	LID	8 lbs.	Cast Iron Lid
FLO8D	LID	2 lbs.	Fibrelyte Lid, Non-Concrete
V01-71C	LID	12 lbs.	Cast Iron Grate ADA Compliant



Oldcastle Precast®
Enclosure Solutions

Phone: (800) 486-7070 Fax: (800) 486-6804
Copyright © 2011 Oldcastle Precast Inc.

F08 BOX

FILE NAME: F08_ISO

ISSUE DATE: January, 2011

www.oldcastleprecast.com

F08 CURB VALVE BOX
8" I.D. x 12"

