

DLR4

4" Recessed LED Downlight

Project _____

Date _____

Type _____

Product Description

The DLR4 from NICOR is a 4" recessed LED downlight that is ideal for both retrofit and new construction alike. Redesigned to boost energy efficiency, the LED light engine draws only 10 watts while improving light output to over 600 lumens. The enriched 90+ CRI provides superior color quality, along with an R9 greater than 50. Not only is the light quality better, but this design improvement meets new industry standards like Tilt 24 and CEC.

Construction

- Spun aluminum trim routes heat away from electrical components
- Low profile, integrated driver, allows for use in shallow housings

Optical System

- Polystyrene diffuser and reflector cone create a uniform light distribution that reduces glare without sacrificing lumen output

Electrical

- Utilizes high performing LEDs with greater than 90 CRI and an R9 greater than 50 (not available on 5000K)
- Dimmable to 10% with most standard triac dimmers
- Operating temperature rating of 0°F to 120°F (-18°C to 49°C)
- Input voltage of 120V
- Lifetime rated for greater than 53,000 hours
- LM-79, LM-80 testing performed in accordance with IESNA standards

Finish

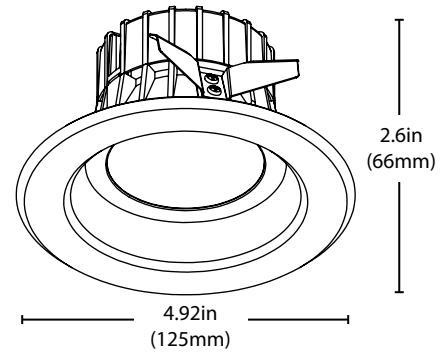
- Exterior white powder coat finish, with interior high reflective finish

Installation

- Compatible with most 4" recessed housings
- Quick and easy installation with a screw-in Edison base (GU24 socket string available) and friction clip system

Warranty

- 5-year limited system warranty standard



PRODUCT INFORMATION

LED Lifetime:	53,000 Hours
Input Voltage:	120V
Power Draw:	10W
Fixture Height:	2.6in (66mm)
Trim Width:	4.92in (125mm)



Ordering Information

Example: DLR4-3006-120-3K-WH

Series	Version	Voltage	CCT's	Trim Color
DLR4	3006 (v 3.0)	120 (V)	2K (2700)	WH (white)
			3K (3000)	WH-BF (white baffle)**
			4K (4000)	BK (black)*
			5K (5000)	NK (nickel)*
				OB (oil-rubbed bronze)*

*Standard option in 3K, only available as special order for 2K, 4K and 5K. Contact NICOR for more info. **Only available in 2K and 3K

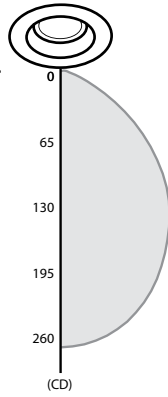
Photometric Data

DLR4 2700K

Luminaire	2700K
Input Voltage (VAC)	120
System Level Power (W)	10
Delivered Lumens (Lm)	612
System Efficacy (Lm/W)	61.2
Correlated Color Temp (K)	2867
Color Rendering Index (CRI)	91

Zonal Lumen Summary

Zone	Lumens	% of Luminaire
0-30	188	31%
0-40	308	50%
0-60	509	83%
0-90	612	100%
90-180	0	0%
0-180	612	100%

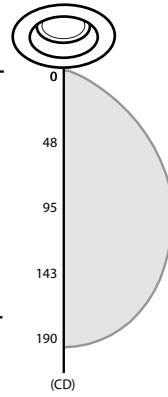


DLR4 3000K

Luminaire	3000K
Input Voltage (VAC)	120
System Level Power (W)	10
Delivered Lumens (Lm)	618
System Efficacy (Lm/W)	61.8
Correlated Color Temp (K)	3067
Color Rendering Index (CRI)	91

Zonal Lumen Summary

Zone	Lumens	% of Luminaire
0-30	190	31%
0-40	311	50%
0-60	514	83%
0-90	618	100%
90-180	0	0%
0-180	618	100%

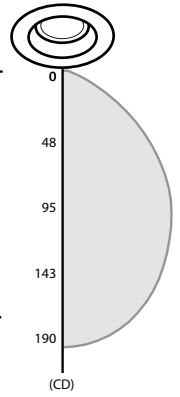


DLR4 4000K

Luminaire	4000K
Input Voltage (VAC)	120
System Level Power (W)	10
Delivered Lumens (Lm)	618
System Efficacy (Lm/W)	61.8
Correlated Color Temp (K)	4050
Color Rendering Index (CRI)	91

Zonal Lumen Summary

Zone	Lumens	% of Luminaire
0-30	190	31%
0-40	311	50%
0-60	514	83%
0-90	618	100%
90-180	0	0%
0-180	618	100%



DLR4 5000K

Luminaire	5000K
Input Voltage (VAC)	120
System Level Power (W)	10
Delivered Lumens (Lm)	674
System Efficacy (Lm/W)	67.4
Correlated Color Temp (K)	5015
Color Rendering Index (CRI)	91

Zonal Lumen Summary

Zone	Lumens	% of Luminaire
0-30	207	31%
0-40	340	50%
0-60	561	83%
0-90	674	100%
90-180	0	0%
0-180	674	100%

