

POLARIS GREY™ INSULATED CONNECTORS
For Fine Stranded Wire
& Replacement Sleeves
ITG, ITOG, IPLG, SITG SERIES



FEATURES

- Safe: Insulated with high dielectric strength plastisol for tough mechanical protection.
- Factory applied insulation provides consistent quality and protection.
- Abrasion and chemical resistant.
- Fast: Eliminates the need for cover and taping – supplied with removable access plugs over the hex screws to protect against contamination.
- Easy: Three sizes cover 14 to 3/0 AWG.
- Reusable: ideal for cabletrays, troughs, wire-ways, raceways, ducts and motor junction boxes.
- For Copper Wire Only

RATINGS



UL Listed 486A Wire Connector.

TEMPERATURE RATING/VOLTAGE:

CU9. Cold temperature rated to -45 °C, rated 600V, 90 °C.

WIRE TYPE:

Can be used with virtually any kind of copper conductor, but is specifically designed for use with fine-stranded, flexible and extra-flexible copper conductors. This includes DLO cable and motor lead wire – excellent for use in motor connect/disconnect applications.

ASSEMBLY INSTRUCTIONS:

See page 213 for detailed information for assembly, mounting and installation.

All dimensional data is listed in inches.

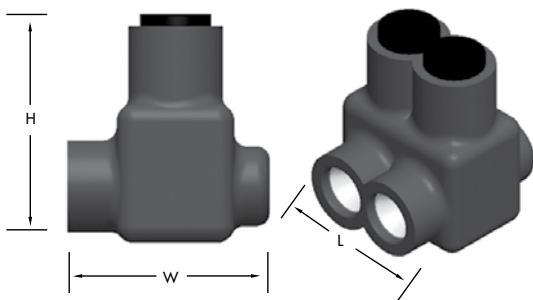
CAT. NO.	NO. OF PORTS
ITG-6	2
ITOG-6	2
IPLG6-3	3
IPLG6-4	4
IPLG6-6	6
ITG-1	2
ITOG-1	2
IPLG1-3	3
IPLG1-4	4
IPLG1-6	6
ITG-3/0	2
ITOG-3/0	2
IPLG3/0-3	3
IPLG3/0-4	4
IPLG3/0-6	6

For display bags with a mounting hole for hanging, add the suffix “-B” to the part number when ordering.

POLARIS GREY™ REPLACEMENT SLEEVES	
CAT. NO.	STD. CTN. QTY.
SITG-6	10
SITG-1	10
SITG-3/0	10



WIRE RANGE (BY CLASSIFICATION)		LENGTH (L)	WIDTH (W)	HEIGHT (H)	TORQUE VALUE (IN./LBS.)	HEX SIZE	STD. CTN. QTY.
CLASS B, C, D	CLASS K, M, I						
6-14 AWG	6-14 AWG	1.130	1.240	1.370	45	1/8	12
6-14 AWG	6-14 AWG	1.130	1.270	1.370	45	1/8	12
6-14 AWG	6-14 AWG	1.550	1.240	1.370	45	1/8	12
6-14 AWG	6-14 AWG	1.980	1.240	1.370	45	1/8	6
6-14 AWG	6-14 AWG	2.820	1.240	1.370	45	1/8	6
1-10 AWG	2-10 AWG	1.600	1.550	1.750	150	3/16	6
1-10 AWG	2-10 AWG	1.600	1.630	1.750	150	3/16	6
1-10 AWG	2-10 AWG	1.550	1.240	1.370	150	3/16	6
1-10 AWG	2-10 AWG	1.980	1.240	1.370	150	3/16	6
1-10 AWG	2-10 AWG	2.820	1.240	1.370	150	3/16	6
3/0-4 AWG	2/0-2 AWG	1.850	1.600	1.810	250	3/16	6
3/0-4 AWG	2/0-2 AWG	1.850	1.630	1.810	250	3/16	6
3/0-4 AWG	2/0-2 AWG	2.250	1.600	1.750	250	3/16	6
3/0-4 AWG	2/0-2 AWG	2.900	1.600	1.750	250	3/16	6
3/0-4 AWG	2/0-2 AWG	4.200	1.600	1.750	250	3/16	4



Protect those fine-stranded wires with Polaris Grey™.

Here's our secret: Polaris Grey™ comes with an integral sleeve which protects the fine strands and helps the conductor maintain its shape during the tightening process. The sleeve eliminates breakage of the strands and reduces stress on the conductor and therefore the potential for hot-spots. Replacement sleeves can be purchased separately.

Specially designed for connecting and terminating fine-stranded, flexible copper conductors. Polaris Grey™ combines the reliability and safety of a compression connection with the ease, affordability and flexibility of a mechanical connection.

Motor replacement is now really easy. Simply strip the cable, insert it into Polaris Grey™, tighten the hex head screw, replace the cap.