

Series HC Industrial Control Transformers

Suffix -4100 & -4400

Features



Series -4100, and -4400: Factory Pre-Connected Primary & Secondary Fusing

- All copper windings.
- Core mounted, barrier type terminal strips.
- Series/parallel jumper clips provided on -4100.
- Dual primary fuse holder and single secondary fuse holder are factory assembled for added convenience.
- Regulation characteristics equal or exceed the

highest industry standards.

- Grain oriented, silicon steel cores minimize core losses.
- Transformers .050 kVA to .150 kVA employ a UL Class 180°C insulation system with 55°C temperature rise at a maximum ambient of 40°C.
- Transformers .250 kVA and above are designed with a UL Class 180°C insulation system with 115°C temperature rise at a maximum ambient of 40°C.
- Nonstandard designs are available by consulting the factory or your Dongan® Representative.

Voltage Combinations:

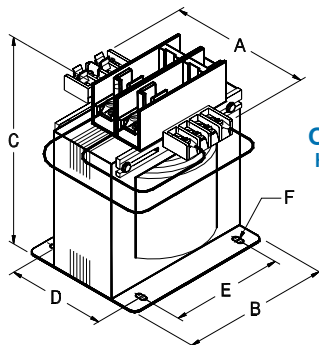
Suffix	Primary	Secondary
-4100	240 x 480	120
-4400	208 / 240 / 480	120

Suffix -4100

With Pre-connected Dual Primary Fuse Blocks & Secondary Fuse Holder

Primary Volts 240 X 480, 230 X 460, 220 X 440,
Secondary Volts 120/115/110

General Information				Dimensions (inches)						Primary		Secondary		
kVA Cap.	Catalog Number	Hz.	Wgt. Lbs	A	B	C	Mounting			Pri. Max. Amps 240V / 480V	Pri. Fuse Kit	Sec. Max. Amps	Sec. Fuse Kit	Sec. Fuse Size
							D	E	F					
.050	HC-0050-4100	50/60	3.0	4.75	3.00	4.25	2.00	2.50	.203 x .375	.21 / .10	Installed	.42	Installed	.5
.075	HC-0075-4100	50/60	4.0	5.25	3.00	4.25	2.50	2.50	.203 x .375	.31 / .16	Installed	.63	Installed	.6
.100	HC-0100-4100	50/60	5.0	5.62	3.00	4.25	2.87	2.50	.203 x .375	.42 / .21	Installed	.83	Installed	1
.150	HC-0150-4100	50/60	7.0	5.25	3.75	4.75	2.62	3.13	.203 x .375	.63 / .31	Installed	1.25	Installed	1.25
.250	HC-0250-4100	50/60	8.5	5.62	3.75	4.75	2.87	3.13	.203 x .375	1.04 / .52	Installed	2.08	Installed	2.25
.300	HC-0300-4100	50/60	9.5	6.00	3.75	4.75	2.87	3.13	.203 x .375	1.25 / .63	Installed	2.08	Installed	2.25
.375	HC-0375-4100	50/60	10.0	5.30	4.50	5.30	2.80	3.80	.203 x .375	1.56 / .78	Installed	3.13	Installed	3.2
.500	HC-0500-4100	50/60	11.5	6.00	4.50	5.25	3.25	3.75	.203 x .375	2.08 / 1.04	Installed	4.17	Installed	4.5
.750	HC-0750-4100	50/60	15.5	6.87	4.50	5.25	4.12	3.75	.203 x .375	3.12 / 1.56	Installed	6.25	Installed	6.25
1.0	HC-1000-4100	60	19.0	6.50	5.25	5.87	3.87	4.37	.281 x .562	4.16 / 2.08	Installed	8.33	Installed	9
1.5	HC-1500-4100	60	27.0	7.87	5.25	5.87	5.12	4.37	.281 x .562	6.25 / 3.12	Installed	12.50	Installed	15
2.0	HC-2000-4100	60	31.5	9.12	5.25	5.87	6.43	4.37	.281 x .562	8.33 / 4.16	Installed	16.67	Installed	20



Outline Drawing
HC Suffix -4100, -4400

Connection Diagrams may be found on
Pg. 80