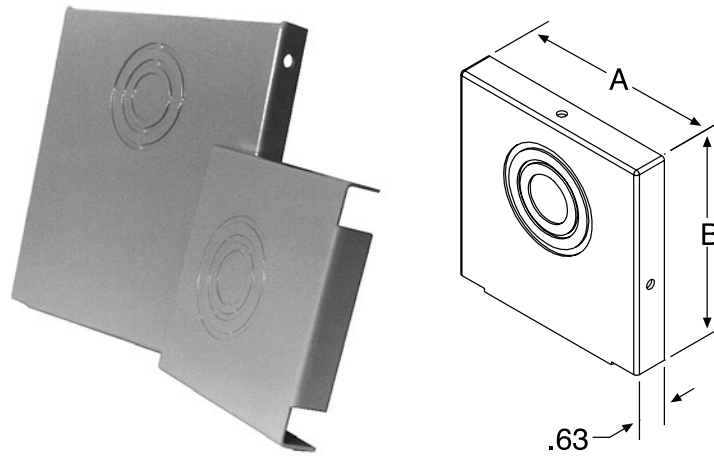


Wireway Fittings

For use with GSC1 and GHC1 wireway



GE | Ends*

Closes the end of a wireway section or run. All knockouts are concentric 1/2", 3/4", 1", 1 1/4", 1 1/2".

Catalog Number	Product Family	UPC # (7-84572)	Weight (lbs)	Std. Pkg.	Size
22GE	GFIT	26413	0.3	20	2.5 x 2.5
22GE-NK	GFIT	26414	0.3	20	2.5 x 2.5
22GE-NK-NP	GFIT	26415	0.3	20	2.5 x 2.5
22GE-NP	GFIT	26416	0.3	20	2.5 x 2.5
22GEU	GFIT	26426	0.3	20	2.5 x 2.5
22GFE	GFIT	26429	0.3	10	2.5 x 2.5
22GFE-NK	GFIT	26430	0.3	10	2.5 x 2.5
44GE	GFIT	10676	0.4	20	4 x 4
44GE-NK	GFIT	10677	0.4	20	4 x 4
44GE-NK-NP	GFIT	15538	0.4	20	4 x 4
44GE-NP	GFIT	20889	0.4	20	4 x 4
44GEU	GFIT	10678	0.4	20	4 x 4
44GEU-NK-NP	GFIT	21085	0.4	20	4 x 4
44GFE	GFIT	10680	0.4	10	4 x 4
44GFE-NK	GFIT	18771	0.4	10	4 x 4
66GE	GFIT	10839	0.8	20	6 x 6
66GE-NK	GFIT	10840	0.8	20	6 x 6
66GE-NK-NP	GFIT	15537	0.8	20	6 x 6
66GE-NP	GFIT	17355	0.8	20	6 x 6
66GEU	GFIT	10841	0.8	20	6 x 6
66GEU-NK	GFIT	24628	0.8	20	6 x 6
66GEU-NK-NP	GFIT	21084	0.8	20	6 x 6

Catalog Number	Product Family	UPC # (7-84572)	Weight (lbs)	Std. Pkg.	Size
66GFE	GFIT	10843	0.8	10	6 x 6
88GE	GFIT	10978	1.4	20	8 x 8
88GE-NK	GFIT	10979	1.4	20	8 x 8
88GE-NK-NP	GFIT	15535	1.4	20	8 x 8
88GE-NP	GFIT	20890	1.4	20	8 x 8
88GEU	GFIT	10980	1.4	20	8 x 8
88GEU-NK-NP	GFIT	21086	1.4	20	8 x 8
88GFE	GFIT	10982	2	10	8 x 8
88GFE-NK	GFIT	17686	2	10	8 x 8
1010GE	GFIT	10048	2.6	20	10 x 10
1010GE-NK	GFIT	10049	2.6	20	10 x 10
1010GE-NK-NP	GFIT	15536	2.6	20	10 x 10
1010GEU	GFIT	10050	2.6	20	10 x 10
1010GEU-NK	GFIT	31179	2.6	20	10 x 10
1010GEU-NK-NP	GFIT	21087	2.6	20	10 x 10
1212GE	GFIT	10161	2.8	20	12 x 12
1212GE-NK	GFIT	10162	2.8	20	12 x 12
1212GE-NK-NP	GFIT	15534	2.8	20	12 x 12
1212GE-NP	GFIT	20891	2.8	20	12 x 12
1212GEU	GFIT	10163	2.8	20	12 x 12
1212GEU-NK	GFIT	32358	2.8	20	12 x 12
1212GEU-NK-NP	GFIT	21088	2.8	20	12 x 12

Utility requirements for this equipment may vary. Always consult the serving utility for their requirements before ordering or installing equipment.

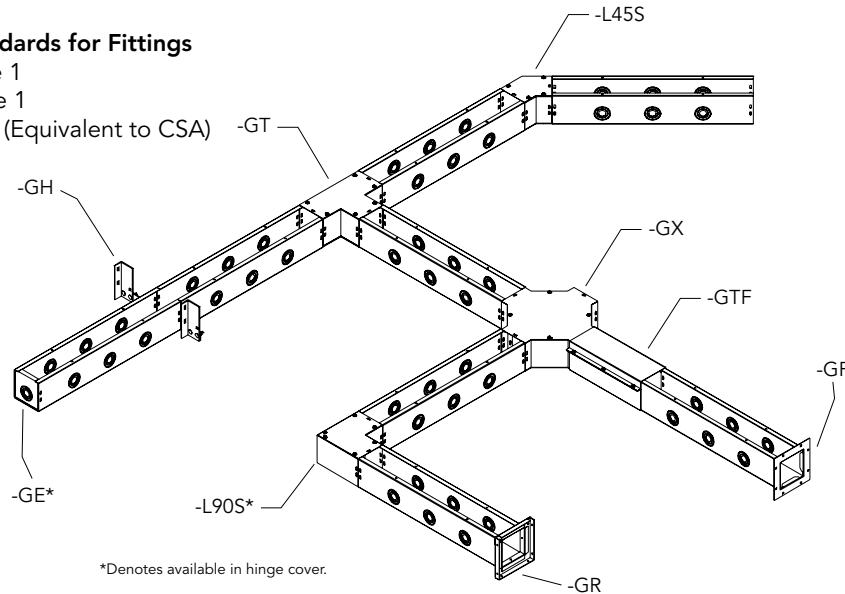


Wireway Fittings

For use with GSC1 and GHC1 wireway

Industry Standards for Fittings

- NEMA Type 1
- UL 870 Type 1
- CUL Type 1 (Equivalent to CSA)



*Denotes available in hinge cover.

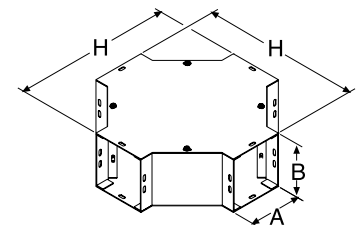
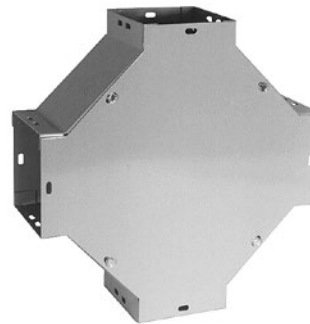
Dimensions for product drawings on pages 70–75

A x B Inches (mm)	E	F	G	H	J	K	N	P	V	U
3.00 x 3.00 (76 x 76)	5.06 (129)	5.06 (129)	6.06 (154)	11.25 (286)	2.58 (66)	3.20 (81)	11.00 (279)	4.63 (118)	9.00 (229)	4.62 (117)
4.00 x 4.00 (102 x 102)	6.06 (154)	6.06 (154)	7.06 (179)	12.25 (311)	2.80 (71)	3.63 (92)	13.25 (337)	13.25 (337)	10.00 (254)	5.13 (130)
4.00 x 6.00 (102 x 152)	6.06 (154)	8.06 (205)	8.00 (203)	—	—	—	—	—	12.00 (305)	5.06 (129)
6.00 x 6.00 (152 x 152)	8.06 (205)	8.06 (205)	10.00 (254)	14.25 (362)	3.21 (82)	4.45 (113)	17.75 (451)	7.63 (194)	14.00 (356)	7.06 (179)
8.00 x 8.00 (203 x 203)	10.06 (306)	10.06 (306)	12.00 (305)	16.25 (413)	3.62 (92)	5.28 (134)	22.25 (565)	9.63 (245)	16.00 (406)	8.06 (205)
10.00 x 10.00 (254 x 254)	12.06 (306)	12.06 (306)	14.00 (356)	18.25 (464)	4.04 (103)	6.11 (155)	25.63 (651)	11.63 (295)	18.00 (457)	9.06 (230)
12.00 x 12.00 (305 x 305)	14.06 (357)	14.06 (357)	16.00 (406)	20.25 (514)	4.42 (112)	6.91 (176)	30.13 (765)	13.63 (346)	20.00 (508)	10.06 (256)

GX | Crosses*

The cross fitting is for connecting 4 merging wireway runs from 2 different directions.

Catalog Number	Product Family	UPC # (7-84572)	Weight (lbs)	Std. Pkg.	Size
22GX	GFIT	26469	4.3	1	2.5 x 2.5
22GX-NP	GFIT	26470	4.3	1	2.5 x 2.5
44GX	GFIT	10688	6.3	1	4 x 4
66GX	GFIT	10851	8.3	1	6 x 6
88GX	GFIT	10990	13.3	1	8 x 8
1010GX	GFIT	17214	14	1	10 x 10
1212GX	GFIT	17128	15	1	12 x 12



Utility requirements for this equipment may vary. Always consult the serving utility for their requirements before ordering or installing equipment.