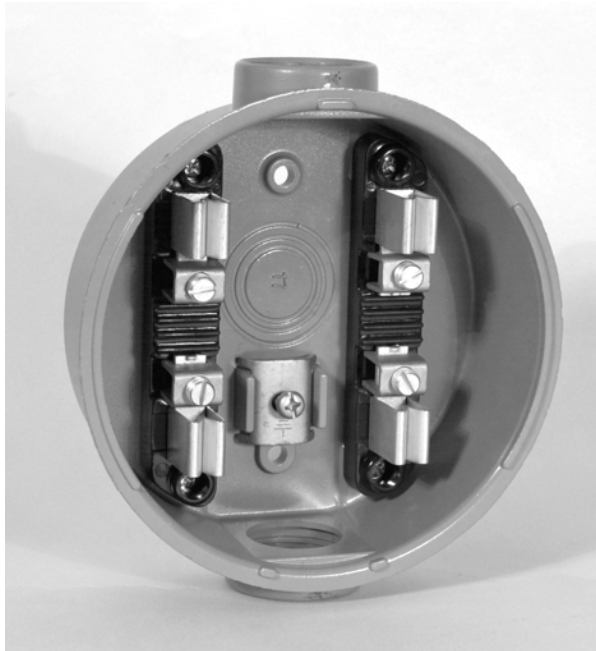


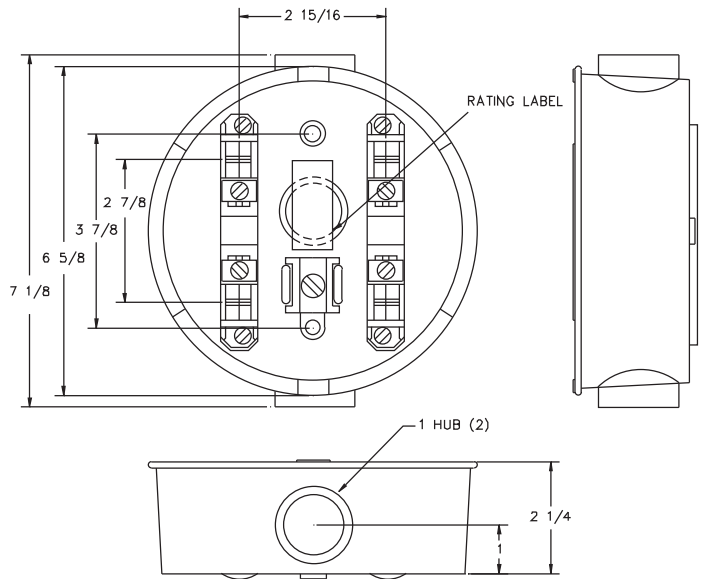
ECONOMY SOCKET

100 amp max rated is ideal for use on:

- Temporary Service
- Outdoor Advertising
- Small Customer Service
- Other Low Amperage Requirements



**FOR USE WITH SINGLE PHASE
SELF-CONTAINED 4 TERMINAL METERS**



SECTION B

METER SOCKETS

Our enclosure is made of die cast aluminum. The electrostatically applied epoxy and polyester resins, which are baked on, form a durable, light gray exterior. The current carrying parts are of copper alloy. The ground connector is designed to insure a positive electrical connection by effectively clamping the conductor against a serrated surface.

30-100 AMP—4 TERMINAL—ECONOMY CAST SOCKET—RING TYPE

SERVICE	CATALOG NUMBER	HUB SIZE	CONNECTOR CU/AL	QUANTITY PER PACKAGE	CONCENTRIC KNOCKOUTS
OH/UG	AP2300-03	1"	#12-#1	12	3/4", 1"
OH/UG	AP2300-04	1 1/4"	#12-#1	12	3/4", 1"

FIFTH & SIXTH TERMINAL: Contact factory.

SEALING RING: Supplied with a snap action sealing ring.

HUB: Units supplied with cast in hub on top and bottom. Consult factory for availability of other hub sizes.

BYPASS: Also available with auto bypass. Contact factory.

Utility requirements for this equipment may vary. Always consult the serving utility for their requirements before ordering or installing equipment in this catalog.