

Transfer Switches Technical Data

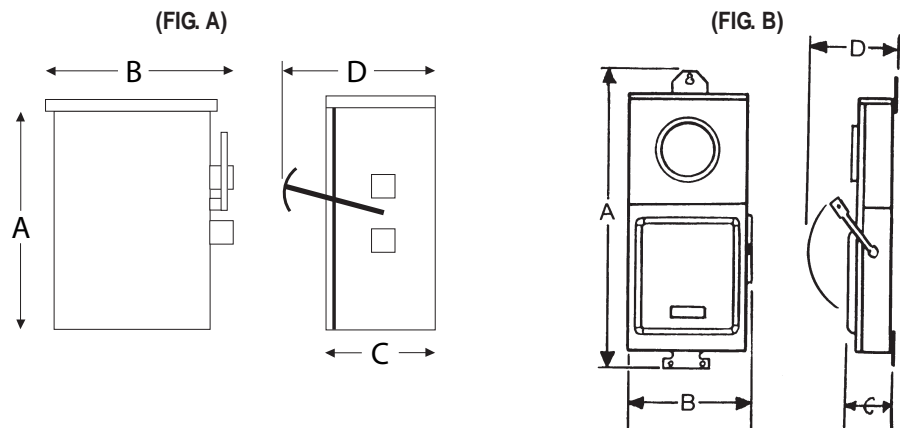


MODEL NUMBER	CABINET SIZE	ENCLOSURE STYLE	CABINET DIMENSIONS				KNOCKOUT FIGURE
			HEIGHT	WIDTH	DEPTH	DEPTH	
			A	B	C	D	
GS1101B12UL	26 x 13 x 6	A	26"	13"	6-3/4"	10-5/8"	1
GS1201B20UL	32 x 15 x 6	A	32"	15-3/4"	6-3/4"	10-5/8"	2
GS1202B20M	38 x 15 x 6	B	38-1/4"	15-3/4"	6"	10-5/8"	2
GS1202B20UL	35 x 15 x 7	A	35"	15-3/4"	7"	10-5/8"	2
GS1402B01UL	43 x 18 x 9	A	43-1/2"	18-1/2"	9-1/4"	14-1/8"	3
GS1404B01UL	43 x 18 x 9	A	43-3/4"	18-1/2"	9-1/4"	14-1/8"	3
GS3161B12UL	26 x 13 x 6	A	26"	13"	6-3/4"	10-5/8"	1
GS3161G	15 x 9 x 7	A	15-3/4"	9-3/4"	7"	6-1/2"	5
GS3262B25UL	34 x 15 x 6	A	34-3/4"	15-3/4"	6-3/4"	10-5/8"	2
GS3262G	30 x 17 x 10	A	30-1/2"	17"	10"	12"	6
GS3402B01UL	42 x 24 x 9	A	42-1/2"	24"	9-1/4"	14-1/8"	4
GS3404B01UL	43 x 24 x 9	A	43-1/2"	24"	9"	14-1/8"	4
GS3464B01UL	43 x 24 x 9	A	43-1/2"	24"	9"	14-1/8"	4

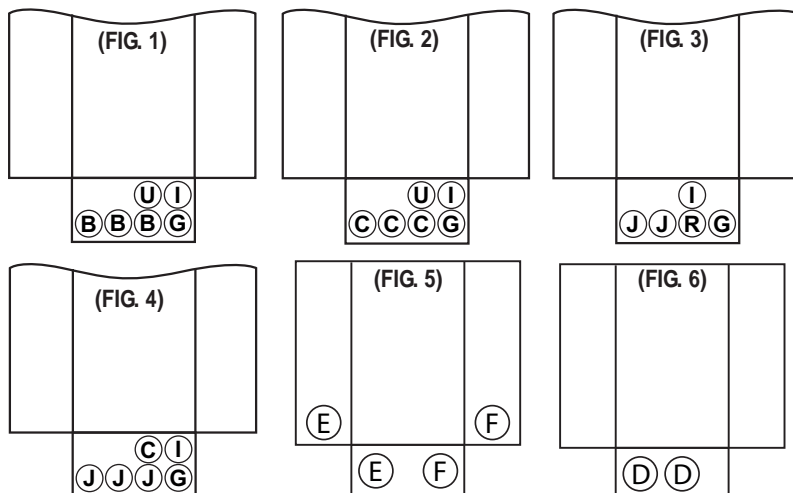
Neutral Kits

MODEL NUMBER	UNIT WGT. LBS.	WIRE RANGE
NEU102	1	(5) 12-1/0
NEU202	1	(2) 14-1/0, (3) 6-250
NEU407	2	(2) 14-1/0, (3) 2-600

Cabinet Dimensions



Knockout Configurations



- B = 1", 1-1/4", 1-1/2"
- C = 1-1/4", 1-1/2", 2"
- D = 2", 2-1/2", 3"
- E = 1", 1-1/4", 1-3/4"
- F = 1-1/4", 1-3/4", 2"
- G = 1/2", 3/4", 1"
- I = 11/16"
- J = 2", 2-1/2", 3", 3-1/2"
- R = 3/4", 1", 1-1/4", 1-1/2", 2"
- U = 1/4"

Data subject to change without notice.

Transfer Switches