

Wiring Devices - Series 309 Pin and Sleeve.

Unique
features.
Versatile.
Safe.

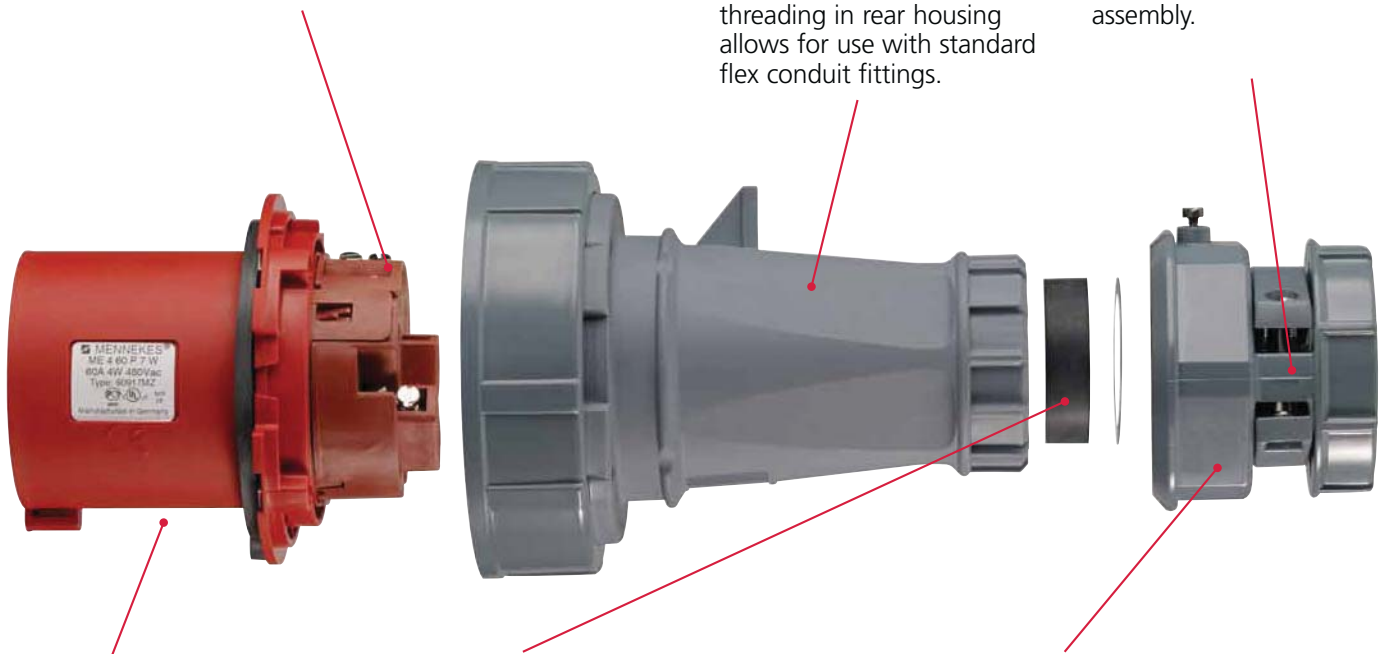


MENNEKES offers a wide range of Wiring Devices for various applications.

The terminals provide a large clamping area, with uniform contact pressure on the conductor providing low contact resistance in use. High operational reliability is assured.

60A and 100A models also have an ergonomic design to facilitate the mating and un-mating of devices. NPT threading in rear housing allows for use with standard flex conduit fittings.

The strain relief clamps and screws are captive reducing the possibility of losing components during assembly.



Nickel-plated plug pins seated in contact carriers molded from heat resistant thermoplastic materials give increased corrosion protection in aggressive and high humidity environments.

The onion ring seal with its large sealing surface can be adapted to all common cable diameters.

The external strain relief protects the sealing ring as it absorbs stresses caused by movement of the cable. A locking screw prevents accidental movement of the strain relief. The effectiveness of the strain relief can be checked at any time, therefore working safety is considerably increased.

Features and benefits

Receptacles

Compact units are ideal for panel mount installations. Receptacles have an oversized ground sleeve to prohibit mismatching of different voltages.

Plugs

In-line plugs feature non-metallic housings with locking rings and gaskets for watertight protection.

Inlets

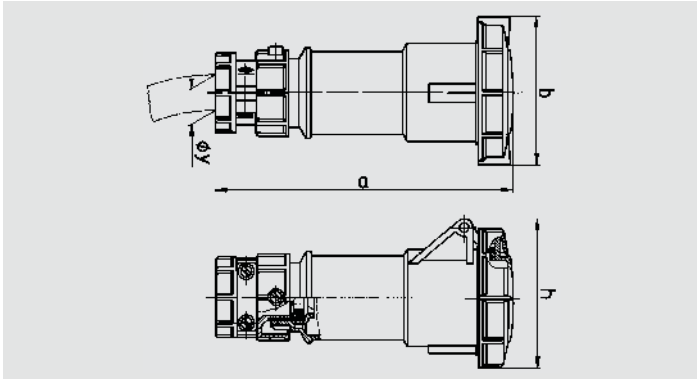
Ideal for generator or motor plug interface applications, inlets are compact and can be surface mounted or mounted with available back boxes.

Connectors

In-line connectors feature dead-front construction for safety and use split brass solid sleeves.

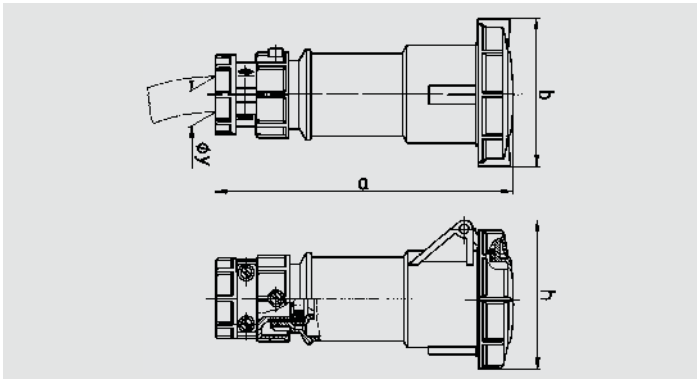
Series 309 - Pin & Sleeve Devices.
Connectors

20 Amp - 100 Amp
Watertight



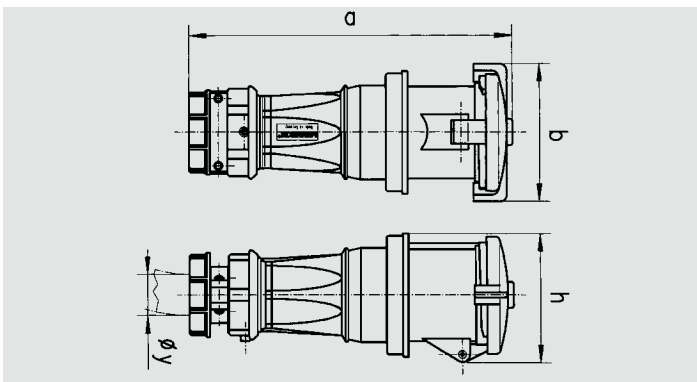
Approximate Dimensions (in inches)

	Wire Configuration		
	2 Pole, 3 Wire	3 Pole, 4 Wire	4 Pole, 5 Wire
a	6.85	7.28	7.92
b	2.84	3.11	3.47
h	3.11	3.47	3.74
y			
Cord Diameter	.36-.76	.36-.76	.45-.94
Threaded Entry (NPT)	3/4	3/4	1



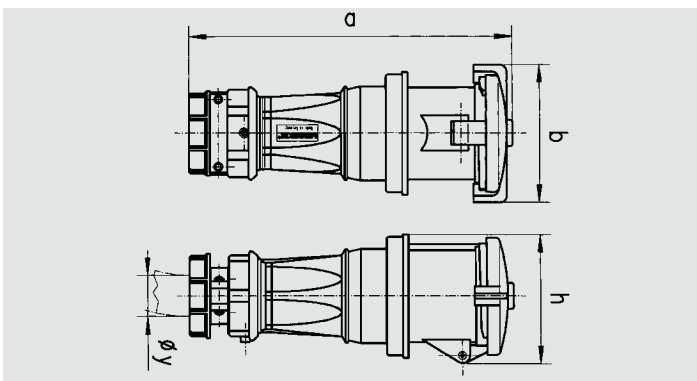
Approximate Dimensions (in inches)

	Wire Configuration		
	2 Pole, 3 Wire	3 Pole, 4 Wire	4 Pole, 5 Wire
a	8.78	8.78	9.18
b	3.78	3.78	4.02
h	3.90	3.90	4.17
y			
Cord Diameter	.43-.94	.43-.94	.43-1.12
Threaded Entry (NPT)	1	1	1 1/4



Approximate Dimensions (in inches)

	Wire Configuration		
	2 Pole, 3 Wire	3 Pole, 4 Wire	4 Pole, 5 Wire
a	10.39	10.39	10.39
b	4.65	4.65	4.65
h	4.45	4.45	4.45
y			
Cord Diameter	.57-1.42	.57-1.42	.57-1.42
Threaded Entry (NPT)	1 1/2	1 1/2	1 1/2



Approximate Dimensions (in inches)

	Wire Configuration		
	2 Pole, 3 Wire	3 Pole, 4 Wire	4 Pole, 5 Wire
a	12.60	12.60	12.60
b	5.31	5.31	5.31
h	4.88	4.88	4.88
y			
Cord Diameter	.98-1.97	.98-1.97	.98-1.97
Threaded Entry (NPT)	2	2	2

**Connectors
20 Amp**


* Available in splashproof. To order, omit W suffix.

Wire Configuration	Voltage	Catalog Number*
2 Pole 3 Wire	125	ME 320C4W
	250	ME 320C6W
	480	ME 320C7W
3 Pole 4 Wire	125/250	ME 420C12W
	3Ø250	ME 420C9W
	3Ø480	ME 420C7W
4 Pole 5 Wire	3Ø600	ME 420C5W
	3ØY120/208	ME 520C9W
	3ØY277/480	ME 520C7W
	3ØY347/600	ME 520C5W

**Connectors
30 Amp**


* Available in splashproof. To order, omit W suffix.

2 Pole 3 Wire	125	ME 330C4W
	250	ME 330C6W
	480	ME 330C7W
3 Pole 4 Wire	125/250	ME 430C12W
	3Ø250	ME 430C9W
	3Ø480	ME 430C7W
4 Pole 5 Wire	3Ø600	ME 430C5W
	3ØY120/208	ME 530C9W
	3ØY277/480	ME 530C7W
	3ØY347/600	ME 530C5W

**Connectors
60 Amp**


* Available in splashproof. To order, omit W suffix.

2 Pole 3 Wire	125	ME 360C4W
	250	ME 360C6W
	480	ME 360C7W
3 Pole 4 Wire	125/250	ME 460C12W
	3Ø250	ME 460C9W
	3Ø480	ME 460C7W
4 Pole 5 Wire	3Ø600	ME 460C5W
	3ØY120/208	ME 560C9W
	3ØY277/480	ME 560C7W
	3ØY347/600	ME 560C5W

**Connectors
100 Amp**


2 Pole 3 Wire	125	ME 3100C4W
	250	ME 3100C6W
	480	ME 3100C7W
3 Pole 4 Wire	125/250	ME 4100C12W
	3Ø250	ME 4100C9W
	3Ø480	ME 4100C7W
4 Pole 5 Wire	3Ø600	ME 4100C5W
	3ØY120/208	ME 5100C9W
	3ØY277/480	ME 5100C7W
	3ØY347/600	ME 5100C5W