

SHOEBOX FIXTURES

SB SERIES

Project _____
 Part Number _____
 Quantity _____



APPLICATIONS

- Parks
- Parking Lots
- Tennis Courts
- Pools
- Area Lighting

FEATURES

- 100,000 Hour Lifespan (IESNA)
- 10 Year Warranty
- Die Formed, Powder Coated Aluminum Housing
- Clear Tempered Flat Glass Lens
- Arm Mount for Square Pole, Optional Slip Fitter Mount for Flood
- Ambient Temp Range: -30 to 130 deg F



LAMP/GENERATOR

- 120-277V Universal Electronic Ballast
- Available 0-10V Dimming, 2-way Communication
- Power Factor > 0.95, Operation Frequency 50Hz/60Hz
- Instant-On, Flicker Free, Minimum Light Loss
- 70W—400W Round Tubular Lamp Design (300W & 400W Use Two Lamps/Ballasts)
- Color Temps Available: 3000K—5000K
- CRI > 85—Excellent Color Rendition

Product #	Wattage	Replaces	Lm/W	Lumens	IP Rating	Size	Lens
MHT-SB-70E	70	MH - 100W HPS - 150W	82 - 85	5,775	54	16.5" x 16.5"	Flat Glass
MHT-SB-80E	80	MH - 100W HPS - 150W	82 - 85	6,600	54	16.5" x 16.5"	Flat Glass
MHT-SB-100E	100	MH - 175W HPS - 200W	82 - 85	8,250	54	16.5" x 16.5"	Flat Glass
MHT-SB-150E	150	MH - 250W HPS - 300W	82 - 85	12,375	54	32.6" x 24.6"	Flat Glass
MHT-SB-200E	200	MH - 360W HPS - 400W	82 - 85	16,500	54	32.6" x 24.6"	Flat Glass
MHT-SB-250E	250	MH - 400W HPS - 500W	85 - 90	21,875	54	32.6" x 24.6"	Flat Glass
MHT-SB-300E	300	MH - 500W HPS - 750W	82 - 85	25,500	54	35" x 27"	Flat Glass
MHT-SB-400E	400	MH - 750W HPS - 750W	82 - 85	34,000	54	35" x 27"	Flat Glass



Manufactured in the USA

Toll Free **888-511-7780** • www.mhtlighting.com

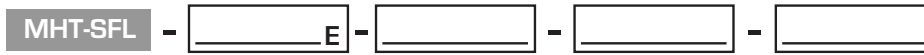


SHOEBOX FIXTURES

SB SERIES

Project _____
 Part Number _____
 Quantity _____

ORDERING CODES



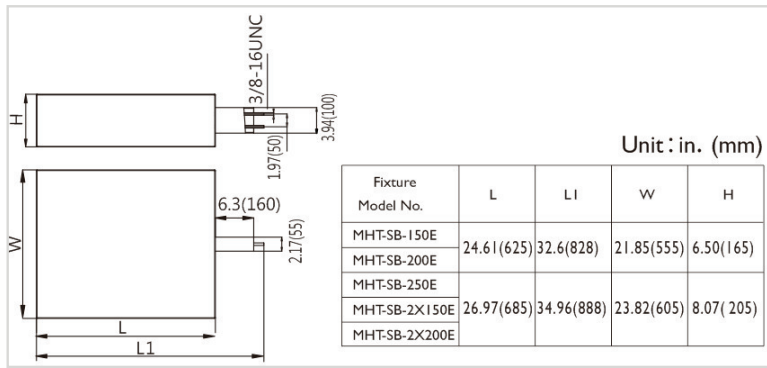
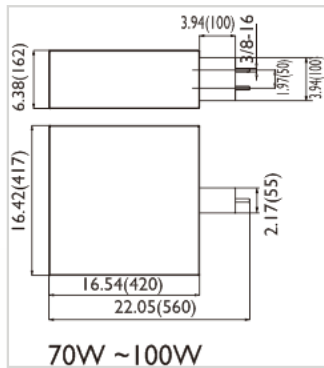
Wattage:
 70, 80, 100,
 150, 200, 250,
 300, 400

Color Temp:
 3K = 3000K
 4K = 4000K
 5K = 5000K

Voltage:
 U = 120~277V
 3 = 347V
 4 = 480V*
 *Transformer required

Options: (please specify voltage)
 SD = Step Dimming Ballast
 OS = Occupancy Sensor (requires "SD" Code if step Dim)
 CC = Custom Color (requires RAL code)
 PR = Photocell receptacle
 PC = photocell (std. or coin plug)
 EA = Arm (6", 10")
 SF = Slip fitter (2 3/8" OD)

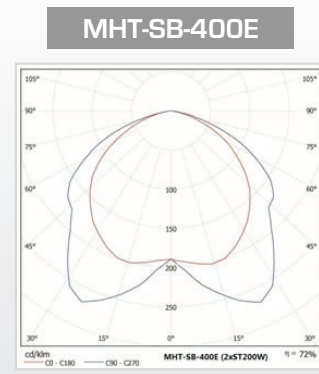
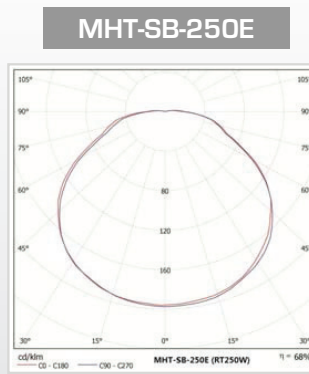
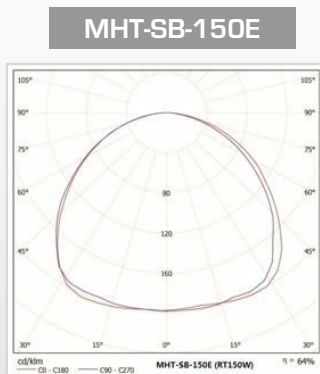
DIMENSIONS



Unit: in. (mm)

Fixture Model No.	L	L1	W	H
MHT-SB-150E	24.61(625)	32.6(828)	21.85(555)	6.50(165)
MHT-SB-200E				
MHT-SB-250E				
MHT-SB-2X150E	26.97(685)	34.96(888)	23.82(605)	8.07(205)
MHT-SB-2X200E				

SAMPLE PHOTOMETRICS



- MHT Products are UL Listed and Assembled in ISO9000/1 Certified US Facility
- Every product is quality tested and inspected prior to shipment
- MHT Lighting offers a 10-year or 60,000 hour Warranty (please see Warranty Terms and Conditions)
- Proudly Manufactured in the USA. Meets "Buy American" requirements within the ARRA

MHT Plant Operations
 1961 Richmond Terrace
 Staten Island, New York 10302
 Tel: (718) 524-4370
 Fax: (718) 524-4390

West Coast Operations
 9543 Heinrich Hertz Dr. Suite 5
 San Diego, California 92154
 Tel: (619) 661-0600
 Fax: (619) 661-0607

www.mhtlighting.com
888-511-7780

MHT Confidential
 Rev Date: Dec-11