

Passive Infrared Wall Switches



LOS-SIR



LOS-SIR-M



LOS-SIR-HD



LOS-S2IR-HD

The LOS-SIR Series of infrared sensors offer a direct and quick replacement of wall switches for stand-alone line voltage switching of small spaces. The advanced microprocessor in combination with infrared technology detects occupancy and reduces energy consumption. They install quickly and easily and provide excellent energy savings as well as reliable motion detection.

General Features

- Dual 120/277 V_~ operation
- Integral adjustable light level sensor (except LOS-SIR-M)
- Compatible with electronic ballasts and PL lamps
- No minimum load requirement
- High immunity to RFI and EMI
- 180° field of view
- Adjustable time delay

Model-Specific Features

- M models conform to residential Title 24 (manual on, auto off)
- HD models have heavy-duty lens to prevent damage
- S2IR-HD model has dual-level switching, allowing for two primary input circuits, each with independent switching

Models Available

Cat. No.	Color	Coverage (sq.ft.)	Special Features
LOS-SIR-WH	White	900	Auto On/Auto Off
LOS-SIR-IV	Ivory	900	Auto On/Auto Off
LOS-SIR-M-WH	White	900	Manual On/Auto Off
LOS-SIR-M-IV	Ivory	900	Manual On/Auto Off
LOS-SIR-HD-WH	White	1,000	Heavy-duty lens
LOS-S2IR-HD-WH	White	1,000	Dual-circuit; Heavy-duty lens

General Operation

The LOS-SIR Series of sensors monitor an established area through a PIR lens and are alerted by a moving heat source, such as a human body, which causes the sensor to automatically switch "ON" available lighting. With a fully adjustable time delay, sensitivity, and light level control, convenience and performance are optimized. The sensor's internal circuitry allows it to operate with any lighting load, including electronic ballasts, PL lamps, and exhaust fans.

Job Name:	Model Numbers:	
<input type="text"/>	<input type="text"/>	<input type="text"/>
Job Number:	<input type="text"/>	<input type="text"/>

Specifications

Adjustability

- 30 seconds to 30 minutes time delay
- 20% to 100% sensitivity
- Auto/Off push switch for override to "OFF"

Maximum Load Requirements

- 120 V: 1000 W ballast, 800 W incandescent
- 277 V: 1800 W ballast

Sensing

- Integral light level sensor (except LOS-SIR-M)
LOS-SIR and HD models 5 to 200 foot-candles
- Optical lens rejects "white light" and prevents false triggering
- Multi-segment IR lens (HD models have tamper-resistant heavy-duty lens)

Power

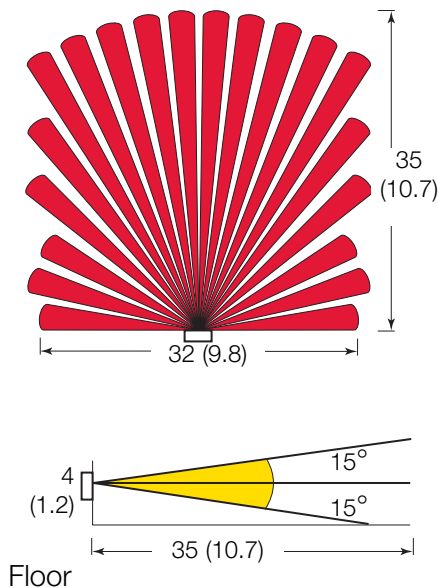
- Operating voltage: 120/277 V~, 50/60 Hz
- Compatible with all electronic ballasts and PL lamps
- No minimum load requirement
- S2IR-HD controls 2 circuits independently
- UL and CUL listed

Operating Environment

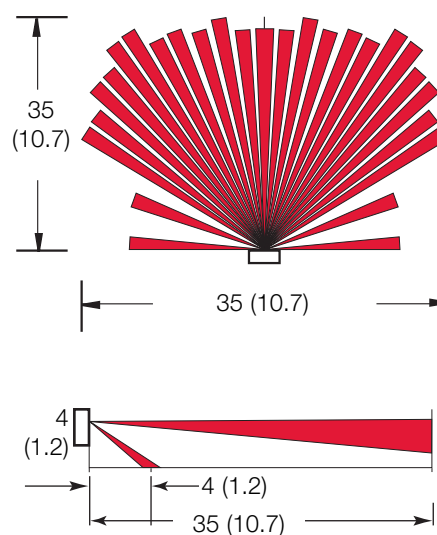
- Temperature: 0°F to 100°F (-18°C to 38°C)
- Relative humidity: less than 95%, non-condensing
- For indoor use only

Range Diagrams

LOS-SIR, LOS-SIR-M models



LOS-SIR-HD models



Measurements are in feet (m)

Job Name:	Model Numbers:	
<input type="text"/>	<input type="text"/>	<input type="text"/>
Job Number:	<input type="text"/>	<input type="text"/>