

Pico Wireless Control and Pedestal

The *Pico* Wireless Control is a flexible and easy to use device that allows the user to control *Maestro Wireless* dimmers, lamp dimmers, and switches. The *Pico* wireless control can function as a tabletop control on a pedestal, a lightweight handheld remote, a control clipped to a car visor, or it can be wall-mounted with or without a Lutron® Claro® faceplate, to mimic a traditional keypad. The battery operated control requires no external power or communication wiring.

Features

- Provides control for *Maestro Wireless* dimmers and switches, allowing users to:
 - Raise and lower lighting levels (MRF2-3BRL-L only)
 - Recall a favorite lighting level (3 buttons versions only)
- Control available in 8 colors to suit a variety of applications
- Easy configuration for use as a handheld control, car visor control, wall-mount control, or table top control with use of the optional pedestal
- Simply installed in a 1-gang, 2-gang or multi-gang installation with the included wall mount adapter and mounting template
- Tabletop pedestal available in black and white
- Battery powered control requires no wiring
- Control provided with the battery included
- Can provide control to up to ten (10) *Maestro Wireless* dimmers, switches and lamp dimmers within a 100 ft (30 m) line of sight or 30 ft (9 m) through walls range

Model Numbers

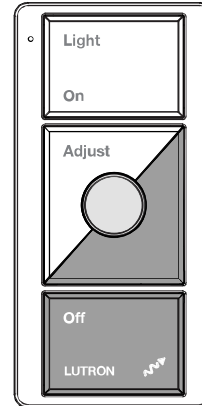
Pico wireless controls

- MRF2-3BRL-L-XX 3 buttons with Raise/Lower
- MRF2-3B-L-XX 3 buttons with Preset Button
- MRF2-3B-L-XX-E01 3 buttons with Welcome Button
- MRF2-2B-L-XX 2 buttons

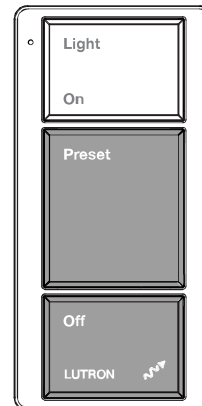
Pedestals

- L-PED1-XX Single pedestal
- L-PED2-XX Double pedestal

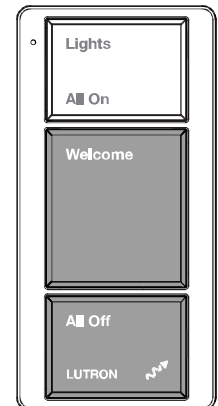
“XX” in the model number represents color/finish code.



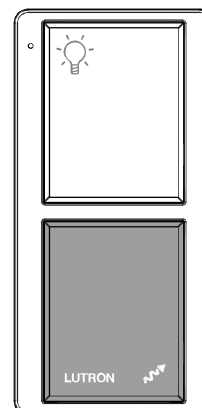
MRF2-3BRL-L-XX



MRF2-3B-L-XX



MRF2-3B-L-XX-E01
Available Q2



MRF2-2B-L-XX
Available Q2

Job Name:	Model Numbers:
Job Number:	

Specifications

Standards

- FCC Approved. Complies with the limits for a Class B digital device, pursuant to Part 15 of the FCC Rules.
- Industry Canada Certified.

Power

- Operating Voltage 3 V⁼⁼⁼
- (1) CR2032 Battery (included)

Key Design Features

- Configurable for use as a handheld control, car visor control, wall-mount control, or table top control, with the use of the optional pedestal
- Fits inside a Lutron® Claro® wallplate or standard designer wallplate opening
- Can be wall mounted in a variety of configurations
 - Alone without a wallplate
 - Alone within a 1-gang wallplate
 - With another Pico wireless control in a 2-gang or multi-gang wallplate
 - With other designer style devices in a 2-gang or multi-gang wallplate
 - Mounted over a standard wallbox with the optional mounting plate (model# PICO-FP-ADAPT)
- Mounting template is provided online to accommodate all wall mounting configurations
- Optional pedestal is available for converting the Pico wireless control to a tabletop control.
- 5-year battery life.

System Communication and Capacity

- Pico wireless controls communicate with *Maestro Wireless* dimmers and switches with radio frequency (RF) at 434 MHz FM
- Unique serial number prevents interference between systems
- Pico wireless controls can be assigned to control up to ten (10) *Maestro Wireless* dimmers, switches and lamp dimmers that are within a 100 ft (30 m) line of sight or 30 ft (9 m) through walls range

Environment

- Ambient operating temperature: 32 °F to 140 °F (0 °C to 60 °C)

Warranty

- 1-year limited warranty

Color/Finish Codes

Pico wireless control

Gloss Colors	Code
White/Gray*	WG
White	WH
Ivory	IV
Almond	AL
Light Almond	LA
Black	BL
Gray	GR
Brown	BR

* **Note:** On the MRF2-3BRL-L White/Gray Pico wireless controls, the preset button is silver, the top and raise button are white, and the bottom and lower buttons are gray. On the MRF2-3B-L and MRF2-2B-L White/Gray Pico wireless controls, the top button is white and the preset and/or bottom buttons are gray. All other offerings have uniform button colors.

Pedestal

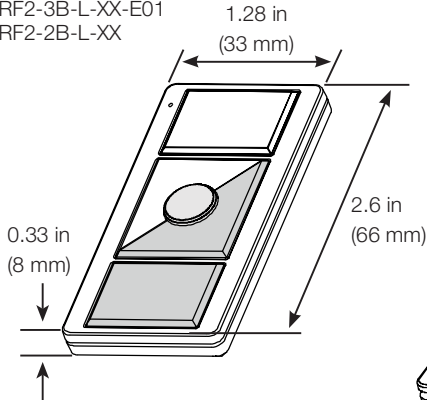
Gloss Colors	Code
White	WH
Black	BL

Job Name:	Model Numbers:
Job Number:	

Dimensions

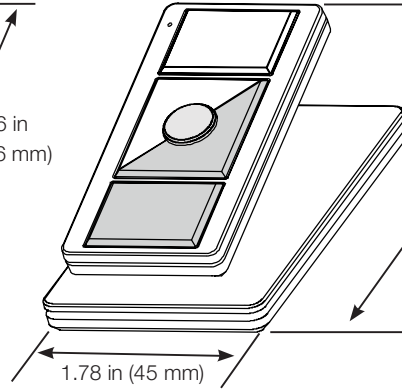
Pico wireless control

MRF2-3BRL-L-XX (shown)
 MRF2-3B-L-XX
 MRF2-3B-L-XX-E01
 MRF2-2B-L-XX



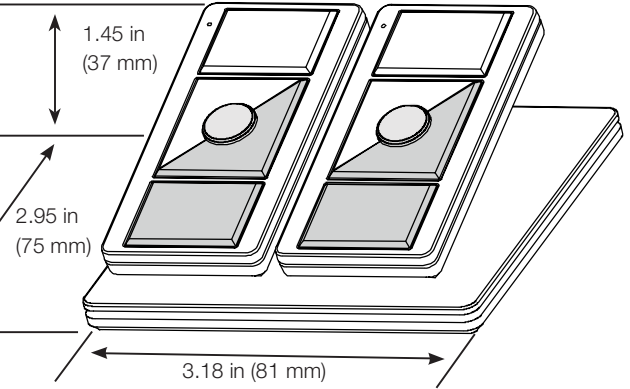
Single Pedestal

L-PED1-XX

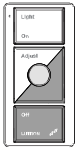


Double Pedestal

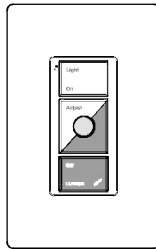
L-PED2-XX



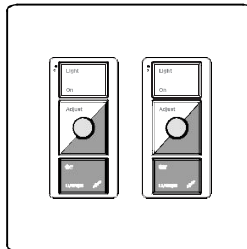
Wall Mounting Configurations:



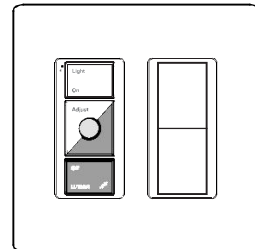
Pico wireless control without a wallplate



Pico wireless control with a 1-gang wallplate



Two Pico wireless controls with a 2-gang wallplate



Pico wireless control and existing device with a 2-gang wallplate

Claro® Wallplate Models

Model	Configuration
CW-1-XX	1-gang
CW-2-XX	2-gang
CW-3-XX	3-gang
CW-4-XX	4-gang

Claro Wallplate Colors

Color	Color Code
White	WH
Ivory	IV
Almond	AL
Light Almond	LA
Black	BL
Gray	GR
Brown	BR

Job Name:	Model Numbers:
Job Number:	