

LUNERA CFL LED LAMP GEN4

LED Replacement for 4-pin Compact Fluorescent Lamps



Description

The LUNERA CFL LED is a plug-and-play LED replacement for CFL downlights with 4-pin G24q-series (electronic ballast) sockets. Simply choose the configuration for Horizontal or Vertical versions, plug it in like any CFL lamp, and enjoy the improved light quality and energy savings - no need to bypass the CFL ballast.

These beautiful lamps have a Color Rendering Index (CRI) of >80 and deliver 900 lumens of usable light. The Lunera CFL LED is available in 2700K, 3000K, 3500K, and 4000K color temperatures.

The long lifespan of the Lunera CFL LED is rated at 50,000 hours, 5x longer than CFLs and is supported by a five year warranty.

The Lunera CFL LED offers 50%+ energy savings and is compatible with 18W, 26W, 32W, and 42W CFLs, making it easy to save even more energy.



4-pin Horizontal



4-pin Vertical

Features

- Directly replaces 18W , 26W, 32W, and 42W CFLs (4-pin)
- Plug-and-Play installation
- >80 CRI
- Delivers up to 1000 lumens
- CCT 2700K, 3000K, 3500K and 4000K
- 50,000 hours to L70 lifespan
- 5-Year Warranty



Ordering Information

Example: HN-V-G24Q-B-11W-827-G4

Series	Version	Socket Type	Power Supply	Lamp Wattage	CCT	Generation
HN: CFL LED	V: Vertical H: Horizontal	G24Q: Recessed downlight with G24q series 4-Pin CFL socket	B: Ballast Driven 4-pin Lamp	11W: Replaces 18W, 26W, 32W, and 42W CFL	827: 2700K CCT 830: 3500K CCT 835: 3500K CCT 840: 4000K CCT	G4: 4th Generation

PROJECT	CONTACT	MODEL NO.
REFERENCE NO.	QUANTITY	DATE

Product Specifications

Illumination

Color Temperatures	2700K, 3000K, 3500K, 4000K
Delivered Lumens:	@2700K 880lm(horizontal), 925lm(vertical) @3000K 900lm(horizontal), 970lm(vertical) @3500K 910lm(horizontal), 1000lm(vertical) @4000K 925lm(horizontal), 1020lm(vertical)
CRI	>80
Color Consistency	Lunera TruColor Proprietary Process
Lumen Maintenance (L70)	50,000+ hours life

Electrical System

Power Factor	> 90% (determined by installed ballast)
Total Harmonic Distortion	< 20% (determined by installed ballast)
Input Voltage	Driven by CFL Electronic Ballast
Average Lamp Power	11W
Total Power (Lamp + Ballast)	13W (Horizontal), 14W (Vertical)
Lamp Wattage Replaced	26W (18W, 32W and 42W compatible)
Dimming	Non-dim applications only

Physical

Weight	0.25 lbs
Housing and Finish	Aluminum, Painted
Optics	Optical Acrylic Diffusion

Environment

Ambient Operating Temp	-4°F to 150°F (-20°C to 75°C)
Ambient Operating Humidity	Dry and Damp Certified
Max Heat Sink Temp	221°F (105°C)

Installation

Socket Type (electronic)	G24q series 4-Pin CFL socket
--------------------------	------------------------------

Certifications & Qualifications

UL	Recognized USA & CAN
RoHS Compliant	Contains no lead or mercury
LM79, LM80, IES Files	Completed

Warranty

Warranty	5 years
----------	---------

Application Notes

The CFL LED lamp is intended for operation with ballasts from the following manufacturers:

- Triad/Universal Lighting Technologies
- OSRAM Sylvania
- Energy Savings
- Hatch model #s C213UNVME, QTP 2x26CF/UNV DM, 226/32/42,FUNV DM, ICF-2S18-H1-LD, ES-2-CFQ-26-120-C, HC226PS/UV/WJ

The CFL LED lamp is not intended for use in lensed downlights.

For applications containing dimming ballasts, please contact Lunera for specific compatibility.

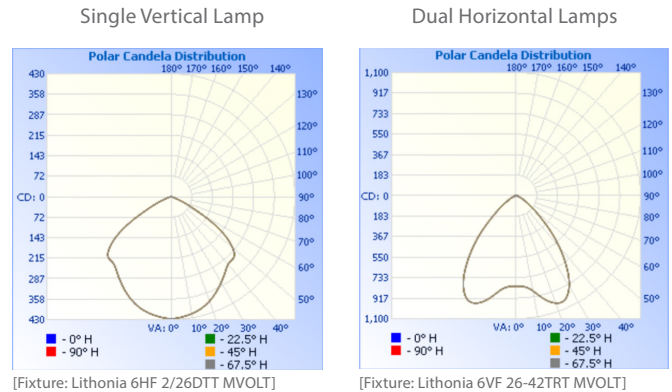
CAUTION - IF THE LAMP OR LUMINAIRE EXHIBITS UNDESIRABLE OPERATION (BUZZING, FLICKERING, ETC.), IMMEDIATELY TURN OFF POWER, REMOVE LAMP FROM LUMINAIRE AND CONTACT MANUFACTURER.

THIS LAMP ONLY OPERATES ON ELECTRONIC BALLASTS. IF LAMP DOES NOT LIGHT WHEN THE LUMINAIRE IS ENERGIZED, REMOVE LAMP FROM LUMINAIRE AND CONTACT LAMP MANUFACTURER OR QUALIFIED ELECTRICIAN.

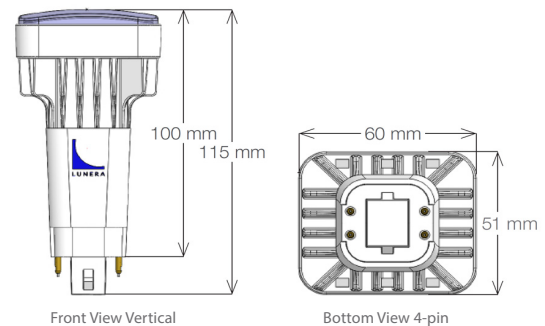
For Technical Support: www.lunera.com
<https://lunera.com/freshdesk.com/support/home>
 R0952016 © 2016 Lunera® Lighting

Photometry

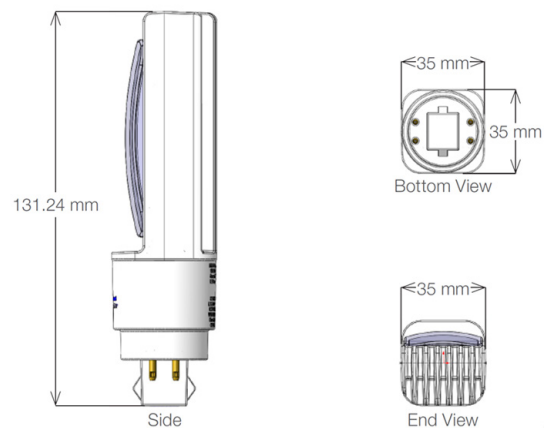
Lamps tested in DLC reference fixtures:



Vertical Package



Horizontal Package



T (650) 241-3874