

Security Lighting

65 – 150 watts MH/HPS/CFL



FEATURES

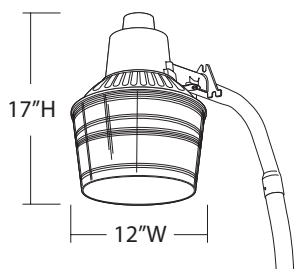
- Arm-mounted security light for yards and lots, service roads and building perimeters
- Rugged, die-cast aluminum head with photocell included
- Formed aluminum reflector and open-bottom refractor for ease of maintenance and lamp replacement
- Prismatic refractor provides uniform symmetrical Type V distribution
- Mounting arm and all mounting hardware included in carton

ORDERING INFORMATION

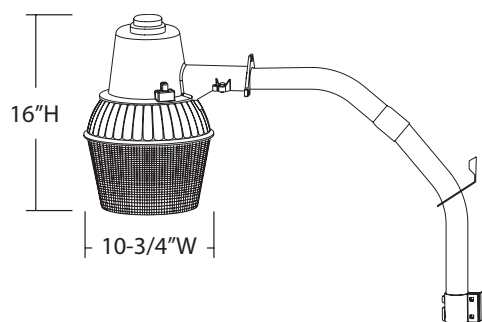
Catalog Number	UPC	Description	Wattage	Lamp Source	Voltage	Mounting Arm Length	Lamp Included	Approximate Weight (lbs)	Pallet Qty.	Standard Carton Qty.
TDD100ML 120 M2	745974100140	12" Security Light	100	MH	120	24"	Y	12	24	2
TDD100SL 120 M2	745973506189	12" Security Light	100	HPS	120	24"	Y	12	24	2
TDD150SL 120 M2	745973506172	12" Security Light	150	HPS	120	24"	Y	12	24	2
TDD65L 120 M2	745974487494	10" Security Light	65	Fluorescent	120	18"	Y	4	32	2

DIMENSIONS

TDD



TDD 65



ACCESSORIES

- **CF65QT41 M6**
Replacement for 65W fluorescent lamp
- **RK1 TDDLENS M6**
Security Light Replacement Lens (not available on the 65W fluorescent version)

Certain airborne contaminants can diminish integrity of acrylic. See pg.120 for Acrylic Compatibility table for suitable uses.