

## FEATURES & SPECIFICATIONS

**INTENDED USE** — The I-BEAM® IBZ fluorescent high bay is ideal for new construction and renovation projects. It is a one-for-one replacement of common metal halide high bay systems. Applications include manufacturing, warehousing, commercial and industrial facilities. The IBZ fixture performs well at mounting heights from 15'-40'. **Certain airborne contaminants can diminish integrity of acrylic.** [Click here for Acrylic Environmental Compatibility table for suitable uses.](#)

**CONSTRUCTION** — The highly configurable design of the IBZ high bay allows for a multitude of fixture options that can either be factory- or field-installed. In addition to the reliable operation of IBZ fixtures, the reflectors tightly control the distribution of light and effectively manage lamp heat to increase the overall efficiency. The result is superior optics in either narrow distribution for aisles, or wide distribution for general lighting. Installation is made quick and easy with IBZ hanging accessories such as the aircraft cable and single-point mounting bracket. IBZ fixtures can be factory-wired to have both sensors and cord sets, further reducing installation time. The configurability, performance and ease of installation make IBZ fixtures the preferred choice for fluorescent high bay lighting.

Channel is formed of heavy-duty code-gauge (22-gauge) steel to stand up to the most demanding elements. Lamp holder assembly protects from incidental damage or movement of sockets during handling and installation. Sockets include secure positioning rotating collars with enclosed contacts. Access plate on the back of the channel housing allows quick and easy wiring. Finish: Channel is high-gloss white baked enamel; five-stage iron phosphate pretreatment ensures superior paint adhesion and rust resistance.

**OPTICS** — Two optical systems are available. Narrow distribution is ideal for narrow or aisle lighting applications and features precision-formed segmented optics utilizing specular aluminum reflector. Provides 95% reflectivity and warranted for 25 years. Wide distribution includes high-reflectance white finish for general or open areas.

**ELECTRICAL** — Thermally protected, resetting, Class P, HPF, A+ sound-rated electronic ballast. AWM TFM or THHN wire used throughout rated for required temperatures. Ballast disconnect (BDP) is standard unless EL14 or cordset is requested.

**INSTALLATION** — Suitable for suspension by chain, cable, surface-mounting bracket, hook monopoint or single (pendant) monopoint. Surface mounting not recommended without optional surface mounting bracket.

**LISTINGS** — CSA Certified to U.S. and Canadian safety standards (UL1598 and CSA 250.0-08 for 25C ambient operation). Suitable for damp locations.

**WARRANTY** — 1-year limited warranty. Complete warranty terms located at [www.acuitybrands.com/CustomerResources/Terms\\_and\\_conditions.aspx](http://www.acuitybrands.com/CustomerResources/Terms_and_conditions.aspx)

Actual performance may differ as a result of end-user environment and application.

Note: Specifications subject to change without notice.

Catalog Number
Notes
Type



Fluorescent High Bay

# IBZ

4-, 6- or 8-lamp T8  
Patent Pending

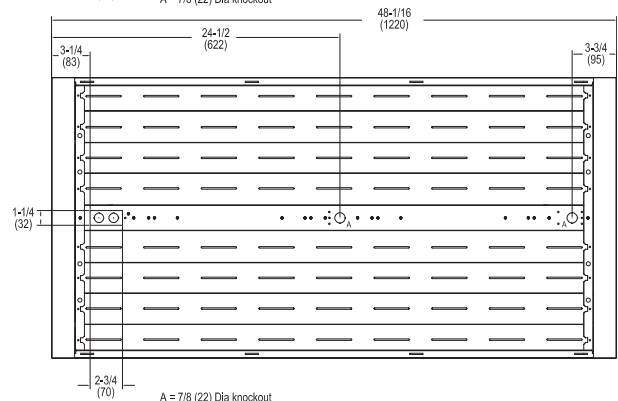
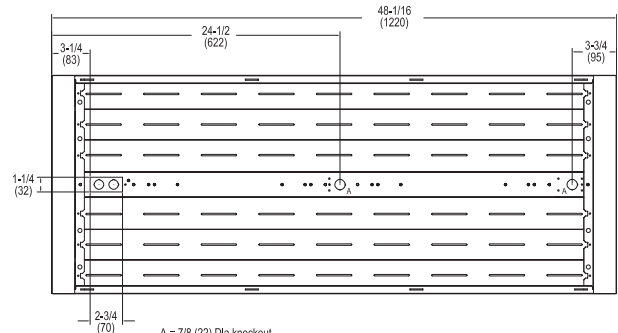
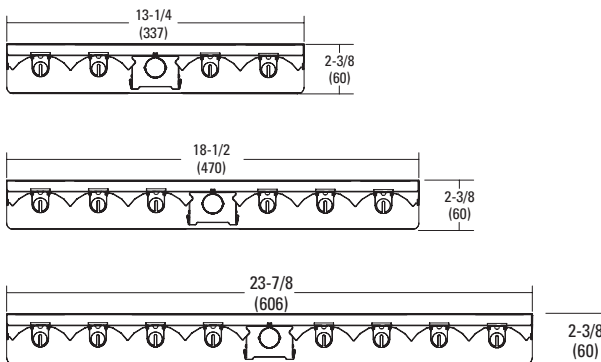


SPECIFICATIONS				
	Length	Width	Depth	Weight
<b>4-lamp</b>	48-1/16 (1221)	13-1/4 (337)	2-3/8 (60)	16 lbs. (7.3 kg)
<b>6-lamp</b>	48-1/16 (1221)	18-1/8 (460)	2-3/8 (60)	20 lbs (9.1 kg)
<b>8-lamp</b>	48-1/16 (1221)	23-7/8 (606)	2-3/8 (60)	25 lbs. (11.3 kg)

All dimensions are inches (millimeters) unless otherwise specified and may vary with options or accessories.

## DIMENSIONS

Dimensions may vary with options or accessories.



# IBZ Fluorescent High Bay, T8

## ORDERING INFORMATION

For shortest lead times, configure products using **standard options (shown in bold)**.

**Example:** IBZ 432L

IBZ Series	Lamp type	Distribution	Shielding <sup>2</sup>	Voltage	Ballast configuration
<b>IBZ</b> <i>For tandem double-length unit, add prefix "T". Ex: TIBZ</i>	<u>Lamps installed<sup>1</sup></u> <b>432L</b> 4-lamp 32W T8 <b>632L</b> 6-lamp 32W T8 <b>832L</b> 8-lamp 32W T8 <u>Unlamped</u> <b>432</b> 4-lamp 32W T8 <b>632</b> 6-lamp 32W T8 <b>832</b> 8-lamp 32W T8	<b>(blank)</b> Narrow distribution, ≤5% uplight NDU Narrow distribution, enhanced uplight, ≤13% uplight <b>WD</b> Wide distribution, ≤5% uplight WDU Wide distribution, enhanced uplight, ≤13% uplight	<b>(blank)</b> No shielding A12125 Pattern 12 acrylic, 0.125" <sup>3</sup> ACL Clear acrylic, 0.125" <sup>3</sup> PCL125 Clear polycarbonate, 0.125" <sup>3</sup>	<b>(blank)</b> MVOLT; 120-277V	<b>(blank)</b> Standard configuration

Ballast	Lamp color	Options	Cord sets:	Motion sensors:
<b>(blank)</b> T8 electronic, instant start, 1.15-1.20 BF GEB10IS T8 electronic ballast, ≤10% THD, instant start, .88 BF GEB10PS T8 electronic ballast, ≤10% THD, programmed rapid start, .88 BF GEB10PSH T8 electronic ballast, ≤10% THD, programmed rapid start, 1.15-1.20 BF	<b>(blank)</b> F32T8/841 LP835 F32T8/835 LP850 F32T8/850	GLR Internal fast-blow fuse <sup>4,5</sup> GMF Internal slow-blow fuse <sup>4,5</sup> EL14 Emergency battery pack <sup>4,6,7</sup> EL14SD Emergency battery pack w/ self-diagnostics <sup>4,6,7</sup> I162 1250 lumens per lamp battery <sup>4,6,8</sup> OUTCTR Wiring leads pulled through back center of fixture <sup>2</sup> OCS RELOC® OnePass® 5' installed <sup>4</sup> IMP Integrated modular plug <sup>9,10</sup> FSP Integral full side panels	CS1W Straight plug, 120V <sup>11,12</sup> CS3W Twist-lock, 120V <sup>11,12</sup> CS7W Straight plug, 277V <sup>11,12</sup> CS11W Twist-lock, 277V <sup>11,12</sup> CS25W Twist-lock, 347V <sup>11,12</sup> CS97W Twist-lock, 480V <sup>11,12</sup> CS93W 600 SO white cord, no plug (no voltage required) <sup>11</sup>	MSI Aisle motion sensor, pre-wired <sup>13</sup> MSI360 360° motion sensor, pre-wired <sup>13</sup> MSE360 360° motion sensor, embedded <sup>14</sup> MSE360LB 360° motion sensor, embedded <sup>15</sup> XP1 XPoint single relay <sup>16</sup> XP2 XPoint double relay <sup>16</sup> <u>Wireguards:</u> WGX External wireguard installed 2WGX Dual wireguard for top and bottom protection <sup>17</sup>

Accessories: Order as separate catalog number.				
Mounting:	Field-installable door and lens assemblies: <sup>2,19</sup>	Cord sets and sensors for IMP option:	Wireguards:	
IBAC120 M20 Aircraft cable 10' with hook (one pair)	DLIBZ14 A12125 4-lamp pattern 12 acrylic lens, 0.125" <sup>2,19</sup>	CS1WIMP Straight plug, 120V <sup>11,12</sup>	WGIBZ14 Standard 4-lamp wireguard	
IBAC240 M20 Aircraft cable 20' with hook (one pair)	DLIBZ14 ACL 4-lamp clear acrylic lens <sup>2,19</sup>	CS3WIMP Twist-lock, 120V <sup>11,12</sup>	WGIBZ19 Standard 6-lamp wireguard	
IBHMP Hook monopoint	DLIBZ14 PCL125 4-lamp clear polycarbonate lens, 0.125" <sup>2,19</sup>	CS7WIMP Straight plug, 277V <sup>11,12</sup>	WGIBZ24 Standard 8-lamp wireguard	
IBZACVH Aircraft 10' V hanger (one pair)	DLIBZ19 A12125 6-lamp pattern 12 acrylic lens, 0.125" <sup>12,19</sup>	CS11WIMP Twist-lock, 277V <sup>11,12</sup>		
IBZTFC Tandem coupler and 8' side panel	DLIBZ19 ACL 6-lamp clear acrylic lens <sup>2,19</sup>	CS25WIMP Twist-lock, 347V		
IBZPMP Pendant monopoint splice box, includes side covers <sup>18</sup>	DLIBZ19 PCL125 6-lamp clear polycarbonate lens, 0.125" <sup>2,19</sup>	CS93WIMP 600V SO white cord, no plug (no voltage required) <sup>11</sup>		
IBZPMPHB Pendant monopoint splice box, includes side covers (3/4" hub) <sup>18</sup>	DLIBZ24 ACL 8-lamp clear acrylic lens <sup>2,19</sup>	CS97WIMP Twist-lock, 480V		
HBBS36 Chain hanger, 36" (one pair)	DLIBZ24 PCL125 8-lamp clear polycarbonate lens, 0.125" <sup>2,19</sup>	MSIIMP Aisle sensor <sup>10,20</sup>		
IBZSMB Surface-mounting bracket (one pair)		MSI360IMP 360° sensor <sup>10,20</sup>		

## Notes

- Lamps installed are F32T8/841 unless otherwise specified.
- Not available with MSE360 or MSE360LB options.
- For wireguard in door frame, add "WG" to shielding. Ex: A12125WG.
- Specify voltage.
- Not available with 347 voltage.
- Battery options require a BACKPACK™ installed by the factory in order to accommodate the size of the battery. The BACKPACK is NOT field installable. May only be surface mounted using IBZSMB. Not available with pendant mount using IBZPMP or IBZ PMPHB. Not available with IMP.
- UL Listed for 55°C. Output in emergency mode varies with ambient temperature (911 lumens at 45°C). Single-lamp operation only. 120 or 277 voltage only.
- Max 3000 lumens when used with T8 lamps up to 55°C ambient temperature. Not available with IMP. 120 or 277 voltage only.
- Must be factory-installed. Not available on TIBZ 16-lamp configurations.
- Must have "IMP" power cord to power fixture.
- All cord sets are 18/3, 6', white.
- Cord sets are voltage specific. Specify voltage. Other configurations available. Consult factory.
- Specify voltage; 120, 208, 240, 277, 347 or 480.
- Recommended for heights of 30-40'. Not available with lensed units. 120, 277 or 347 voltage only.
- Recommended for heights up to 20'. Not available with lensed units. 120, 277 or 347 voltage only.
- Contact LC&D for additional system components required.
- External bottom wireguard factory installed. External top wireguard shipped separately for field installation. Not available with IBZPMP.
- When ordering IBZPMP, two-ballast configurations are recommended. Ex: 2/2. Not available with tandem units. Not available with any battery pack.
- Add WG to nomenclature if wire guard is to be installed in door frame, ex: DLIBZ14 A12125WG.
- 120 or 277 voltage only.



IBZ\_X32