



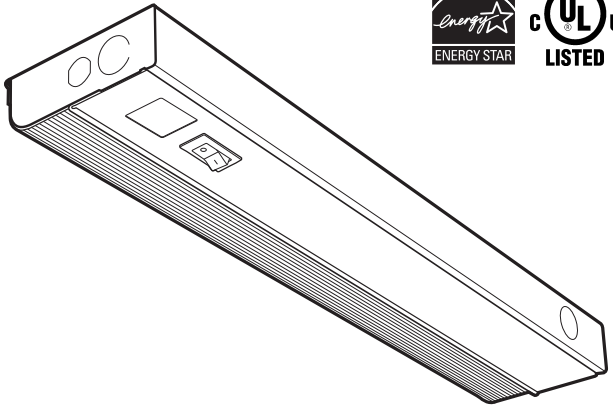
Catalog Number	
Notes	Type

Indoor General Purpose

Cabinet Light

Direct Wire - T8

Linear T8 Fluorescent



FEATURES & SPECIFICATIONS

INTENDED USE

Provides task or accent illumination in residential and light commercial applications. Ideal for use under cabinets offering shadow-free lighting in kitchens and work areas, in bookcases, display cabinets or above cabinets setting a warm, inviting atmosphere in the kitchen.

ATTRIBUTES

Rugged post painted low profile housing with snap on/off hinged service tray for quick installation and wiring. Shatter-resistant, acrylic white diffuser provides soft widespread illumination with zip-lock design for easy lamp access, cleaning and superior retention. Separate snap on/off service tray for easy maintenance. Available in four lengths, comes standard with on/off rocker switch.

Utilizes linear T8 lamp for energy efficiency, superior color rendering and long life (not included).

Standard with electronic ballast (120 volt, 60Hz) ensures no flickering and quiet operation without interfering with other home electronics. Use with non-dimmable switches only.

All mounting hardware included.

LISTING

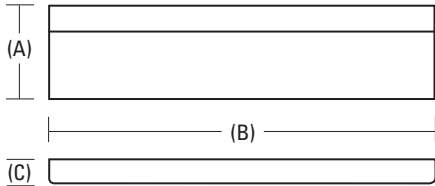
CUL listed to US and Canadian safety standards and suitable for damp locations. ENERGY STAR® qualified.

WARRANTY

Guaranteed for two years against mechanical defects in manufacture.

DIMENSIONS

Nominal Size	Lamp Configuration	Model Number	Number of Lamps	(A) Width inches (cm)	(B) Length inches (cm)	(C) Extension* inches (cm)
18"		UC8 15	(1) 15W linear T8	4" (10.2)	18" (45.7)	1-3/8" (3.5)
24"		UC8 17	(1) 17W linear T8	4" (10.2)	24-3/8" (61.0)	1-3/8" (3.5)
36"		UC8 25	(1) 25W linear T8	4" (10.2)	36-3/8" (91.4)	1-3/8" (3.5)
48"		UC8 32	(1) 32W linear T8	4" (10.2)	48-3/8" (121.9)	1-3/8" (3.5)



* Extension from ceiling

All dimensions are in inches (centimeters)

ORDERING INFORMATION

Choose the boldface catalog nomenclature that best suits your needs and write it on the appropriate line. Order accessories and replacement parts as separate catalog numbers.

Example: **UC8 15 120 SWR**

Model Number ^{1,2,3}		120	SWR
		Voltage	Rocker Switch
UC8 15	18" - (1) 15W linear T8 fluorescent lamp required	120	SWR
UC8 17	24" - (1) 17W linear T8 fluorescent lamp required	120 volt electronic ballast (standard)	Rocker switch standard
UC8 25	36" - (1) 25W linear T8 fluorescent lamp required		
UC8 32	48" - (1) 32W linear T8 fluorescent lamp required		

Accessories/Replacement parts	
DUC818	18" white acrylic diffuser
DUC824	24" white acrylic diffuser
DUC836	36" white acrylic diffuser
DUC848	48" white acrylic diffuser

Notes:
 1. **Lamps not included.**
 2. Use with non-dimmable switches only.
 3. Maximum quantity of cabinet fixtures that can be connected from a single power source can not exceed 540 watts from the lamp wattage.

Cabinet Light Direct Wire - T8 Fluorescent

PHOTOMETRICS

Full photometric data report available within 2 weeks from request. Consult factory.



Consumer Products

One Lithonia Way, Conyers, GA 30012
Phone: 800-748-5070 Fax: 770-860-3903

In Canada: 160 Avenue Labrosse, Point-Claire, P.Q., H9R 1A1
www.lightahome.com