

Catalog Number	
Notes	Type

FEATURES & SPECIFICATIONS

INTENDED USE

Motion sensor for residential or commercial motion activated security lighting around building perimeters.

CONSTRUCTION

Sensor head is UV stabilized polycarbonate with color matched lens. Sensor can be aimed in the field without the use of tools. Dark bronze (DDB) finish is standard. Optional white (DWH) finish is available.

SENSOR OPERATION

Coverage zone is 180° with a detection range up to 60 feet. Sensor has one LED indicator to confirm proper operation and deter intruders. Sensor features include dusk-to-dawn operation, power-on test mode, manual override, sensitivity and time adjustment. All sensor adjustments can be done without tools. Sensor features shown below.

ELECTRICAL

For use with lamps up to 300 watt, PAR 38 maximum incandescent (150 watt max per socket) 110-120 volt operation. Surge protection is built into sensor operation and withstands up to 4000 volts.

INSTALLATION

For use with flood kits. Sensor will install to any 1/2" standard threaded cover plate.

LISTING

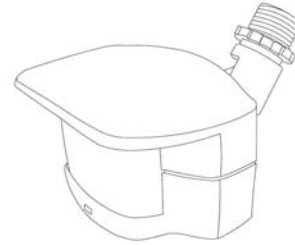
UL listed for wet locations. Listed and labeled to comply with US and Canadian standards.

Motion Activated Security Lighting

MS180

For Mounting to Universal Backplates

8' to 12' Mounting



Specifications

(Measurements vary with orientation)

Height: 1-3/4 (4.4)
 Width: 3-1/2 (8.9)
 Depth: 2 (5.1)
 Weight : .30lb.(.14kg)

All dimensions are inches (centimeters) unless otherwise specified.

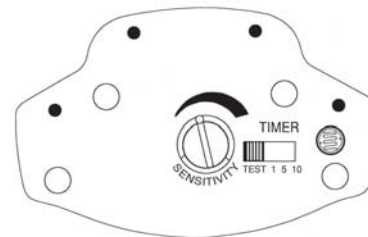
ORDERING INFORMATION

Example: **MS180 DWH**

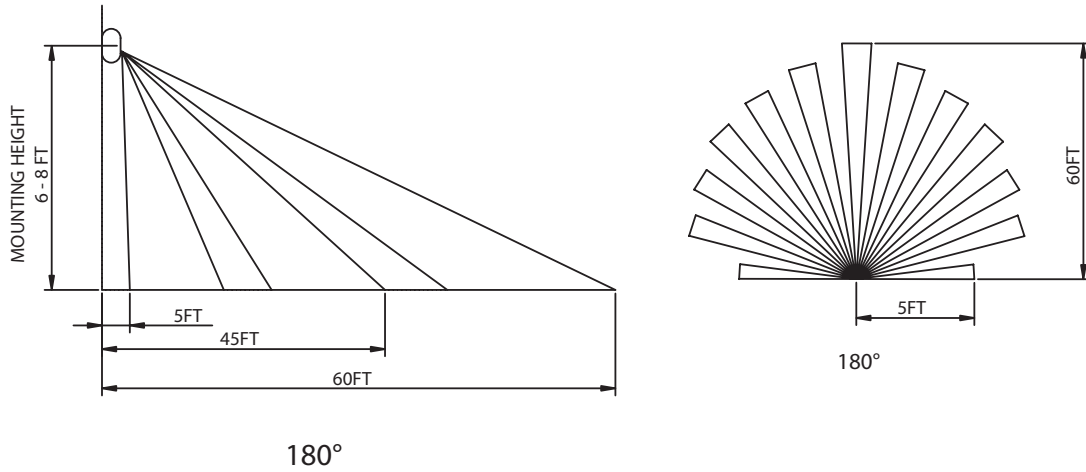
Choose the boldface catalog nomenclature that best suits your needs and write it on the appropriate line. Order accessories as separate catalog numbers (shipped separately).

MS180	
Series	Options
MS180	DDB Dark bronze (standard) DWH White

Sensor Operation Detail:



MS180 Motion Activated Security Lighting



The range stated is an approximate guideline.
Actual detection will vary depending on ambient
temperature and individual conditions.