

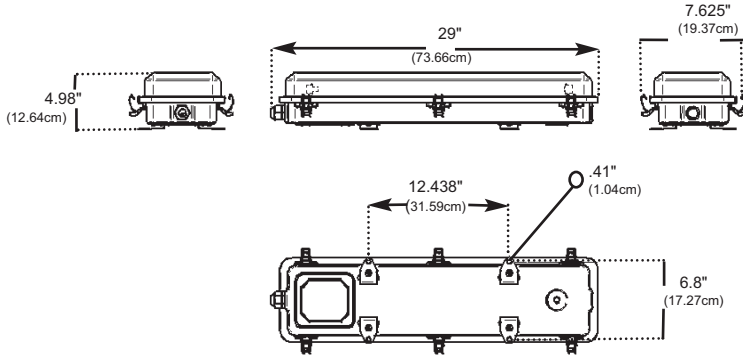
# LFSB SERIES

Snaplight® Fluorescent



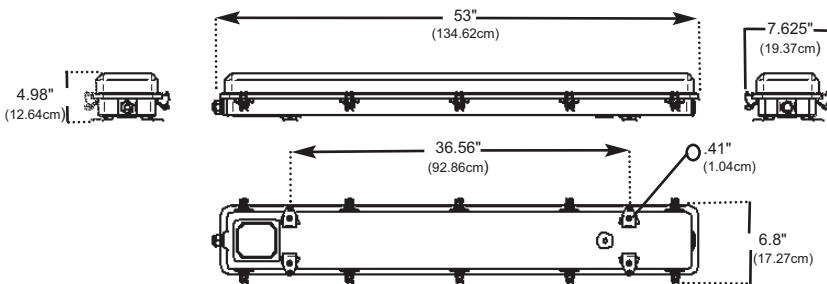
shipping weight is 8.66 lbs. (3.93 kg)

2 ft. LFSB



shipping weight is 13.44 lbs. (6.10 kg)

4 ft. LFSB



**DESCRIPTION:** The *LFSB Series* is a marine rated, surface-mounted fluorescent ceiling fixture. Available in two or four foot lengths.

## SPECIFICATIONS

**Housing:** Corrosion free high impact glass reinforced, UV stabilized nylon. Superior cold temperature impact strength.

**Diffuser:** High impact polycarbonate matte finish. Tethered to housing for easy relamping; merely unlatch and change lamp.

**Gasketing:** Watertight gasket attached to lens provides positive seal against moisture and dirt.

**Hardware:** All external hardware is captive and non-magnetic stainless steel.

**Ballast:** 120V, 60Hz, high power factor, Class P ballast standard. Alternative voltages available.

**Reflector:** Tethered to housing for ease of maintenance. Thermoset high reflectance, white polyester powder coated finish.

**Internal Fasteners:** Unique captive quarter-turn fasteners secure reflector - no need to worry about losing screws or washers while installing or servicing fixture. No tools required.

**Lamp Holders:** Vibration resistant spring loaded lamp holders standard.

**Conduit Openings:** 3/4" NPT threaded on both ends. Threaded plug and cable gland provided.

**Mounting Feet:** Standard heavy duty shock resistant stainless steel mounting feet.

**Compatibility:** Interchangeable with existing installations of similar light fixtures from other manufacturers.

**Wiring:** Additional circuit thru wiring is standard. (max two lamp 40W)

## OPTIONS

- Emergency ballast battery type
- Electronic ballast
- Low-temperature ballast
- Dimmable ballast
- Terminal block
- Colored lamp sleeves
- WT- Marine Outside Type Saltwater

## COMPLIANCES

UL 1598A Listed - Marine Outside Type Saltwater (WT option)

UL 1598A Listed - Marine Type Electric Fixture Inside Dripproof Type

UL 1598 Listed - Wet Location

UL 924 Listed - Emergency Ballast

Meets US Coast Guard Requirements

ABS

IP65 (WT option)

FS Option models are certified by the National Sanitation Foundation



**PHOENIX®**

# PHOTOMETRICS

Contact Phoenix Products Company for Photometric Information.  
Or visit our Website at [www.phoenixproducts.com](http://www.phoenixproducts.com)

## ORDERING INFORMATION

\*\*\* PLEASE NOTE: NOT ALL COMBINATIONS LISTED BELOW ARE AVAILABLE. CONTACT FACTORY WITH ANY QUESTIONS

SERIES	LAMP QTY	WATT/TYPE	OPTIONS			
			VOLTAGE (120V Standard)	HERTZ (60Hz standard)	ELECTRICAL	OTHER
<b>LFSB</b>	<b>2</b>	<b>17</b>	<b>120</b>	<b>50Hz</b>	<b>EMB</b>	<b>FS</b>
LFSB	1 2 3*	17 20 32 35 40 54 60	120 208 220 240 277 347 12 24 UNIV	50Hz 60Hz	EMB TB RFF IF** ELB*** LTB DIM DB	FS RM WT

### LAMP QUANTITY

- 1 = 1 lamp
- 2 = 2 lamps
- 3 = 3 lamps\*

\* Not available on 35 or 60 watt fixtures.

### WATT/TYPE (Base / fixture length) (lamps not included)

- 17 = F17 T-8 (Med Bi-pin, 2')
- 20 = F20 T-12 (Med Bi-pin, 2')
- 32 = F32 T-8 (Med Bi-pin, 4')
- 35 = F24 T-12HO (RDC, 2')
- 40 = F40 T-12/SP41 (Med Bi-pin, 4')
- 54 = F54T5HO (Mini Bi-pin, 4')
- 60 = F48T-12HO (RDC, 4')

### VOLTAGE OPTIONS

- (120V Standard)
- 120V = 120 Volt
- 208V = 208 Volt
- 220V = 220 Volt
- 240V = 240 Volt
- 277V = 277 Volt
- 347V = 347 Volt
- UNIV = Universal voltages (120-277V; 50/60Hz)
- 12V = 12 Volt
- 24V = 24 Volt

### ELECTRICAL OPTIONS

- EMB = Emergency Battery Backup
- TB = Terminal Block
- RFF = Radio Frequency Filter
- IF = In-line Internal Fuse\*\*
- ELB = Electronic Ballast\*\*\*
- LTB = Low Temperature Ballast
- DIM = Dimmable Ballast
- DB = Dual Ballast

\*\* Not available on marine listed fixtures

\*\*\* Electronic Ballast standard on all fixtures except 20W

## ACCESSORIES

Ordered separately for field installation

### COLORED LAMP SLEEVES

Color	Length	Phoenix Part No.
Red	2'	7529100
Red	4'	7550039
Green	2'	contact factory
Green	4'	7550040
Blue	2'	4055010
Blue	4'	7550264

N5610955C

### OTHER OPTIONS

- FS = Certified by the National Sanitation Foundation (NSF)
- RM = Rigid Mount
- WT = UL1598A Listed - Marine Outside Type Saltwater

# PHOENIX®