

## FEATURES & SPECIFICATIONS

**INTENDED USE** — Provides a minimum of 90 minutes illumination for rated wattage upon loss of AC power. Ideal for applications requiring attractive unit equipment with quick installation and unparalleled performance.

**CONSTRUCTION** — White, compact, low-profile contemporary design. Engineering-grade thermoplastic housing is impact-resistant, scratch-resistant and corrosion-proof. UL94V-0 flame rating. UV-stable resin resists discoloration from natural and man-made light sources.

Two 9W wedge-base krypton lamps offer 80 percent more light output than the standard 9W incandescent lamps.

Patented MR24, multi-faceted reflector significantly improves photometric performance – 48 percent more light delivered to the path of egress.

Tool-less access for maintenance. Rigid conduit entry on both top and sides on large units (ELM654, ELM1254, and ELM1272), and top only for small units (ELM618 and ELM627).

Universal J-box mounting pattern.

Low-profile, integrated test switch/pilot light.

Unique track and swivel arrangement permits full range lamp head adjustment.

US patent No. D-532,918. Patent-pending Quick-Mount for simple installation. Ceiling mount standard.

**ELECTRICAL** — Universal input voltage capability (120 through 277V, 50 or 60 Hz).

Current-limiting charger maximizes battery life and minimizes energy consumption. Provides low operating costs.

Short-circuit protection — current-limiting charger circuitry protects printed circuit board from shorts.

Thermal protection senses circuitry temperature and adjusts charge current to prevent overheating and charger failure.

Thermal compensation adjusts charger output to provide optimum charge voltage relative to ambient temperature.

Regulated charge voltage maintains constant-charge voltage over a wide range of line voltages. Prevents over/undercharging that shortens battery life and reduces capacity.

Filtered charger input minimizes charge voltage ripple and extends battery life.

AC/LVD reset allows battery connection before AC power is applied and prevents battery damage from deep discharge.

**DIAGNOSTICS (SD option):** Single multi-chromatic LED indicator to display two-state charging, test activation and three-state diagnostic status.

Test switch provides manual activation of 30-second diagnostic testing for on-demand visual inspection. Self-diagnostic testing for five minutes every 30 days and 30 minutes bi-annually. Automatic test is easily postponed for eight hours by activating manual test switch. Diagnostic evaluation of lamp, AC to DC transfer, charging and battery condition. Continuously monitors AC functionality.

Load learning capability self-calibrates to DC load at first test, enabling it to detect a lamp failure on future tests. It may be recalibrated at any time by holding down the test switch for 15 seconds.

**BATTERY:** Sealed, maintenance-free lead-calcium battery standard.

Sealed, maintenance-free nickel-cadmium battery optional.

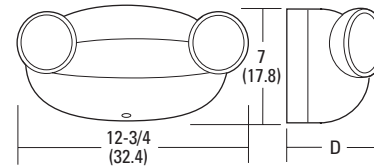
Catalog Number
Notes
Type



Thermoplastic Emergency Light

# ELM 6-12

HIGH-CAPACITY UNITS



	<u>ELM618</u>	<u>ELM627</u>
Depth :	4-3/4 (12.1)	4-3/4 (12.1)
Weight :	6.8 lbs (3.1 kg)	8.0 lbs (3.6 kg)
	<u>ELM654, ELM1254, ELM1272</u>	
Depth :	5-7/8 (14.9)	
Weight :	13.0 lbs (5.9 kg)	

All dimensions are inches (centimeters) unless otherwise specified.

Automatic recharge after a 90-minute discharge.

Low-voltage disconnect prevents excessively deep discharge that can permanently damage the battery.

Single-circuit battery connection.

**LISTING** — UL listed. Damp Location 50°F-104°F (10°-40°C) listing available. Meets UL 924, NFPA 101, NFPA 70-NEC and OSHA illumination standards.

**WARRANTY** — Three-year limited warranty.

Note: Specifications subject to change without notice.

Actual performance may differ as a result of end-user environment and application.

### ORDERING INFORMATION

For shortest lead times, configure product using **standard options (shown in bold)**.

**Example:** ELM618

Family	Face type	Options <sup>5</sup>
<b>ELM618</b> 6V, 18W	<u>6-Volt MR 24 Composite</u>	B Black housing <sup>6</sup> SD Self diagnostics <sup>8</sup>
<b>ELM627</b> 6V, 27W	<b>(blank)</b> 9W/6V krypton <sup>1</sup> <b>(blank)</b> 9W/12V krypton	N Maintenance-free ni-cad battery <sup>7</sup> RO Less heads <sup>10</sup>
<b>ELM654</b> 6V, 54W	H1206 12W/6V halogen <sup>2</sup> H1212 12W/12V halogen	TD Time delay <sup>8</sup> DL Damp location, 50°-104°F (10°-40°C) <sup>7,11</sup>
<b>ELM1254</b> 12V, 54W	H2006 20W/6V halogen <sup>3</sup> H2012 20W/12V halogen	RT Remote test <sup>9</sup> NOM NOM Certified <sup>12</sup>
<b>ELM1272</b> 12V, 72W		

Options Availability Guide									
Product	Size	SD <sup>8</sup>	TD <sup>8</sup>	RT <sup>9</sup>	N <sup>7</sup>	B <sup>6</sup>	DL <sup>7,11</sup>	RO <sup>10</sup>	NOM <sup>12</sup>
ELM618	S	■	■		■		■	■	■
ELM627	S	■	■	■	■	■	■	■	■
ELM654	L	■	■					■	
ELM1254	L	■	■		■		■	■	■
ELM1272	L	■	■	■		■		■	

Accessories: Order as separate items.	
ELA LRT	Remote test (laser) for distances up to 15'
ELA VS2	Polycarbonate vandal shield (1/8" thick) <sup>14</sup>
ELA WG2M	Wireguard (21-1/4"W x 15"H x 12"D) <sup>13</sup>
ELA MR24	Compact MR24 remote lamp head
	ELA MR24 K0606 (6W, 6V krypton)
	ELA MR24 K0906 (9W, 6V krypton)
	ELA MR24 H1206 (12W, 6V halogen)
	ELA MR24 K0912 (9W, 12V krypton)
	ELA MR24 H1212 (12W, 12V halogen)
	ELA MR24 H2006 (20W, 6V halogen)
	ELA MR24 H2012 (20W, 12V halogen)

#### Notes

- Available on ELM618, ELM627, and ELM654 only.
- Available on ELM627 and ELM654 only.
- Available on ELM654 only.
- Available on ELM1254 and ELM1272 only.
- See Options Availability Guide.
- Available on ELM627 and ELM1272 only.
- Available on ELM618, ELM627, and ELM1254 only.
- SD and TD for ELM618 and ELM1254 must be ordered with N option.
- RT not available with SD. Need to order the ELA LRT.
- Not available with any other options, except ELM1272 TD.
- Damp location listed from 50°F - 104°F (10°C to 40°C) except ELM618N, ELM627N and ELM1254N listed from 60°F - 90°F (16°C to 32°C).
- NOM available with ELM618 and ELM1254 only (not available with any other options).
- See spec sheet [ELA-WG](#).
- See spec sheet [ELA-RTLP-MS-VS2](#).

# ELM 6-12 QUANTUM® Thermoplastic Emergency Light

## SPECIFICATIONS

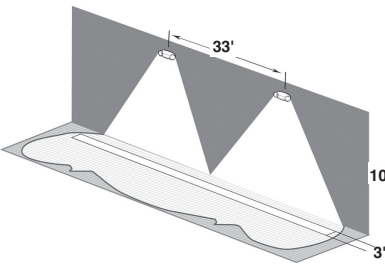
ELECTRICAL									
Primary Circuit									
Type	AC input			Output volts	Watts output				
	Volts	Amps	Max watts		1-1/2 hrs.	2 hrs.	3 hrs.	4 hrs.	
ELM618	120	.167	5.2	6	18	13.5	9	3	
	277	.072	5.6						
ELM627	120	.10	5.2	6	27	20	13.5	10	
	277	.04	5.6						
ELM654	120	.250	7.4	6	54	40.5	27	20	
	277	.108	7.4						
ELM1254	120	.250	11	12	54	40.5	27	20	
	277	.108	11.1						
ELM1272	120	.250	11	12	72	54	36	27	
	277	.108	11.1						

BATTERY				
Nickel-Cadmium				
Voltage	Shelf life <sup>1</sup>	Typical life <sup>1</sup>	Maintenance <sup>2</sup>	Optimum temperature <sup>3</sup>
6/12	3 years	7-9 years	none	32°-100°F (0°-37.8°C)

Sealed Lead calcium				
Voltage	Shelf life <sup>1</sup>	Typical life <sup>1</sup>	Maintenance <sup>2</sup>	Optimum temperature <sup>3</sup>
6/12	12 months	5-7 years	none	60°-90°F (16°-32°C)

- 1 At 77°F (25°C).
- 2 All life safety equipment, including emergency lighting for path of egress, must be maintained, serviced and tested in accordance with all National Fire Protection Association (NFPA) and local codes. Failure to perform the required maintenance, service or testing could jeopardize the safety of occupants and will void all warranties.
- 3 Optimum ambient temperature range where unit will provide capacity to 90 minutes. Higher and lower temperatures affect life and capacity. Consult factory for detailed information.

## PERFORMANCE DIAGRAMS

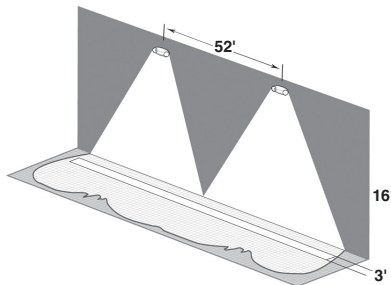


### ELM12 Performance Advantage

- 12-volt, 9-watt krypton lamp
- Typical 10-foot mounting height delivers 33 feet center-to-center spacing
- 48% increase in center-to-center spacings over competitive 12-volt higher capacity emergency lighting units.

### ELM6 Halogen Performance Advantage

- 6-volt, 20-watt halogen lamp
- Higher mounting heights deliver 50+ feet center-to-center spacing
- 73% increase in center-to-center spacings over the highest wattage lamphead available from competitive emergency lighting units

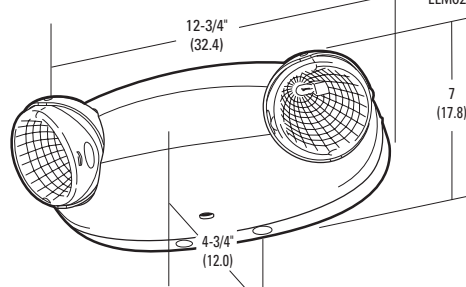


## MOUNTING

All dimensions are in inches (centimeters).

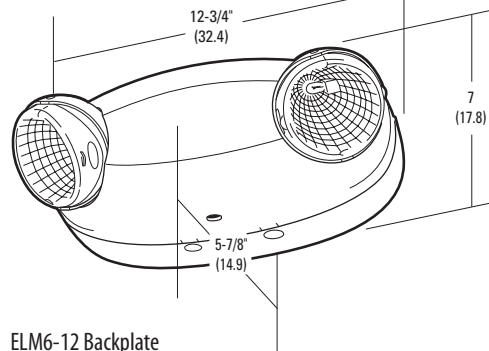
### ELM618 and ELM627 Dimensions (small housing)

Shipping weight:  
ELM618 - 6.8 lbs. (3.1 kgs)  
ELM627 - 8.0 lbs. (3.6 kgs)

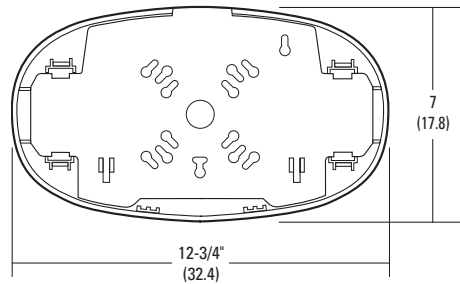


### ELM654, ELM1254 and ELM1272 Dimensions (large housing)

Shipping weight:  
ELM654 - 13 lbs. (5.9 kgs)  
ELM1254 - 13 lbs. (5.9 kgs)  
ELM1272 - 13 lbs. (5.9 kgs)



### ELM6-12 Backplate



### Recommended Center-to-Center Spacing

Lamps	Mounting height				
	7.5'	10'	12'	16'	20'
K0606	25'	N/A	N/A	N/A	N/A
K0906	25'	31'	29'	27'	23'
K0912	25'	33'	30'	29'	26'
H1212	N/A	31'	33'	39'	41'
H2006	N/A	35'	37'	52'	49'