

FEATURES & SPECIFICATIONS

INTENDED USE — For recreation areas, parking lots, building facades, car lots.

CONSTRUCTION — NEMA heavy-duty construction. Contoured, low-profile die-cast aluminum housing and front bezel. Front bezel is hinged for easy removal via position-oriented hinge-cam design. Sealed by a one piece bonded high-temperature silicone gasket.

Lens: Impact-resistant, thermal-and shock-resistant clear tempered glass.

FINISH — Standard finish is dark bronze (DDB) corrosion resistant polyester powder. Additional architectural colors are available; see www.lithonia.com/archcolors.

OPTICAL SYSTEM — Anodized aluminum reflector provides highly efficient rectangular beam pattern. Optic chamber sealed to inhibit entrance of outside contaminants.

ELECTRICAL SYSTEM — Ballast: High pressure sodium: 150W is high reactance, high power factor. Constant wattage autotransformer for 200-400W. Metal halide: 150W is high reactance, high power factor and is standard with pulse-start ignitor technology. "SCWA" not required. Constant wattage autotransformer for 175-400W. Super CWA (pulse start ballast), 88% efficient and EISA legislation compliant, is required for metal halide 151-400W (SCWA option) for US shipments only. CSA, NOM or INTL required for probe start shipments outside of the US. Pulse-start ballast (SCWA) required for 200W, 320W, or 350W. Ballast is 100% factory-tested.

Socket: Porcelain, horizontally-oriented, mogul-base socket with copper alloy, nickel-plated screw shell and center contact. UL listed 1500W, 600V, 4KV pulse rated.

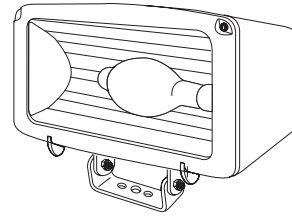
INSTALLATION — Corrosion-resistant, heavy-duty, painted steel mounting yoke standard; die-cast integral tenon slipfitter optional. All external slotted hex-head screws specially coated for corrosion-resistance.

LISTING — Listed and labeled to UL standards. Listed and labeled to CSA standards (see Options). NOM Certified (see Options). UL listed for 25°C ambient; 40°C for 250M and below or 150S and below. UL listed for wet location. IP65 rated.

NOTE: Specifications subject to change without notice.

Catalog Number	
Notes	Type

CONTOUR
SERIES



Floodlighting
TFR

Specifications

Height: 10-1/2 (26.7)
Width: 17-5/8 (44.8)
Depth: 10-3/4 (32.4)
*Weight: 27 lbs (13.2 kg)
EPA: 1.3
* Weight as configured in example below.

METAL HALIDE
150W - 400W
HIGH PRESSURE SODIUM
150W - 400W

All dimensions are inches (centimeters) unless otherwise specified.

ORDERING INFORMATION

For shortest lead times, configure product using **standard options (shown in bold)**.
Example: TFR 400M TA TB SCWA LPI

Series	Wattage/ source	Distribution	Voltage	Ballast	Options	Lamp ¹³	Finish
TFR	<u>Metal halide</u> 150M 175M 200M ¹ 250M 320M ¹ 350M ¹ 400M	TA (7 x 6)³ RB (6 x 6) RC (5 x 5)	120 208 ⁴ 240 ⁴ 277 347 480 ⁴ TB⁵ 23050HZ ⁶	(blank) Magnetic ballast CWI Constant wattage isolated SCWA Super CWA pulse start ballast	<u>Shipped installed in fixture</u> SF Single fuse (120, 277, 347V) ⁷ DF Double fuse (208, 240, 480V) ⁷ EC Emergency circuit ⁸ QRS Quartz restrike system ⁸ PER NEMA twist-lock photoelectric receptacle ⁹ IS Integral slipfitter (2-3/8" OD tenon) C22 2' 12-3 SEO cord prewired ¹⁰ C42 2' 14-3 SEO cord prewired ¹⁰ C62 2' 16-3 SEO cord prewired ¹⁰ CF Charcoal filter CSA Listed and labeled to comply with CSA Standards NOM NOM Certified INTL Available for MH probe start shipping outside the U.S.	LPI Lamp included L/LP Less lamp	(blank) Dark Bronze DNA Natural aluminum DBL Black DMB Medium bronze DWH White CR Enhanced corrosion-resistant CRT Non-stick protective coating ¹²
	<u>Ceramic metal halide</u> 150MHC			NOTE: For shipments to U.S. territories, SCWA must be specified to comply with EISA.	<u>Shipped separately¹¹</u> WG Wire guard VG Vandal guard UV Upper visor FV Full visor EY Extended yoke ¹⁰ PE1 NEMA twist-lock photocontrol (120, 208, 240V) PE3 NEMA twist-lock photocontrol (347V) PE4 NEMA twist-lock photocontrol (480V) PE7 NEMA twist-lock photocontrol (277V) SC Shorting cap for PER option		
	<u>High pressure sodium²</u> 150S 250S 400S						

Accessories:

Order as separate catalog number.

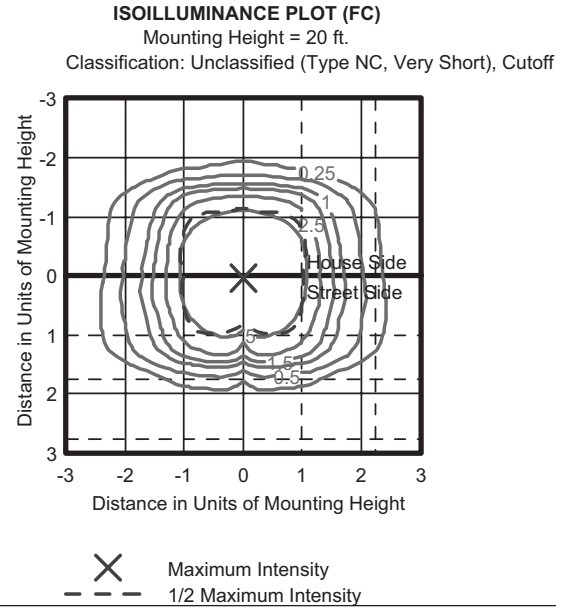
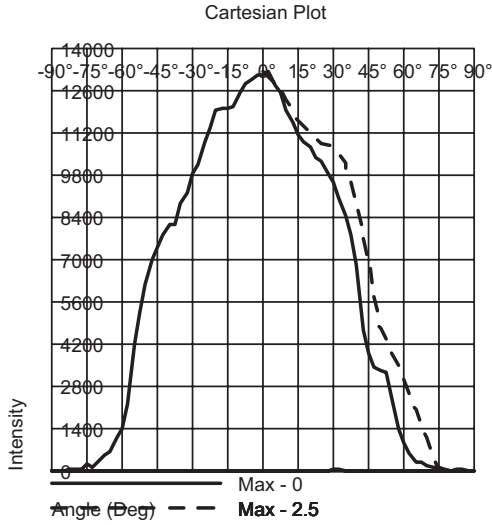
FRWB	Radius wall bracket ¹⁴
FSAB	Steel angle bracket ¹⁰
FSPB	Steel square pole bracket ¹⁴
TFRWG	Wire guard ¹⁵
TFRVG	Vandal guard ¹⁵
TFRUV	Upper visor ¹⁵
TFRFV	Full visor ¹⁵
FTS	Tenon slipfitter (2-3/8" to 2-7/8" OD Tenon) ¹⁰
FCRA	Cross-arm adaptor (horizontal) ¹⁰
FCRA45	Cross-arm adaptor (45° mount) ¹⁰
FPMB	Pipe mounting bracket ¹⁰
FWPB	Wood mounting bracket ¹⁰

NOTES:

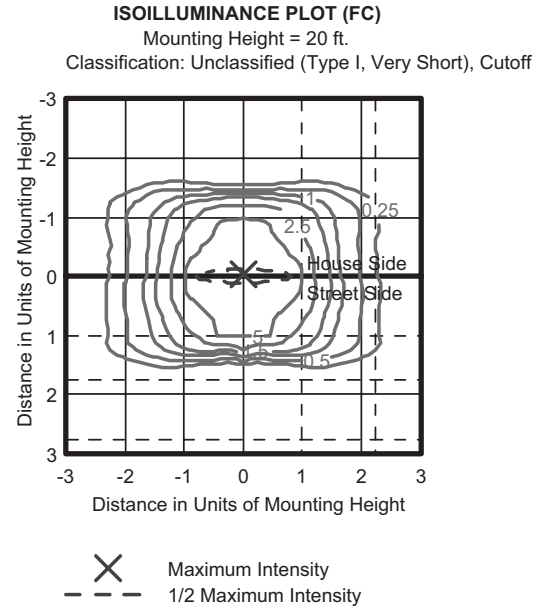
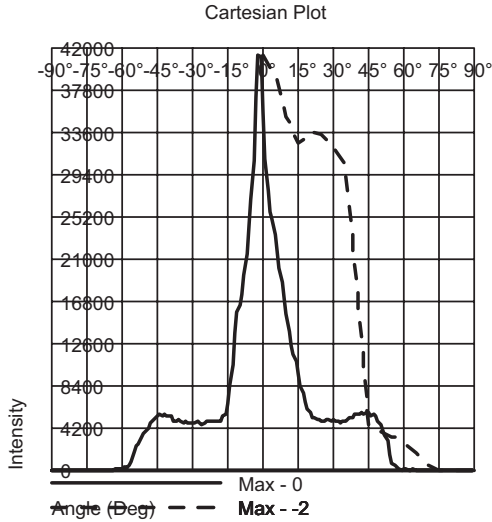
- 1 Must order SCWA.
- 2 Not available with SCWA.
- 3 Not available with 150S.
- 4 Must specify CWI for use in Canada.
- 5 Optional multi-tap ballast (120, 208, 240, 277V). In Canada 120, 277, 347V; ships as 120/347.
- 6 Consult factory for available wattages.
- 7 Must specify voltage. Not available with TB.
- 8 Maximum allowable wattage lamp included.
- 9 Photocell not included.
- 10 Yoke mounting only.
- 11 May be ordered as an accessory.
- 12 Black finish only.
- 13 Must specify.
- 15 Requires IS or FTS slipfitter.
- 15 Field modification required unless ordered with fixture.

TFR Floodlight

TFR 400M TA, 400W pulse start metal halide lamp, 40,000 rated lumens, test no. 1197100301P



TFR 400M RC, 400W pulse start metal halide lamp, 40,000 rated lumens, test no. 1197082602P



ELECTRICAL CHARACTERISTICS

Wattage/ballast	Primary voltage	Line current (Amps) Start/Operating	Primary dropout voltage	Input watts	Power factor (%)	Regulation Line V = Lamp lumens
	120	2.50/4.00	50			
400CWA	208	1.40/2.30	85			
Peak-lead	240	1.20/2.00	100	458	90+	±10% = ±10%
Autotransformer	277	1.00/1.75	115			
	347	0.80/1.40	175			
	480	0.60/1.00	200			

Tested to current IES and NEMA standards under stabilized laboratory conditions. Various operating factors can cause differences between laboratory data and actual field measurements. Dimensions and specifications on this sheet are based on the most current available data and are subject to change without notice.

NOTES:

1. Photometric data for other distributions can be accessed from the Lithonia Lighting website. (www.Lithonia.com)

Mounting Height Correction Factor

(Multiply the fc level by the correction factor)

15 ft. = 1.77

25 ft. = .64

30 ft. = .44



An Acuity Brands Company

Specification Medium Floodlights

TFR

Contour®



Ordering Information

Designation	Distribution
<u>High pressure sodium</u>	TA (7x6) (n/a 150S)
TFR 150S	RB (6x6)
TFR 250S	RC (5x5)
TFR 400S	
<u>Metal halide</u>	
TFR 150M²	
TFR 175M	
TFR 200M¹	
TFR 250M²	
TFR 320M¹	
TFR 350M¹	
TFR 400M²	

Lamp/Fixture Data					
Wattage	Dist.	Ballast	Lamp type	Beam spread H°xV°	NEMA dist.
<u>High pressure sodium (mog/clear)</u>					
150	RB	XHP	E17	114x107	6x6
150	RC	XHP	E17	100x92	5x5
250	TA	CWA	ET18	132x118	7x6
250	RB	CWA	ET18	110x104	6x6
250	RC	CWA	ET18	99x97	5x5
400	TA	CWA	ET18	132x118	7x6
400	RB	CWA	ET18	110x104	6x6
400	RC	CWA	ET18	99x97	5x5
<u>Metal halide (mog/clear)</u>					
175	TA	CWA	BT28	132x111	7x6
175	RB	CWA	BT28	121x91	6x5
175	RC	CWA	BT28	100x90	5x5
250	TA	CWA	BT28	132x111	7x6
250	RB	CWA	BT28	121x91	6x5
250	RC	CWA	BT28	100x90	5x5
400	TA	CWA	BT37	138x119	7x6
400	RB	CWA	BT37	124x107	6x6
400	RC	CWA	BT37	96x100	5x5

Intended Use

For recreation areas, parking lots, building facades and car lots.

Features

Housing – Compact, soft corner, die-cast aluminum housing and front cover. Front bezel is removable via position-oriented hinge-cam design and is fully sealed with one-piece, bonded silicone gasket. Lens is thermal- and shock-resistant clear tempered glass. Standard finish is dark bronze (DDB) corrosion-resistant polyester powder.

Optics – Die-formed, anodized aluminum reflectors provide rectangular, uniform distributions. Three available beam distributions for maximum flexibility in area lighting applications. **Does not require use of reduced-size lamp.**

Electrical – Components mounted to cast-aluminum housing, promoting maximum heat dissipation. Ballast is high-reactance HPF (70-150W HPS). 150M ballast is high reactance HPF constant-wattage autotransformer (175W and above HPS, MH),

copper wound and 100% factory tested. UL Listed.

Socket – Porcelain (medium base: 150M; mogul base: all others) horizontally oriented with copper alloy, nickel plated screw shell and center contact. UL Listed 1500W, 600V, 4KV pulse rated.

Installation – Corrosion-resistant, heavy-duty painted steel mounting yoke. External screws treated for corrosion resistance. Above-horizontal aiming standard.

Listings

UL Listed (standard) (ambient temperature 25°C for 320W and above, 40°C for 250W and below). CSA Certified or NOM Certified (see Options). UL Listed for wet locations. IP65 rated.

lightquick[®] XD

Express delivery products.

See page 11 for details about LightQuick XD.

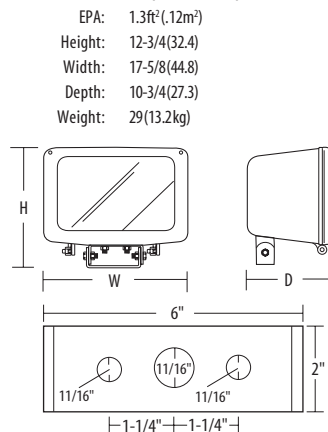
Description

TFR 400M TA TB LPI

Example: **TFR 400M TA TB LPI**

Voltage	Installed	Options/accessories
120	IS Integral slipfitter (2-3/8" O D tenon)	<u>Shipped separately</u>
208³	LPI Lamp included	TFRWG Wireguard ¹⁴
240³	L/LP Less lamp	TFRVG Vandal guard ¹⁴
277	C22 2' 12-3 cord pre-wired ¹²	TFRUV Upper visor ¹⁴
347	C42 2' 14-3 cord pre-wired ¹²	TFRFV Full visor ¹⁴
480⁴	C62 2' 16-3 cord pre-wired ¹²	FRWB Radius wall bracket ¹⁵
TB⁵	CF Charcoal filter	FSAB Steel angle bracket ¹²
TBV⁶	CSA CSA Certified ¹³	FWPB Wall/wood, pole/pipe bracket ¹²
	NOM NOM Certified (consult factory)	FSPB Steel square pole bracket (for use with existing poles) ¹⁵
	SCWA Super CWA pulse start ballast (n/a HPS or 175M)	FTS Tenon slipfitter (2-3/8" to 2-7/8" OD tenon) ¹²
		FCRA Crossarm adapter (horizontal) ¹²
		FCRA45 Crossarm adapter 45° from horizontal ¹²
		FPMB Wood pole/pipe/wall mounting bracket (includes FCRA) ¹²
		TM Tenon mount ¹⁵
		EY Extended yoke
		PE1 NEMA twist-lock photocontrol (120V, 208V, 240V) ¹⁶
		PE3 NEMA twist-lock photocontrol (347V) ¹⁶
		PE4 NEMA twist-lock photocontrol (480V) ¹⁶
		PE7 NEMA twist-lock photocontrol (277V) ¹⁶
		SC Shorting cap for PER option

Dimensions are shown in inches (centimeters) unless otherwise noted.



NOTES:

- 1 Must be ordered with SCWA.
- 2 May be ordered with SCWA.
- 3 Consult factory for availability in Canada.
- 4 Not available in Canada.
- 5 Optional multi-tap ballast (120V, 208V, 240V, 277V). In Canada 120V, 277V, 347V; ships as 120V/347V.
- 6 Optional 5-tap ballast (120V, 208V, 240V, 277V, 480V), n/a in Canada.
- 7 Not available in multi-tap ballast.
- 8 Lamp not included.
- 9 Quartz lamp wattage not to exceed ballast wattage rating.
- 10 Black finish only.
- 11 Photocell not included.
- 12 Yoke mounting only.
- 13 Not available with TBV.
- 14 Field modification required unless ordered with fixture.
- 15 Requires IS or FTS slipfitter.
- 16 PER must be ordered with fixture.

www.lithonia.com, keyword: TFR