



## FEATURES & SPECIFICATIONS

### INTENDED USE

Recessed housing rated IC. For new construction only.  
 Approved for all ceiling and wiring types.  
 Sold in resale pack of (6) only.  
 Approved for direct burial in insulation.

### CONSTRUCTION

Air-tight standard. Tested to meet current energy codes.  
 Aluminum housing with galvanized steel pan.  
 Galvanized bar hangers span up to 24" o.c. and feature stepped shank nail and positioning guide with integral T-bar locks. Two locking screws hold fixture in position.  
 Galvanized steel junction box with four built in romex clamps; five 1/2" and two 3/4" knockouts with slots for pryout. Rated for through branch wiring.  
 Maximum 4 (2in 2out) No 12 AWG conductors. Rated for 90° C.  
 Ground wire provided.  
 Removable J-box doors for easy access.

### ELECTRICAL SYSTEM

Durable medium base porcelain socket with nickel plated copper alloy screw shell and contact.  
 Socket clips to top of housing to prevent paint overspray in socket screw shell.  
 Socket attaches to reflector to ensure proper and consistent lamp position.  
 Thermal protection provided against improper lamp usage.  
 120 volt only.

### INSTALLATION

Air-tight housing suitable for air-tight installations. Refer to energy codes for proper mounting installations.  
 2 x 8 wood joist or T-bar installation.  
 Expandable bar hangers allow for off-center mounting in wood joist or T-bar ceilings. Length of 25-1/4" maximum 13-1/4" minimum or cut to fit 9" on center joist construction.  
 Vertical adjustment of housing allows for flush mounting with ceiling face.  
 Suitable for ceilings up to 1-1/2" thick.

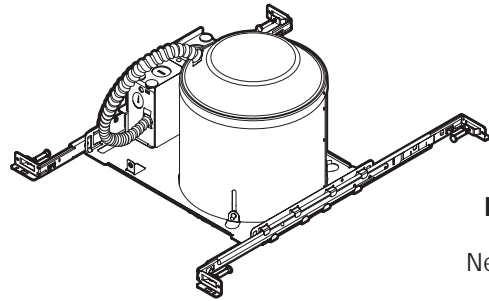
### LISTING

U.L. listed to US and Canadian safety standards. Damp location listing (See trim selection for wet location listing).

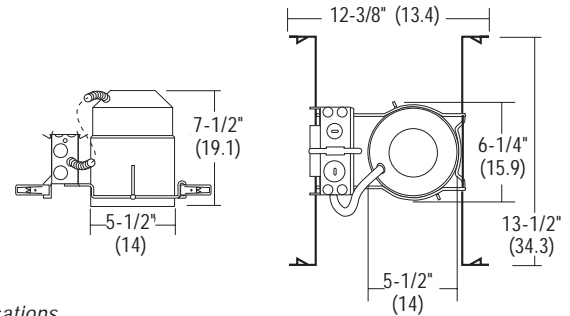
Catalog Number	
Notes	Type

5" Housing

**L5**



**INCANDESCENT**  
 IC  
 New Construction



### Specifications

Height: 7-1/2 (19.1)  
 Length: 13-1/4 (33.7)  
 Width: 12-7/8 (32.7)  
 Ceiling cutout: 5-1/2 (14)  
 All dimensions are inches (centimeters).

## ORDERING INFORMATION

For shortest lead times, configure product using **standard options (shown in bold)**.

Example: L5 R6

<b>L5</b>		<b>R6</b>
Series	Options	Options
<b>L5</b>	Shipped installed in fixture PHC Poke-home wire connectors	<b>R6 Resale pack of six</b>

### Accessories:

Order as separate catalog number.  
 ATK5 5" Airtight trim kit

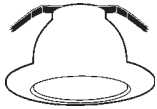
NOTE:  
 See trim summary on reverse side for maximum wattages.

# 5 Series 5" Incandescent L5 Full Reflector Trims

Description Catalog number	Maximum wattage <sup>1</sup> Sheet number	Description Catalog number	Maximum wattage <sup>1</sup> Sheet number
-------------------------------	--	-------------------------------	--

## General/Task

Open Wide Flange  
**501** White



50 R20  
65 BR30  
75 PAR30

IC/Non IC ROPN-230

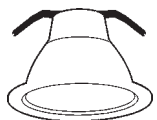
Open Narrow Flange  
**502 TOR** White



50 R20  
65 BR30  
75 PAR30<sup>2</sup>  
60 PAR38<sup>3</sup>

IC/Non IC ROPN-240

Open Narrow Flange  
**502A** Clear diffuse  
**502AZ** Clear specular anodized  
**502BLZ** Black specular anodized



50 R20  
65 BR30  
75 PAR30<sup>2</sup>  
60 PAR38<sup>3</sup>

IC/Non IC ROPN-240

Baffle Narrow Flange<sup>4</sup>  
**5B1** Black  
**5B1W** White



50 R20  
50 PAR20  
75 PAR30<sup>2</sup>

IC/Non IC RBAF-210

Baffle Deep Narrow Flange  
**5B2 TOR** Black  
**5B2W TOR** White  
**5B2ORB TOR** Oil-rubbed bronze  
**5B2BZA TOR** Antique bronze  
**5B2BN TOR** Brushed nickel

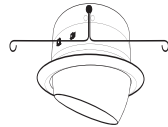


50 R20  
65 BR30  
50 PAR20  
50 PAR30  
60 PAR38

IC/Non IC RBAF-220

## Accent/Wallwash

Eyeball Narrow Flange  
**5E1** White  
**5E1ORB** Oil-rubbed bronze  
**5E1BZA** Antique bronze  
**5E1BN** Brushed nickel



50 R20  
65 BR30  
50 PAR20<sup>5</sup>  
75 PAR30<sup>5</sup>

IC/Non IC RADJ-200

## Wet Location<sup>6</sup>

WETlite™  
**5H20 TOR** White  
**5H20ORB TOR** Oil-rubbed bronze  
**5H20BZA TOR** Antique bronze  
**5H20BN TOR** Brushed nickel



75 PAR38

IC/Non IC RLNS-165

Drop Lens Narrow Flange  
**5LD1** Opal



40 A19

IC/Non IC RLNS-160

### NOTES:

- 1 Maximum wattage listed. Lower wattage lamps may be used.
- 2 Short neck.
- 3 Anodized finishes only.
- 4 Shallow trims may be used for lower lamp position.
- 5 Long neck.
- 6 Lens trim is wet location listed. All others are damp location.