



BENEFITS

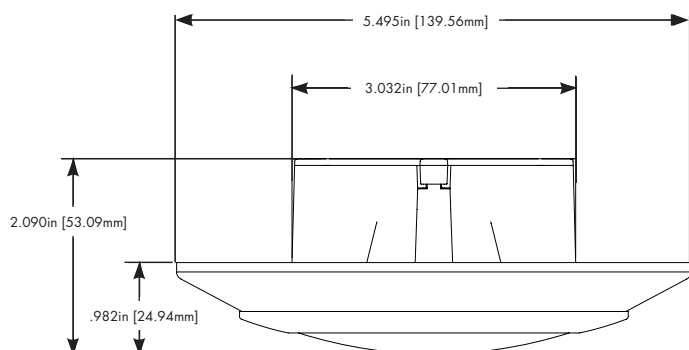
- 450 lumen WW package provides up to 20% more light than similar competitor offerings
- Can be retrofit into most 4" recessed downlight or surface mounted for new construction applications
- Designed for a 50,000 Hour Life
- Dimmable to 5%¹
- Available in 2700, 3000 or 4000K
- Environmentally friendly—contains no mercury or other hazardous materials
- IC rated when used in an approved IC rated recessed can

PRODUCT ORDERING INFORMATION

EXAMPLE: GLP4 W27 WH 120

Product	Temperature	Finish	Voltage
GLP4 Glimpse	W27 White 2700K	WH White	120 120 Volt
	WW White 3000K		
	NW White 4000K		




DIMENSIONS



4" GLIMPSE™

Using just a fraction of the material of other LED downlight modules, Glimpse skimps on nothing when it comes to performance. Designed to mirror the form of a recessed downlight in application, Glimpse can be retrofit into 4" recessed downlight by simply replacing the existing Edison base lamp and trim or, unlike any of its competitors, be surface mounted to a 4" octagonal J-Box² as a luminaire.

SPECIFICATIONS

	W27	WW	NW
Color Temperature	2700K	3000K	4000K
Lumen Output	425	450	475
Efficacy	45	47	50
Input Wattage	9.5 Watts		
Designed Life	L70 @ 50,000 hrs		
CRI	80		
Finish	White		
Voltage	120V		
Dimmable	To 5% on most dimmers ²		
Weight	.9 lbs		
Operating Temperature	-20c to +40c (25c nominal)		
Warranty	5 year		
Certifications	  		
Environment			

J-BOX INSTALLATION



CAN INSTALLATION



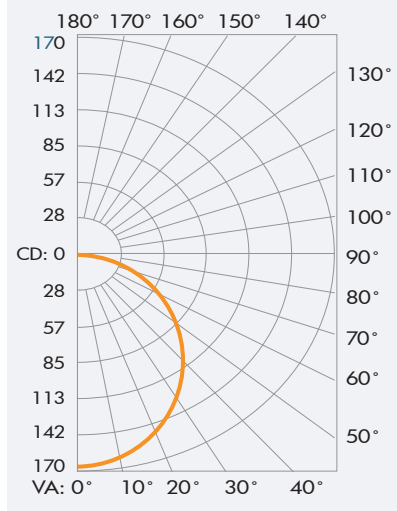
¹ See dimmer compatibility chart page 2.
² Fits 4 octagonal J-Box with min. 2.125" depth

GLIMPSE 4"

ZONAL LUMEN SUMMARY GLP4 WW WH

Zone	Lumens	% Total
0-10	15.8	3.2%
10-20	45	9.30%
20-30	67.6	13.9%
30-40	81	16.7%
40-50	8.38	17.3%
50-60	76.3	15.7%
60-70	60.1	12.4%
70-80	38.5	7.9%
80-90	17.3	3.6%
Total	485.3	100%

POLAR CANDELA DISTRIBUTION GLP4 WW WH



COEFFICIENTS OF UTILIZATION GLP4 WW WH

Effective Floor Cavity Reflectance: 20%

RCC %:	80				70				50				30				10				0					
RW %:	70	50	30	0	70	50	30	0	50	30	20	0	50	30	20	0	50	30	20	0	50	30	20	0		
RCR: 0	1.19	1.19	1.19	1.19	1.16	1.16	1.16	1.00	1.11	1.11	1.11	1.06	1.06	1.06	1.02	1.02	1.02	1.00	1.02	1.02	1.02	1.00	1.00	1.00	1.00	1.00
1	1.08	1.03	0.98	0.94	1.05	1.00	0.96	0.83	0.96	0.93	0.89	0.92	0.89	0.87	0.89	0.86	0.84	0.82	0.89	0.86	0.84	0.82	0.82	0.82	0.82	0.82
2	0.98	0.89	0.82	0.76	0.95	0.87	0.81	0.69	0.84	0.78	0.73	0.80	0.76	0.72	0.77	0.73	0.70	0.68	0.77	0.73	0.70	0.68	0.68	0.68	0.68	0.68
3	0.89	0.78	0.70	0.63	0.86	0.76	0.69	0.58	0.73	0.67	0.61	0.71	0.65	0.60	0.68	0.63	0.59	0.57	0.68	0.63	0.59	0.57	0.57	0.57	0.57	0.57
4	0.81	0.69	0.60	0.53	0.79	0.68	0.59	0.50	0.65	0.58	0.52	0.63	0.56	0.51	0.61	0.55	0.51	0.48	0.61	0.55	0.51	0.48	0.48	0.48	0.48	0.48
5	0.75	0.62	0.52	0.46	0.73	0.61	0.52	0.44	0.58	0.51	0.45	0.56	0.50	0.44	0.54	0.49	0.44	0.42	0.54	0.49	0.44	0.42	0.42	0.42	0.42	0.42
6	0.69	0.55	0.46	0.40	0.67	0.55	0.46	0.38	0.53	0.45	0.39	0.51	0.44	0.39	0.49	0.43	0.39	0.36	0.49	0.43	0.39	0.36	0.36	0.36	0.36	0.36
7	0.64	0.50	0.41	0.35	0.62	0.49	0.41	0.34	0.48	0.40	0.35	0.46	0.40	0.34	0.45	0.39	0.35	0.32	0.45	0.39	0.35	0.32	0.32	0.32	0.32	0.32
8	0.60	0.46	0.37	0.31	0.58	0.45	0.37	0.31	0.44	0.36	0.31	0.43	0.36	0.36	0.41	0.35	0.31	0.29	0.41	0.35	0.31	0.29	0.29	0.29	0.29	0.29
9	0.56	0.42	0.34	0.28	0.54	0.42	0.34	0.28	0.40	0.33	0.28	0.39	0.33	0.28	0.38	0.32	0.28	0.26	0.38	0.32	0.28	0.26	0.26	0.26	0.26	0.26
10	0.52	0.39	0.31	0.26	0.51	0.38	0.31	0.25	0.37	0.30	0.25	0.36	0.30	0.25	0.35	0.29	0.25	0.23	0.35	0.29	0.25	0.23	0.23	0.23	0.23	0.23

IN THE BOX

Whether as a retrofit module or surface mount luminaire, everything you need is included for quick installation

- | | |
|--------------------------------|--------------------------------|
| Fixture | • (1) #8 sheet metal screw |
| Edison base adaptor | • (3) wire nuts |
| Accessory kit | • (1) instruction sheet |
| • (2) 8-32 1 1/2" j-box screws | • (1) J-box adaptor |
| • (2) 8-32 3/4" j-box screws | • (4) Snap in mounting springs |
| • (1) #8 nut | |

¹ Visit www.lsgc.com/dimmer for dimmer compatibility

² Dimmer compatibility list indicates those dimmers that have been tested and operate properly under normal conditions. In certain cases, approved dimmers are offered in higher wattage varieties that are also compliant and allow the installation of additional lamps if kept within the maximum inrush current equivalent provided in the table. Each application is unique and various factors such as load, common neutrals or other electrical products on the circuit can, in certain instances, cause variance in system performance. Consult dimming system manufacturer for additional support in operation.

DIMMER COMPATIBILITY

Ace	34050, 3027596
Leviton	6633-PL, 6684, 6631, IPI06-1LX
Lutron	RRD-10ND, SZ-6ND, HW-RPM-4A-120, HxD-6ND, QSG-6P, LP-RPM-4A-120, PHPM-WBX, S-600PR-WH, DV-600PR-WH, TG-600PR-WH, AY600P, Q600P, GL600, CN-600PHW, DV-603PG, S-600, S-600P, LG-600P, D-600PH, TT-300NLH, TG-603PG, DV-600PR-WH
Legrand	DrRD4W

RECESSED CAN COMPATIBILITY

All-Pro	ET400R, EI400 ATSB, ET 400 ATSB, ET400R ATSB
Halo	H99RTAT, H99RT
Commercial Electric	HBR2000R, HBR2000BA
Commercial Electric	H3, H17, H18
Juno	TC1R, TC1, IC1
Lithonia Lighting	L3, L3R

J-BOX COMPATIBILITY

Works with most metal 4" octagonal J-Boxes with min. 2.125" depth

RECOMMENDED NUMBER OF FIXTURES PER 600 WATT DIMMER²

While an LED fixture may draw as few as 15 watts continuously, it could have an in-rush current spike (maximum, instantaneous input) which may limit the number of fixtures you can install on one dimmer. The following table provides a recommended maximum quantity of Glimpse that should be used on a typical approved 600W dimmer.

GLIMPSE	Lamp In-Rush Current Equivalent	Max # of Lamps per 600W Dimmer
4"	80 W	7

CAUTIONS

- Risk of Electric Shock. WARNING: LED Retrofit Kit installation requires knowledge of luminaires electrical systems. If not qualified, do not attempt installation. Contact a qualified electrician. Install this kit only in the luminaires that have the construction features and dimensions shown the installation guide. Do not leave any open holes in an enclosure of wiring or electrical components. Only those open holes indicated in the installation drawings may be made or altered as a result of kit installation.
- To prevent wiring damage or abrasions, do not expose wiring to edges of sheet metal or other sharp objects.
- To prevent early lamp failure, lamp should only be used in operating environments ranging from -20° C to +40° C
- Disconnect power at fuse or circuit breaker before installing or servicing.
- This product is not intended for use in emergency light fixtures or exit signs.
- Not for use where exposed directly to the water
- Turn off power before inspection, installation, or removal.
- The Glimpse is suitable for Damp Locations
- Use only on 120 VAC, 60Hz circuits
- The Luminaire is a retrofit conversion for use with recessed incandescent ceiling fixtures identified in the manufacturers installation instructions at www.LSGC.com.
- This device complies with Part 15 of the FCC rules and has been tested and found to comply with the limits for a Class B digital device. These limits are designed to provide reasonable protection against harmful interference in a residential installation. This equipment generates, uses and can radiate radio frequency energy and, if not installed and used in accordance with the instructions, may cause harmful interference to radio communications. Any changes or modifications not expressly approved by the manufacturer could void the user's authority to operate the equipment.