

LED-8089M 80W LED for HID Retrofit for Shoebox/Wallpack



Models

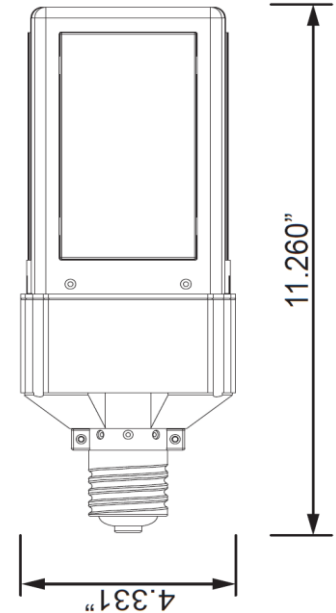
LED-8089MXX, 120-277VAC, ULus, 4000K or 5000K CCT, E39
 LED-8089MXXC, 120-347VAC, cUL, 4000K or 5000K CCT, E39

Features

- > 80W LED Replaces 250W MH or HPS HID Lamps
- > Rotatable base enables user to accurately direct output to target
- > Designed for Horizontal installations
- > UL approved for damp environments and enclosed fixtures
- > Advanced active cooling: Active cooling and dynamic temperature control
- > 50,000 hour rated LED life (supported by LM80 and ISTMT reports (see website))
- > 5 Year Limited Warranty - see website for details
- > Rated for enclosed fixture



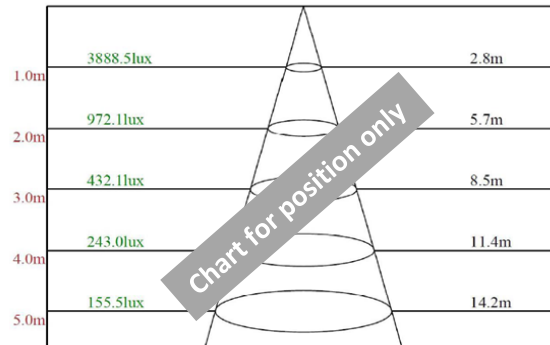
Type V



Technical Specifications

Models US/CAN	LED-8089M40		LED-8089M50	
	4000K	5000K	4000K	5000K
CCT	4000K	5000K	4000K	5000K
Power Consumption	80 watts			
Replaces	250 MH/HPS			
Mounting	E39			
Voltage	120-277VAC (USA) 120-347VAC (CANADA)			
LED Type	CREE XTE			
Beam Angle	Type V			
Dimmable	No			
Operating Temp	-40°F - +122°F			
Rated R70 Life	Up to 50,000 Hrs.			
Warranty	5 Year Limited*			
LM79 Specifications	Yes	No	Yes	No
Power (W)	80.59		80.23	
CCT	3988		5482	
Light Output	6910		7403	
Efficacy	85.75		85.75	
THD @ 277V	19%		19%	
PF @ 277V	0.917		0.854	
CRI:	72.5		69.5	
R9	0		0	
Duv	0.002		0.006	
Packaging	9 / Master Carton			
Unit	6.6"x 6.6"x 12.9" 2.9lbs.			
Master	20.7"x 18.5" x 13.8" 25.5 lbs.			

Lux Distance Curve



Beam angle of C90plane109.74

Installation Notes:

- Ballast must be bypassed
- Installing surge/lightning protectors is highly recommended

LED Power Consumption (Watts)	HID Power Consumption (Watts)	HID Ballast Power Consumption (Watts)	Total Savings (Watts)	Annual Energy Savings (14 hrs/day)	Lifetime Energy Savings (over 50,000 hrs)
80	250	50	220	\$124	\$1,210.00

Mounting Orientation			Minimum Fixture Size Requirements (inches)	
Base Up	Base Down	Horiz	Length	Width
			13.26	6.33
Approved	Approved	Approved	Height	6.33
			Cu. Inches	531.3



188 S. Northwest Highway • Cary, IL 60013
 (847) 380-3540 • FAX: (847) 380-3542
 www.led-llc.com