

# LED-8029E-A 24W LED for HID Retrofit for Post Top / Area



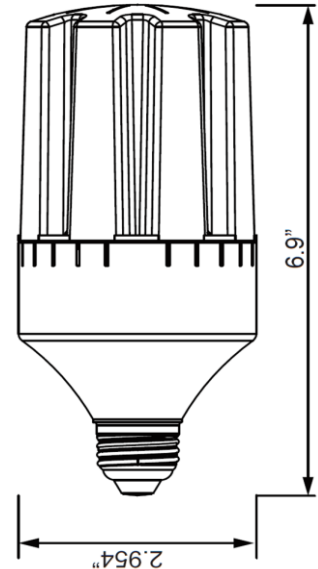
## Models

LED-8029EXX-A, 120-277VAC, cULus, 3000K, 4000K or 5700K CCT, E26

LED-8029EXXC-A, 347VAC, cUL, 3000K, 4000K or 5700K CCT, E26

## Features

- > 24W LED Replaces 100W MH or HPS HID Lamps
- > UL approved for damp environments and enclosed fixtures
- > Advanced active cooling: Active cooling and dynamic temperature control
- > 50,000 hour rated LED life (supported by LM80 and ISTMT reports (see website))
- > 5 Year Limited Warranty - see website for details
- > Rated for enclosed fixture



## Illuminance Plots

	Illuminance at a Distance	
	Center Beam fc	Beam Width
17.0R	0.63 fc	
34.0R	0.16 fc	
51.0R	0.07 fc	
68.0R	0.04 fc	
85.0R	0.03 fc	
102.0R	0.02 fc	

## Installation Notes:

- Ballast must be bypassed
- Installing surge/lightning protectors is highly recommended

Technical Specifications						
Models US/CAN	LED-8029E30-A	LED-8029E30C-A	LED-8029E40-A	LED-8029E40C-A	LED-8029E57-A	LED-8029E57C-A
CCT	3000K	3000K	4000K	4000K	5700K	5700K
Power Consumption	24 watts					
Replaces	100 MH/HPS					
Mounting	E26					
Voltage	120-277VAC (USA & CAN) 347V (Canada)					
LED Type	2835					
Beam Angle	360°					
Dimmable	No					
Operating Temp	-40°F - +122°F					
Rated R70 Life	Up to 50,000 Hrs.					
Warranty	5 Year Limited*					
LM79 Specifications	Yes	Yes	Yes	Yes	Yes	Yes
Power (W)	23.22	22.64	22.43	22.52	22.14	22.14
CCT	2965	2948	4026	4089	5772	5746
Light Output	2362	2379	2656	2712	2667	2880
Efficacy	102	105	118	120	120	120
THD @ 277V	10%	16%	10.61%	16.29%	10.12%	17%
PF @ 277V	99	97	99	97	99	97
CRI:	82.6	81.9	84.4	84.7	85.2	84.8
R9	8	5	15	16	16	14
Duv	0.0002	-0.0003	-0.0009	-0.0001	0.0011	0.0019
Packaging	9/ Master Carton					
Unit	4.7" x 4.7" x 8.9" 1.2 lbs.					
Master	14.8" x 14.8" x 9.5" 12 lbs.					

LED Power Consumption (Watts)	HID Power Consumption (Watts)	HID Ballast Power Consumption (Watts)	Total Savings (Watts)	Annual Energy Savings (14 hrs/day)	Lifetime Energy Savings (over 50,000 hrs)
24	100	20	96	\$54	\$528

Mounting Orientation			Minimum Fixture Size Requirements (inches)	
Base Up	Base Down	Horiz	Length	Width
			8.9	4.9
Approved	Approved	Approved	4.9	4.9
			Cu. Inches	213.7



188 S. Northwest Highway • Cary, IL 60013  
(847) 380-3540 • FAX: (847) 380-3542  
www.led-llc.com