

LED 13W PAR30 75w Replacement, UL / Energy Star 40° Beam

13w = 75-90W
LED Incandescent

Stock No.	Product Description
LED-1736-30K	PAR30-40-13-1-3000K 13w 820 lumens Dimming
LED-1736-50K	PAR30-40-13-1-5000K 13w 900 lumens Dimming
LED-1736-30K-277	PAR30-40-13-1-3000K 13w 820 lumens Non-Dimming

Description:

PAR30 LED lamp, fully encapsulated, 13 Watt, E26 medium base. Replaces 75w PAR30 halogen/ incandescent or equivalent CFL. Single COB LED design provides a wide 40° beam provides attractive spot illumination. Dimmable with CFL/LED compatible dimmer

- 13w power consumption
- 40° Beam angle
- 120VAC Dimmable
- 277VAC Non-Dimmable
- Available in 3000K or 5000K CCT
- >80 CRI
- 50,000 Rated L70 LED life
- White finish
- UL Listed (US & C)
- Energy Star rated (3000K)
- 5 Year warranty

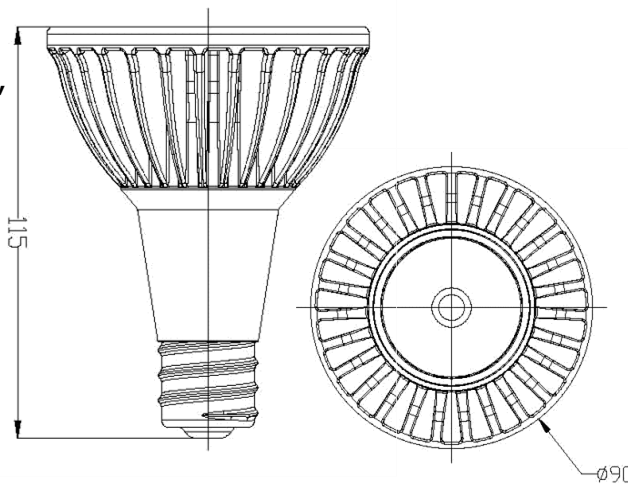
Applications:

The 13w LED lamp has been designed to retrofit existing incandescent and/or CFL installations in recessed fixtures, thereby reducing maintenance and energy expenditures - and as an energy saving light source for new fixtures and installations.

- Task lighting
- Hospitality lighting
- Recessed down-lighting
- Residential lighting

Packaging:

Master-pack: 25 each



Technical Specifications			
Bulb Type	PAR30	Mounting	E26 Edison Base
Bulb Material	Aluminum/Plastic	LEDs:	1 COB LED
Power Consumption	13 watts	Beam Angle	40 °
Lumens	820-900 Lumens	Dimmable	Yes (120V only)
Efficacy	69 Lumens / watt	Replaces	75w-90w Halogen
Rated LED Life	Up to 50,000 Hrs.	CCT	3000K 5000K
Power Factor:	>90	CRI:	> 80
IR / UV	None	Mercury / Lead Content	None
Warranty	5 year Limited	Dimensions	4.5" X 3.5"

Note: All specification information falls within a ± 2% range and is subject to change without notice.

NOTE: Light Efficient Design is providing this information to the general public. Please note that all products contained herein are trademarked, copyrighted, and/or have patents pending. Any use of these designs is strictly prohibited without prior written consent. Light Efficient Design protects its proprietary information vigorously in the courts of the United States of America.



106 S. Wynstone Park Drive • N. Barrington, IL 60010
(847) 380-3540 • FAX: (847) 380-3542
www.led-llc.com