

# LED 8W PAR20 60w Replacement, UL / Energy Star 40° Beam

<b>8w = 60W</b>
LED                      Incandescent

**Stock No.**  
**LED-1735-30K**  
**LED-1735-50K**

**Product Description**  
**PAR20-40-6-1-3000K 6w 550 lumens Dimming**  
**PAR20-40-6-1-5000K 6w 600 lumens Dimming**

**Description:**

PAR20 LED lamp, fully encapsulated, 8 Watt, E26 medium base. Replaces 60w PAR20 halogen/ incandescent or equivalent CFL. Single COB LED design provides a wide 40° beam provides attractive spot illumination. Dimmable with CFL/LED compatible dimmer

- 8w power consumption
- 40° Beam angle
- 120VAC Dimmable
- Available in 3000K or 5000K CCT
- >80 CRI
- 50,000 Rated L70 LED life
- White finish
- UL Listed (US & C)
- Energy Star rated (3000K)
- 5 Year warranty

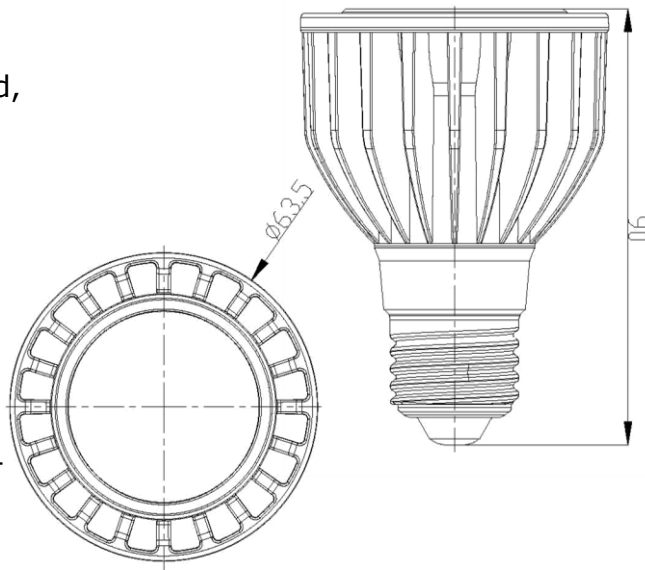
**Applications:**

The 8w LED lamp has been designed to retrofit existing incandescent and/or CFL installations in recessed fixtures, thereby reducing maintenance and energy expenditures - and as an energy saving light source for new fixtures and installations.

- Task lighting
- Hospitality lighting
- Recessed down-lighting
- Residential lighting

**Packaging:**

Master-pack: 25 each



Technical Specifications			
<b>Bulb Type</b>	PAR20	<b>Mounting</b>	E26 Edison Base
<b>Bulb Material</b>	Aluminum/Plastic	<b>LEDs:</b>	1 COB LED
<b>Power Consumption</b>	8 watts	<b>Beam Angle</b>	40 °
<b>Lumens</b>	550-600 Lumens	<b>Dimmable</b>	Yes (120V only)
<b>Efficacy</b>	75 Lumens / watt	<b>Replaces</b>	60w Halogen
<b>Rated LED Life</b>	Up to 50,000 Hrs.	<b>CCT</b>	3000K 5000K
<b>Power Factor:</b>	>90	<b>CRI:</b>	> 80
<b>IR / UV</b>	None	<b>Mercury / Lead Content</b>	None
<b>Warranty</b>	5 year Limited	<b>Dimensions</b>	2.5" X 3.5"

Note: All specification information falls within a ± 2% range and is subject to change without notice.

NOTE: Light Efficient Design is providing this information to the general public. Please note that all products contained herein are trademarked, copyrighted, and/or have patents pending. Any use of these designs is strictly prohibited without prior written consent. Light Efficient Design protects its proprietary information vigorously in the courts of the United States of America.



106 S. Wynstone Park Drive • N. Barrington, IL 60010  
 (847) 380-3540 • FAX: (847) 380-3542  
[www.led-llc.com](http://www.led-llc.com)