

LED-8029 Post Top / Bollard / Site

24w = 100W
LED MH / HPS

Stock No.
LED-8029-NW
LED-8029-DL

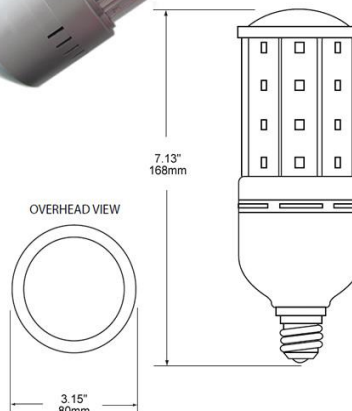
Product Description
PT-120/277-24-50-NW (3000K)
PT-120/277-24-50-DL (5700K)



Description:

LED retrofit design to replace MH and HPS lamps up to 100w. Fully encapsulated, 24 watt LED with E26 Edison base. Small, compact size and omni-directional LED placement allows suitable for fully enclosed bollards and other typical HID fixtures giving full 360° illumination.

- 24W power consumption
- Replaces up to a 100W HID
- 360° illumination
- 120-277VAC, Non-Dimmable
- Available in 3000K or 5700K CCT
- >80 CRI
- 50,000 hr. rated L70 LED life
- Operating temp: -40°F - 122°F
- UL Listed Damp (US & CA)
- 5 Year warranty



Applications:

LED Post top / Bollard / Site LED for HID retrofit lamps lower energy costs, bulb and ballast replacement costs and also can greatly reduce costly equipment rental when re-lamping HID lamps on and off cycle. LED for HID retrofits will also eliminate lamp disposal issues due to the mercury content in many HID lamps.

- Outdoor area lighting
- Bollard / Post Top
- Wall Pack
- Cold display
- Security Lighting

Packaging: 9/Master Carton

Unit : 4.7" x 4.7" x 8.9"
Master: 14.8" x 14.8" x 9.5"

Technical Specifications			
Bulb Type	HID Retrofit	Mounting	E26
Bulb Material	Aluminum/ Polycarbonate	LEDs:	50 Samsung #5630 SMD LED's
Power Consumption	24 watts	Beam Angle	360 °
Lumens	3000K: 1800 Lm 5700K: 1950 Lm	Dimmable	No
Efficacy	75/80 Lumens per watt	Replaces	Up to 100W HID
Rated LED Life	Up to 50,000 Hrs.	CCT	3000K 5700K
Power Factor:	>99	CRI:	> 80
IR / UV	None	Mercury/ Lead Content	None
Warranty	5 year Limited	Dimensions	3.15" X 7.13"

Note: When retrofitting LED to HID fixture, ballast must be by-passed when present. Eliminating the ballast saves additional costs related to maintenance, energy consumption and performance. Additionally, by-passing ballast will insure no RFI interference.

Note: All specification information falls within a ± 2% range and is subject to change without notice.

NOTE: Light Efficient Design is providing this information to the general public. Please note that all products contained herein are trademarked, copyrighted, and/or have patents pending. Any use of these designs is strictly prohibited without prior written consent. Light Efficient Design protects its proprietary information vigorously in the courts of the United States of America.



106 S. Wynstone Park Drive • N. Barrington, IL 60010
(847) 380-3540 • FAX: (847) 380-3542
www.led-llc.com