

LED R / PAR Dimmable Series



Stock No.	Product Description
LED-1714	R20-120-8-45-SW (Soft White)
LED-1715	R20-120-8-45-DL (Daylight)

Description:

Fully encapsulated, 120 Volt, 8 Watt, screw-in R20 medium base mounting that integrates energy saving LED technology into a standard R20 format. Available in Soft White (SW) or Daylight (DL).

- Medium screw in base
- 8 Watt, 120 Volt operation
- Remote transformer not required
- Operates off of standard house current
- Soft White SW (2700K)
- Daylight DL (5700K)
- Compare to 40W
- 45 on-board SMD LED diodes
- Up to 50,000 hour lamp life.
- Very low heat output.
- Dimmable*
- 5 year warranty.
- UL listed
- Patented: US D645,986

Applications:

The R20 8W lamp has been designed to retrofit existing R20 and PAR20 installations, thereby reducing maintenance and energy expenditures - and as an energy saving light source for new fixtures and installations.

- Recessed lighting Retail display applications
- Task lighting
- Recessed downlighting
- Hospitality and institutional
- Residential lighting

*Dimming:

Contact sales@led-llc.com for a full list of compatible incandescent dimmers.

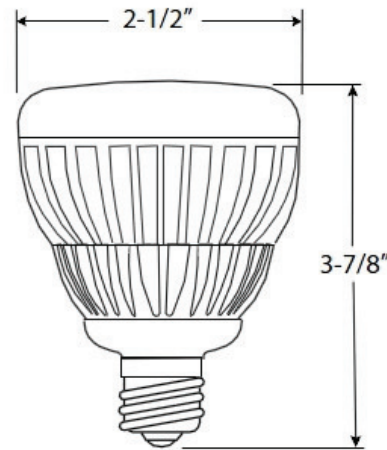
Packaging:

Master pack: 24 lamps

lighting facts A Division of IESNA	
Light Output (Lumens)	434
Watts	7.4
Lumens per Watt (Efficacy)	59
Color Accuracy (Color Rendering Index CRI)	85
Light Color (Correlated Color Temperature, CCT)	2783 (Warm White)
Warm White	2700K
Bright White	4000K
Daylight	5000K
Ultra Daylight	6500K

All results are according to IESNA (LM-79-07) approved method for the Electrical and Photometric Testing of Solid State Lighting. The U.S. Department of Energy (DOE) verifies product test data and results.
Visit www.lightingfacts.com for the Label Reference Guide.
Registration Number: 8486-1A0523 (9/07/2011)
Model Number: LED-1714
Type: Recessed Lamp - Directional (R20, PAR20)

LED-1714



Technical Specifications:

Lamp Type:	R20, PAR20	Base Type:	E26 Med. Base
Bulb Material:	Glass / Aluminum	Input Voltage:	AC 120V
Replaces:	40W	Output Power:	8W
Dimensions:	3-7/8" x 2-1/2"	Beam Angle:	105 °
Light Source:	45pc SMD LED	Color:	(SW) est. 2700K (DL) est. 5700K
Dimmable:	Yes	Lumens / Watt:	55 (SW) / 60 (DL)
CRI:	85	Life Time:	Up to 50,000 Hrs.
Lumens:	435SW / 470DL	Inert Gases:	No
UV / IR Radiation:	No		

Note: All specification information falls within a ± 2% range and is subject to change without notice.

NOTE: Light Efficient Design is providing this information to the general public. Please note that all products contained herein are trademarked, copyrighted, and/or have patents pending. Any use of these designs is strictly prohibited without prior written consent. Light Efficient Design protects its proprietary information vigorously in the courts of the United States of America.

108 S. Wynstone Park Drive • Suite 103 • N. Barrington, IL 60010
(847) 380-3540 • FAX: (847) 380-3542
www.led-llc.com