

M1636-T



UPC Code: 07847736427

Country Of Origin: Mexico

*Eligible for ARRA funded projects > \$7,443,000

NEMA:
5-20R



M1636-T

Brand Features

The Lev-Lok® Modular Wiring Device System is engineered for fast and easy installation. These devices employ a simple twist and lock wiring module that ensures a safe, reliable connection while at the same time providing for extremely fast and easy installation. Lev-Lok brand wiring devices address the reliability and performance concerns of specification engineers without sacrificing the contractor's need for fast, easy installation. Available in extra heavy duty hospital and industrial grades, and heavy duty commercial grade platforms.

Item Description

20 Amp, 125 Volt, NEMA 5-20R, 2P, 3W, Lev-Lok® Duplex Receptacle, Decora Plus, Straight Blade, Commercial Grade, Self-Grounding, Modular Terminals, Steel Strap - LIGHT ALMOND

Mating Lev-Lok Wiring Module Required for Use

Technical Information

AC Horsepower Ratings

Horsepower Rating: 1 HP

Electrical Specifications

Dielectric Voltage: Withstands 2000V per UL498

Grounding: Self-Grounding

Temperature Rise: Max 30C after 250 cycles OL at 200 percent rated current

Maximum Working Voltage: 125V as rated

Voltage: 125 Volt

Current Interrupting: Certified for current interrupting at full rated current

Amperage: 20 Amp

Wire: 3

Pole: 2

Environmental Specifications

Operating Temperature: -40C to 60C

Flammability: Rated V-2 per UL94

Material Specifications

Mounting Strap: Galvanized Steel with Riveted Ground Contacts

Ground Clips: Brass

Mounting Screws: Triple Combination Head, Steel

Cover Material: Nylon

Line Contacts: 0.040" Thick Solid Brass

Locking Pins: Solid Brass

Base Material: Nylon

Mechanical Specifications

Product ID: Ratings are permanently marked on device

Termination: Modular Terminals

Product Features

Color: Light Almond

NEMA: 5-20R

Standards and Certifications

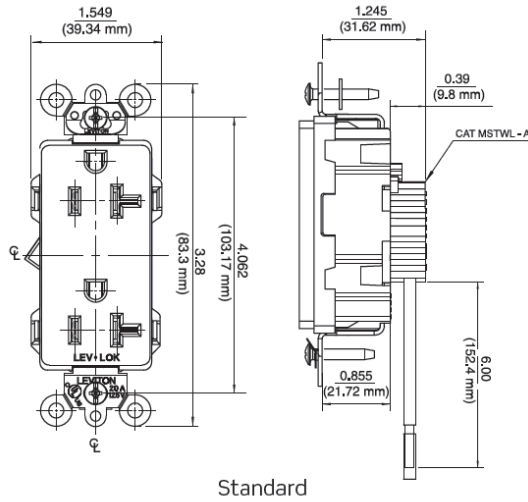
cULus: Listed

Warranty: 10 Year Limited

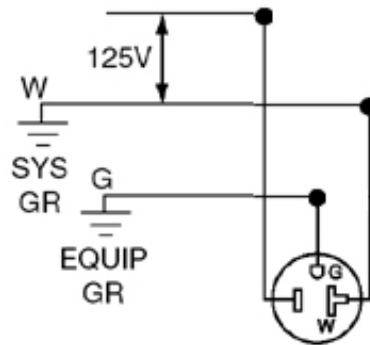
NOM Certified: 057

ANSI: C-73

NEMA: WD-1 & WD-6



Wiring Diagram



5-20R

SPECIFICATION SUBMITTAL

JOB NAME:	CATALOG NUMBERS:	
<input type="text"/>	<input type="text"/>	<input type="text"/>
JOB NUMBER:	<input type="text"/>	<input type="text"/>

Leviton Manufacturing Co., Inc.

201 North Service Road, Melville, NY 11747

Teléfono: +1-800-323-8920 · FAX: +1-800-832-9538 · Tech Line (8:30AM-7:30PM E.S.T. Monday-Friday): +1-800-824-3005

Leviton Manufacturing of Canada, Ltd.

165 Hymus Boulevard, Pointe Claire, Quebec H9R 1E9 · Telephone: +1-800-469-7890 ·

FAX: +1-800-824-3005 · www.leviton.com/canada

Leviton S. de R.L. de C.V.

Lago Tana 43, Mexico DF, Mexico CP 11290 · Tel.: (+52)55-5082-1040 · FAX: (+52)5386-

1797 · www.leviton.com.mx

Visit our Website at: www.leviton.com

© 2012 Leviton Manufacturing Co., Inc. Todos los derechos reservados. Subject to change without notice.

Leviton has a global presence.

If you would like to know where your local Leviton office is located please go to:

www.leviton.com/international/contacts/



**Leviton is the smart choice, providing the most comprehensive range of solutions to meet the needs of today's residential, commercial and industrial buildings. Leveraging more than a century of experience, Leviton helps customers create sustainable, intelligent environments through its electrical wiring devices, network and data center connectivity solutions, and lighting energy management systems. From switches and receptacles, to daylight harvesting controls, networking systems, and equipment for charging electric vehicles, Leviton solutions help customers achieve savings in energy, time and cost, all while enhancing safety.*